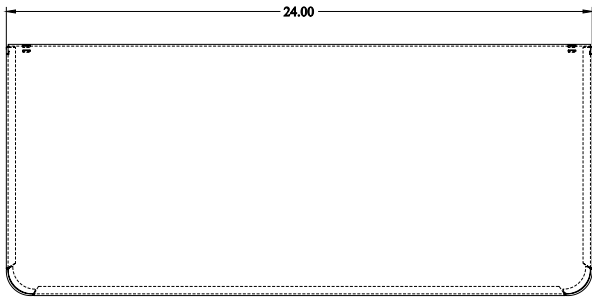


PART No. 1472-24W

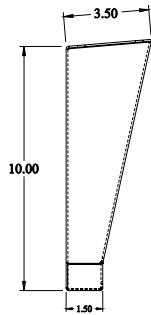
for more information visit
www.hammfg.com

Data subject to change without notice

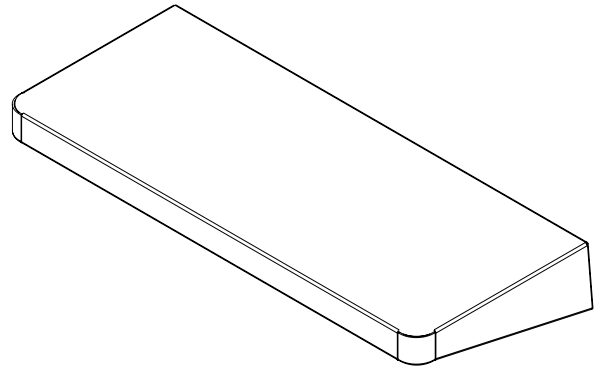
Isometric drawing Not to Scale



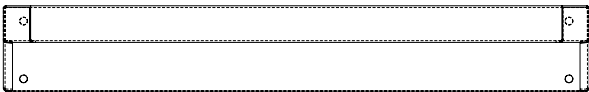
TOP VIEW



SIDE VIEW



ISOMETRIC VIEW



FRONT VIEW