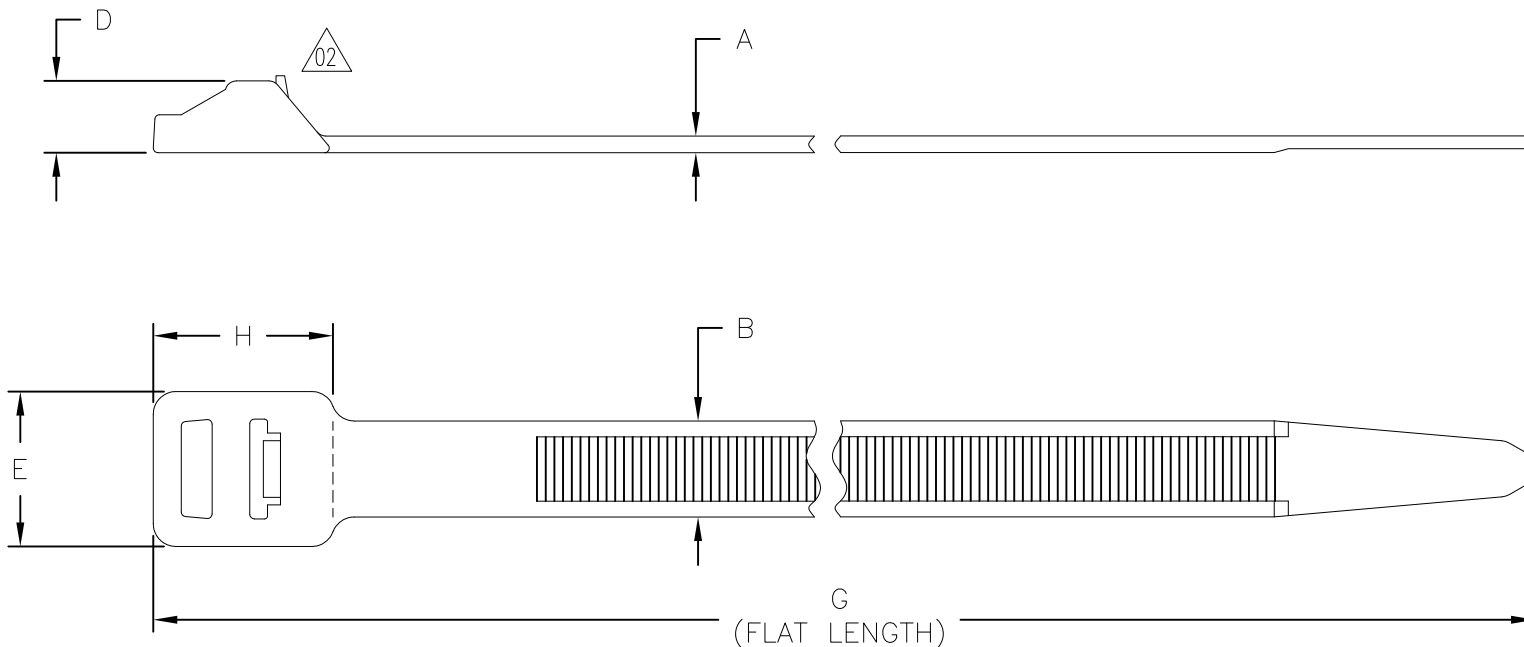


Revision level		Revision Record	Changed	Date	Approved	Date
part	drawing					
-	02	See ECN 011820	A.A.C.	04/22/11	K.A.C.	04/22/11



PRODUCT CODE DESCRIPTION

RT250M_UV
 COLOR
 (CONSULT FACTORY FOR AVAILABLE COLORS)

Aerospace Spec Tie SAE AS33671	Product Code	Cable Range (mm)	Material	A	B	D	E	G	H	Min Loop Tensile Strength (newtons)
no	RT250M_	12 to 150	PA66	1.9 ±0.2	12.5±0.2	9.5 ±0.5	20.0 ±0.5	565.3 ±5.0	22.4 ±1.0	1115
no	RT250M_HS		PA66HS							
no	RT250M_UV		PA66UV							

SEE CHART
 Material

Dimension tolerances unless otherwise specified
 .XXXX = ± .0130
 .XXX = ± .130
 .XX = ± .30
 .X = ± .8
 < = ± 0.5 °
 Dimension Units mm
 PERFORMANCE SPECIFICATION

ACAD MECH 2010

 ALL PROPRIETARY RIGHTS IN THE SUBJECT MATTER SHOWN ON THIS DRAWING ARE EXCLUSIVE PROPERTY OF HELLERMANNTYTON

Drawn GGG 07/31/91
 Approved K.A.C. 04/22/11
HellermannTyton
 7930 N. Faulkner Rd.
 Milwaukee, WI 53224
 Ph: (414) 355-1130
 Fx: (414) 362-8338

Scale 1:1
 Computer File Number CT\CST\2250006_02
 Title RT250M RELEASABLE HEAVY DUTY LASHING CABLE TIE
 Phase: Production
 Drawing-No
CT2250006CST
 Format AH
 Sheet 1 of 1