

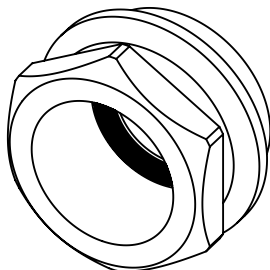
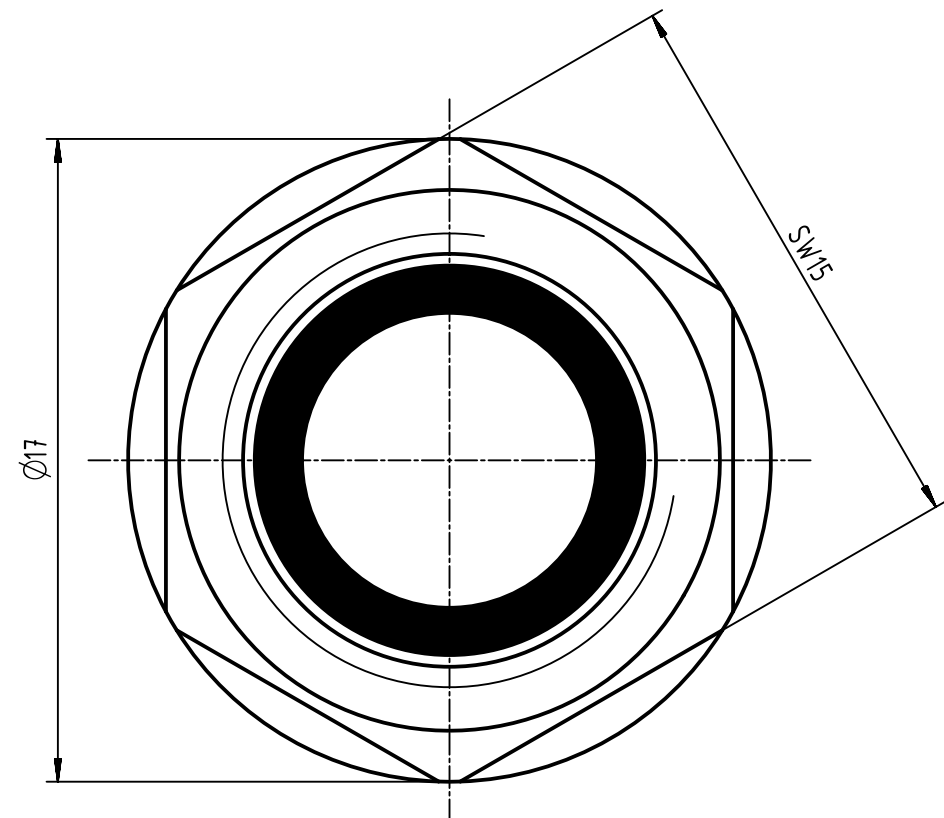
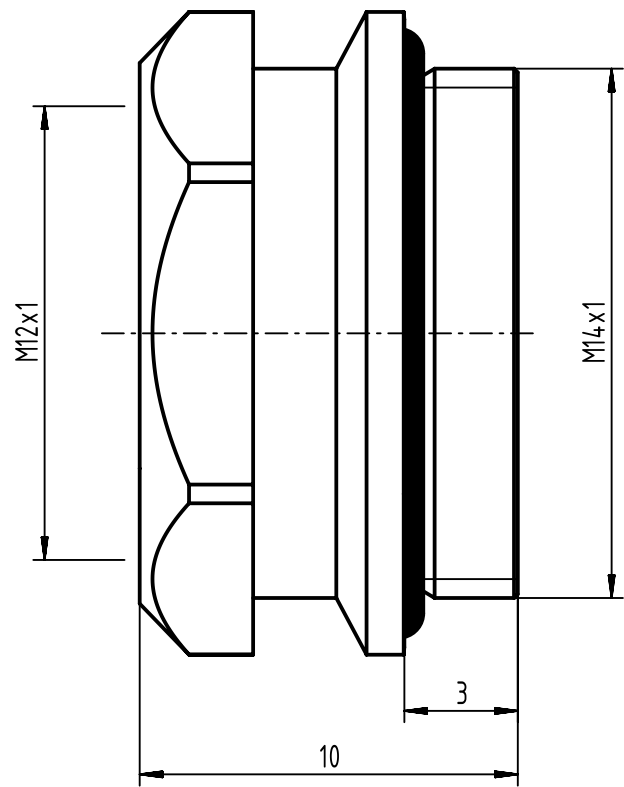
1 2 3 4 5 6

A


B

C

D



packaging unit: 25 pcs.

| | | | | | | |
|---|--|--|-------------------------|-----------------------------|--|------------------------|
|  | All rights reserved Department EC PD - DE | All Dimensions in mm Original Size DIN A4 | | Scale 2:1 | Free size tol. | Ref. |
| | | Created by HASSE | Inspected by EISFELD | Standardisation HOFFMANN | Date 2016-07-18 | State Final Release |
| HARTING Electronics GmbH D-32339 Espelkamp | | Title M12-ACC-HOUSING | | | Doc-Key / ECM-Nr. 100679228/UGD/000/A 500000106209 | |
| | | Type TB | Number 21410000010 | | Rev. A | Page 1/1 |