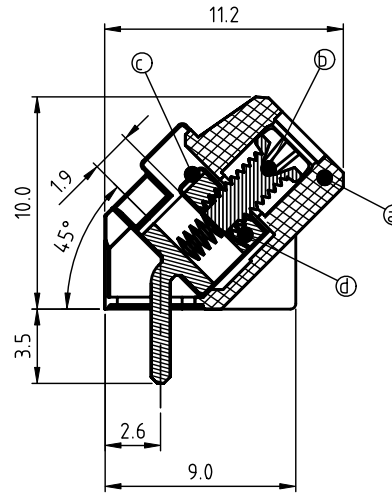
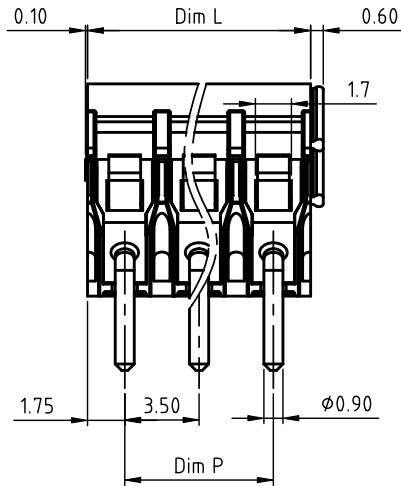
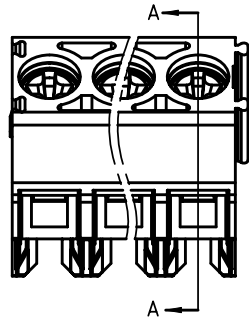
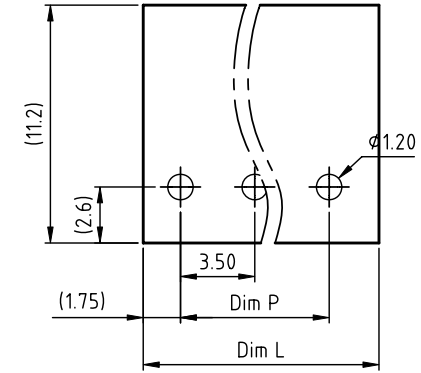


PRODUCT NUMBER	PITCH
KZxx10x000J0G	3.50 mm



SECTION A-A



RECOMMENDED P.C.B LAYOUT  
TOP VIEW

Materials

- ItemⒶ Terminal body: Thermoplastic (UL 94V-0)
- ItemⒷ Terminal screw: Steel Zinc plating "+/-" slot type
- ItemⒸ Wire guard: Stainless steel
- ItemⒹ Clamp: Brass (CuZn) Tin Plated

Electrical cULus

- Voltage rating: 300VAC
- Current rating: 10A
- Wire range:
  - Solid wire (AWG): 16-26
  - Stranded wire (AWG): 16-26
- Torque (Lb-In): 1.1
- Screw: M2.0
- Wire strip length: 4-5mm
- Withstanding Voltage: 1.6KV
- Operating temperature: -40°C to +115°C
- Soldering temperature: 260°C ± 5°C / 5 Sec
- Safety Approval: cULus

N = Number of poles  
Dim L = N x 3.5  
Dim P = (N-1) x 3.5

Poles	Dim.	Dim L	Dim P
2-6p		±0.15	±0.10
7-12p		±0.20	±0.15
13-18p		±0.25	±0.20
19-24p		±0.30	±0.25

PART NO.: KZ xx 1 0 x 0 00J0 G

- End stackable
- No. of poles: 02 (2 poles), 03 (3 poles), ... (24 poles)
- Body Color: 0 Black (RAL9005), 2 Red (RAL3001/D), 3 Orange (RAL2011/P), 4 Yellow (RAL1018/A), 5 Green (RAL6018/T), 6 Blue (RAL5015/A), 8 Grey (RAL7035/D), 9 White (RAL1102), C Green (RAL6018/U)
- RoHS compliant (lead < 4%) in copper Alloy

mat'l. code		surface ASME Y14.5	tolerance ASME Y14.5	projection	product family TERMINAL BLOCK
ltr	ecn no	dr	date	tolerances unless otherwise specified	title TERMINAL BLOCK
				angles X°±1°	WIRE PROTECTOR, SQUARE HOLE, 4SD WIRE INLET
				scale	dwg no KZxx10x000J0G
				dr EVIN ZHONG 040314	sheet 1 of 1 size A4
				enrg EVIN ZHONG 040314	type CUSTOMER Drawing
				chr HANKE FENG 040314	
				appd SHI JUN 040314	
sheet index	revision sheet	A	1		