

## SPECIFICATION

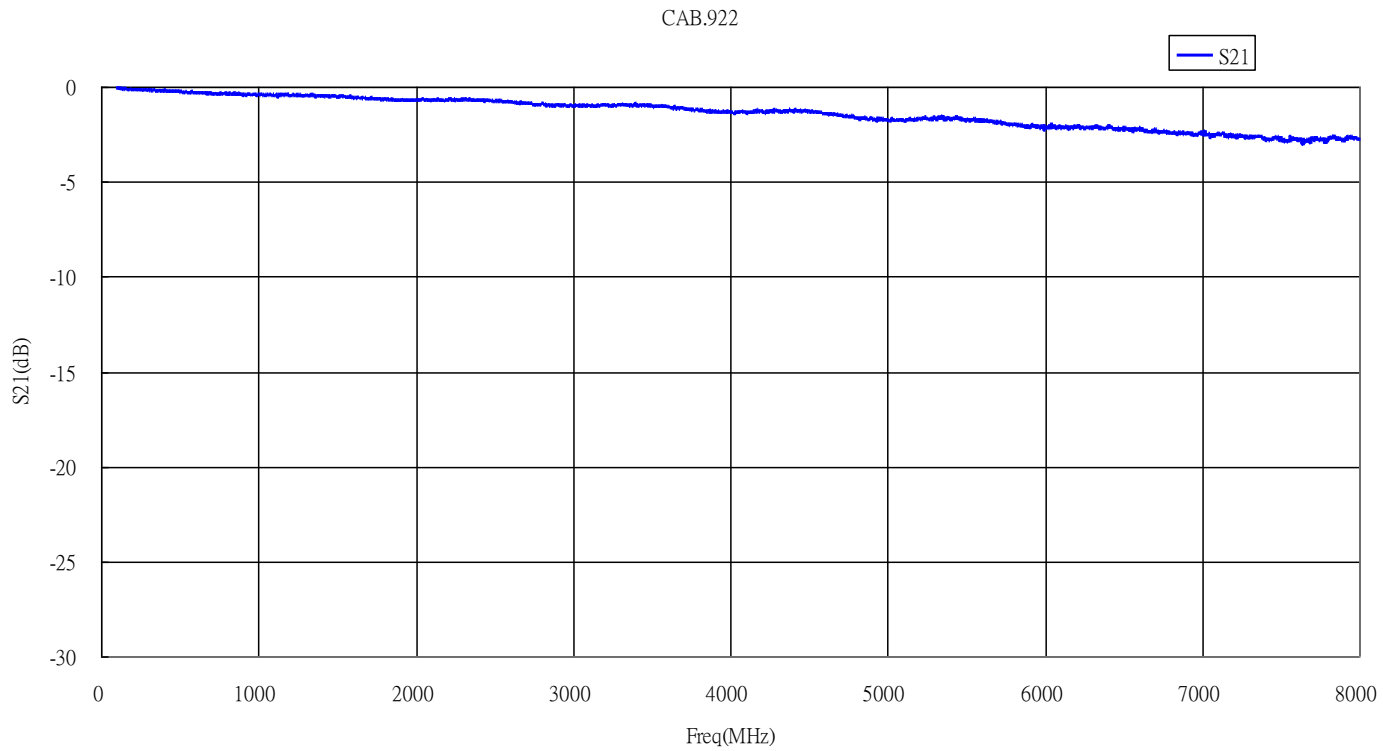
Part No. : **CAB.922**

Product Name : Taoglas Cable Assembly  
SMA(F) Bulkhead Straight to  
Murata GSC  
with 95mm  $\varnothing$ 0.81mm cable

Photo :

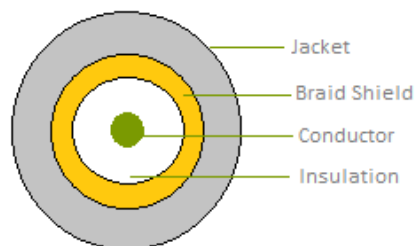


## 1.0 Cable Insertion Loss

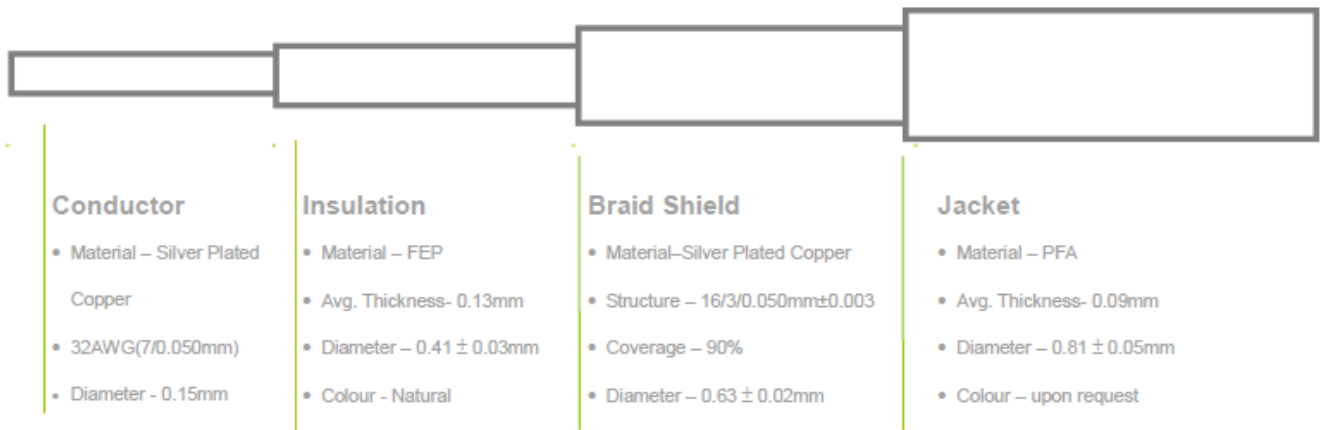


## 2.0 Ø0.81mm Cable Specification

### 2.1 Drawing – Cross Section



## 2.2 Structure and Dimensions

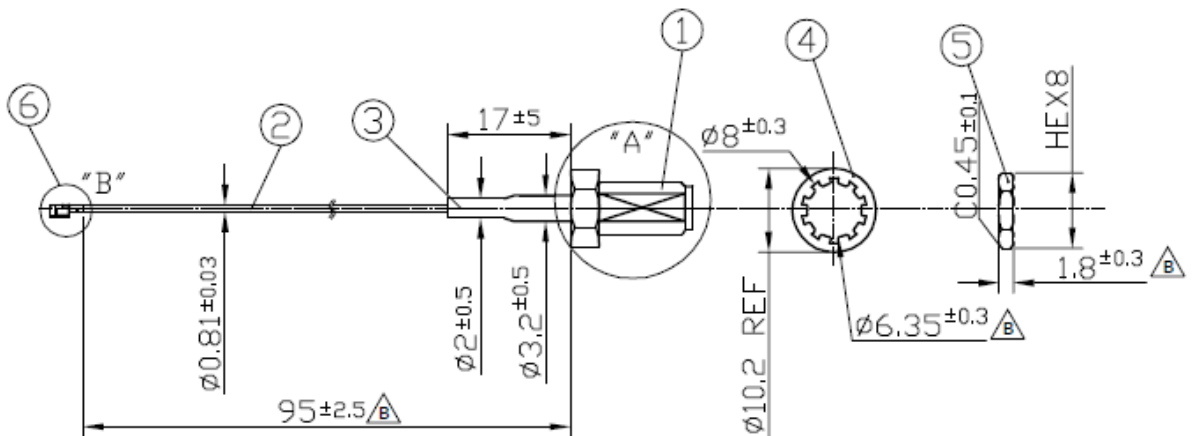
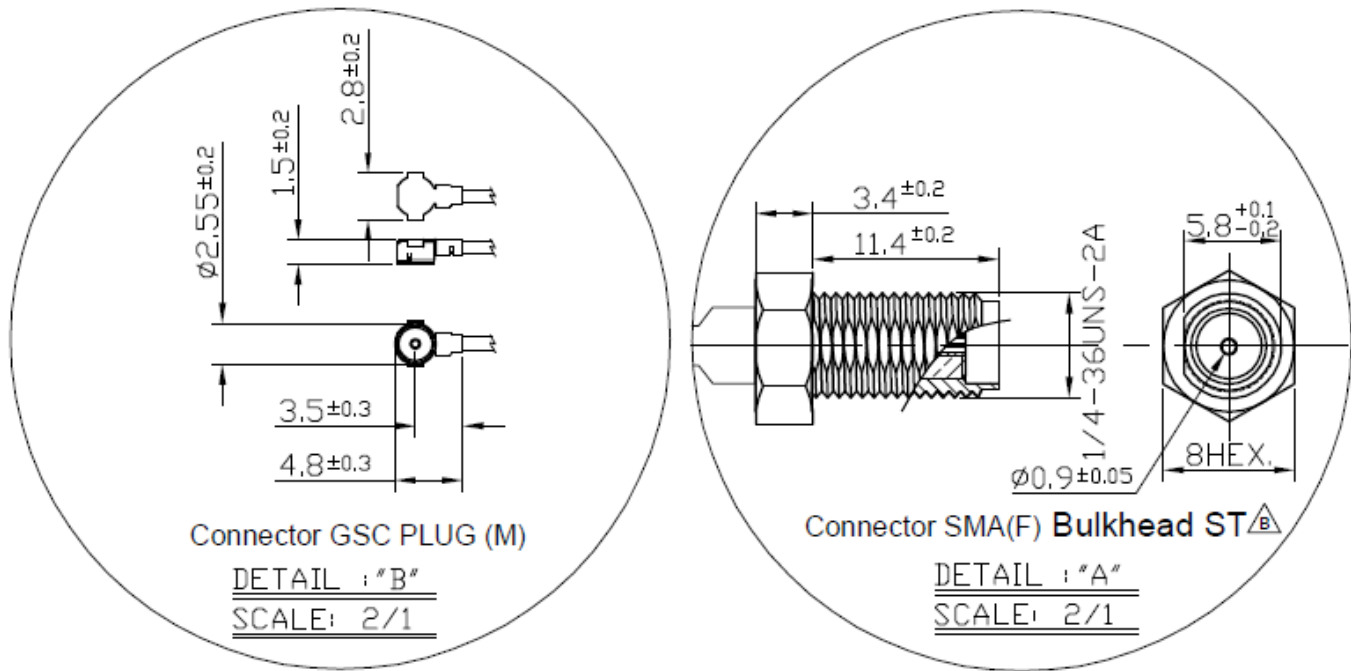


## 2.3 Electrical & Physical Specification

1	Insulation Resistance:	1000 MEGA OHM-KM Min.												
2	Conductor Resistance:	1400 OHM/KM/20°C Max.												
3	Dielectric Strength:	AC 1.0 KV/minute												
4	Spark test:	2.5 KV												
5	Nom. Impedance	$50 \pm 3$ Ohms												
6	Nom. Capacitance	$97 \pm 3$ pF/m												
7	Attenuation (dB/1M)	<table border="0"> <tr> <td>1.0GHz</td> <td>3.60</td> </tr> <tr> <td>2.0GHz</td> <td>5.10</td> </tr> <tr> <td>3.0GHz</td> <td>6.20</td> </tr> <tr> <td>4.0GHz</td> <td>7.50</td> </tr> <tr> <td>5.0GHz</td> <td>8.50</td> </tr> <tr> <td>6.0GHz</td> <td>9.40</td> </tr> </table>	1.0GHz	3.60	2.0GHz	5.10	3.0GHz	6.20	4.0GHz	7.50	5.0GHz	8.50	6.0GHz	9.40
1.0GHz	3.60													
2.0GHz	5.10													
3.0GHz	6.20													
4.0GHz	7.50													
5.0GHz	8.50													
6.0GHz	9.40													

### 3.0 Technical Drawing

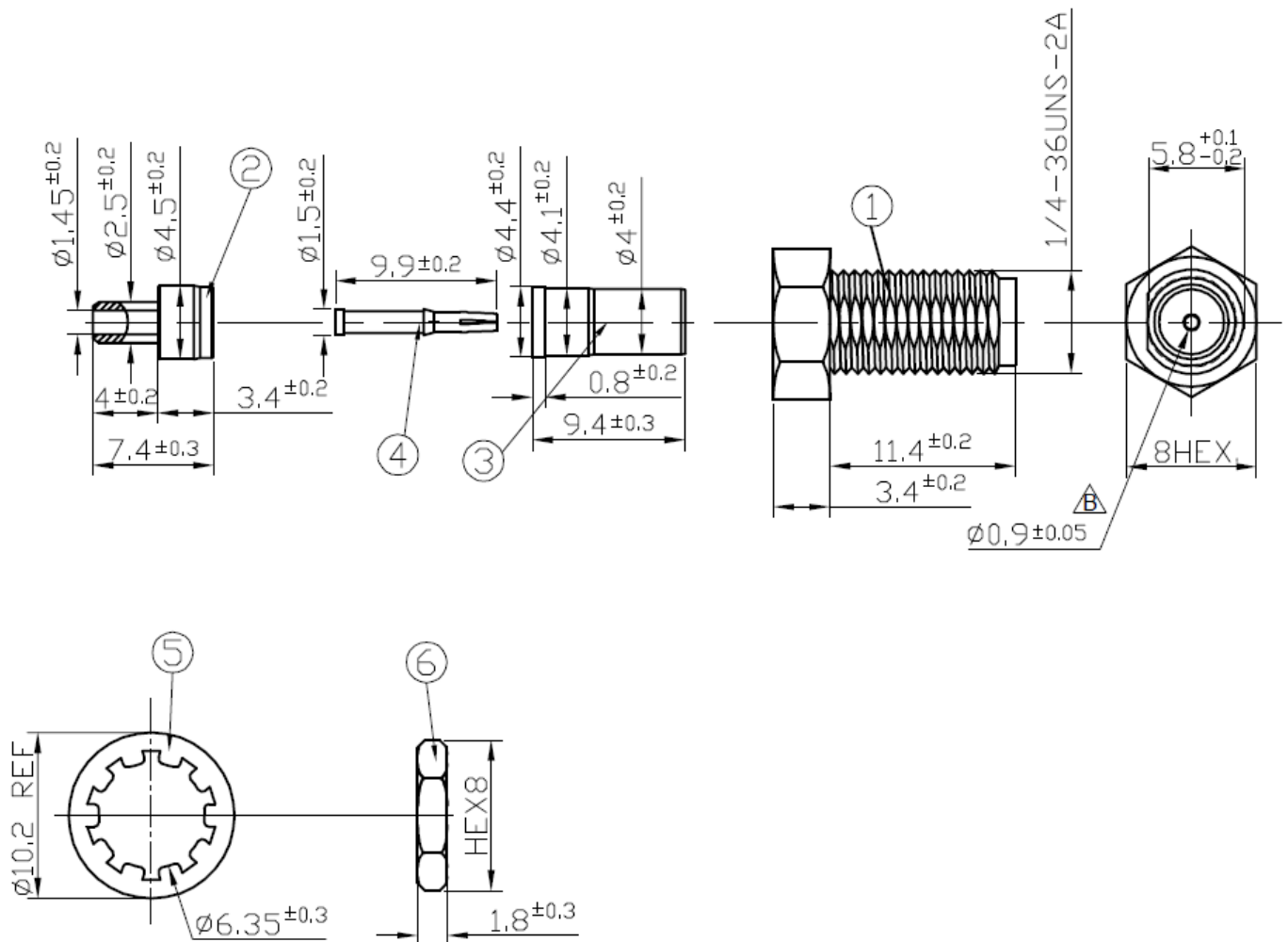
#### 3.1 CAB.922



	Name	Part No.	Material	Finish	QTY
1	SMA(F) Bulkhead ST	SMA.F.ST.JACK.113.J	Brass	Gold	1
2	0.81 Coaxial Cable	OD.081.J	FEP Jacket	White / Gray $\triangle_B$	1
3	Heat Shrink Tube	001311H000013A	PE	Black	1
4	Washer		Brass	Gold	1
5	Nut		Brass	Gold	1
6	GSC	MUR.GSC.081	Brass	Silver	1

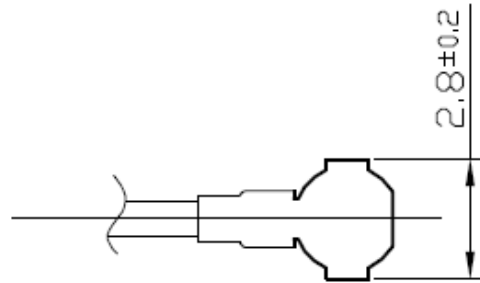
## 3.2 Connectors

### 3.2.1 SMA(F) Bulkhead Jack

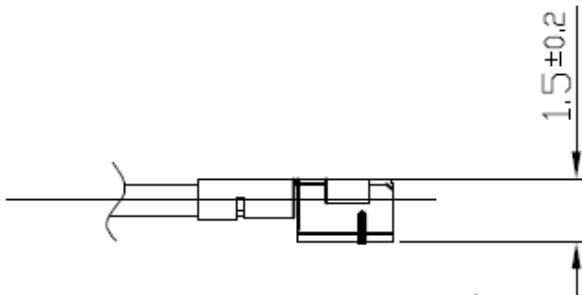


	Name	Material	Finish	QTY
1	Body	Brass	Gold	1
2	Body	Brass	Gold	1
3	Insulator	PTFE	White	1
4	Female Contact	Copper	Gold	1
5	Washer	Brass	Gold	1
6	Nut	Brass	Gold	1

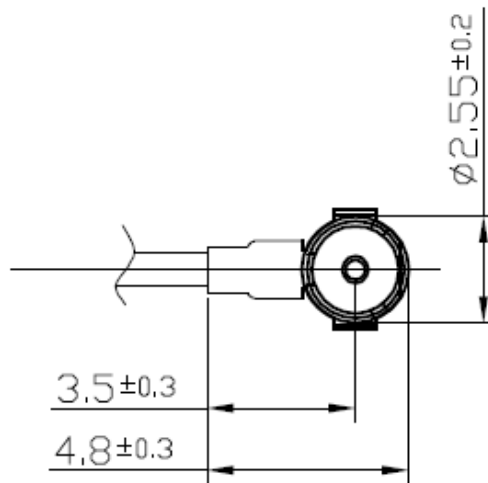
### 3.2.2 Murata GSC



Bottom



Side



Top

Mated View

