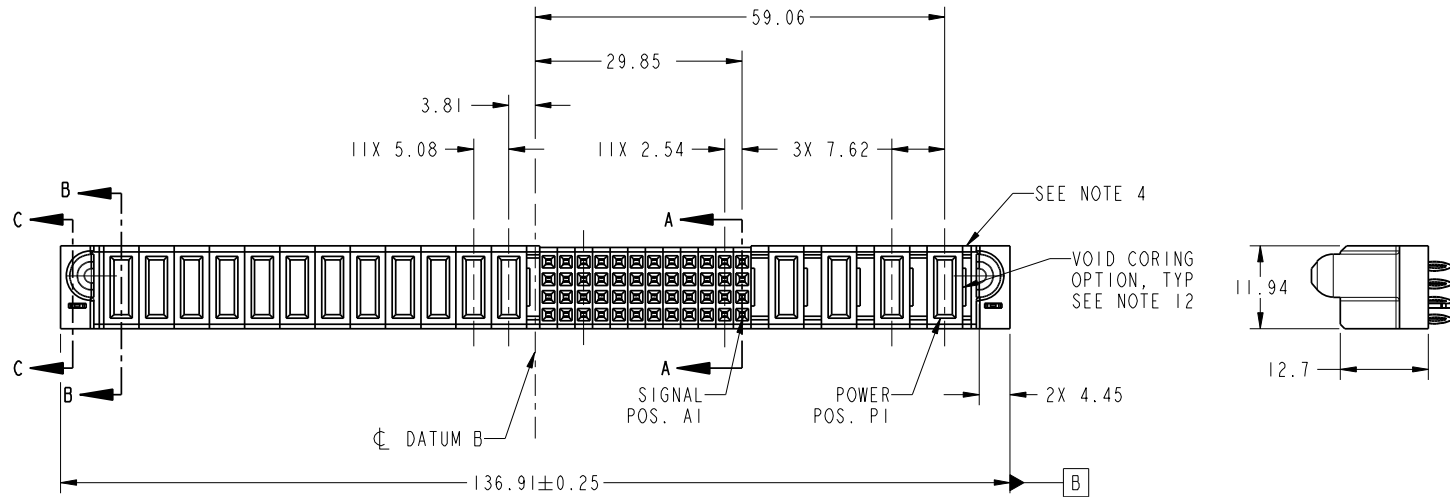


Tous droits strictement réservés. Reproduction ou communication à des tiers interdite sous quelque forme que ce soit sans autorisation écrite du propriétaire. Propriété de c FCI. Droits de reproduction FCI.



All rights strictly reserved. Reproduction or issue to third parties in any form whatever is not permitted without written authority from the proprietor. Property of FCI. Copyright FCI.

PRODUCT NO. 51940-384... NOTE: 3	ROWS D C B A	POWER												SIGNAL												POWER				E1	
		E2	P16	P15	P14	P13	P12	P11	P10	P9	P8	P7	P6	P5	12	11	10	9	8	7	6	5	4	3	2	1	P4	P3	P2		P1
		PF												F												PF					



CODE	DIM "M" MATING LENGTH	CONTACT TYPE
PF	[2.34]	POWER
F	[N/A]	SIGNAL
HA	[N/A]	HOLD-DOWN

mat'l code				SEE NOTES		tolerances unless otherwise specified		CUSTOMER		FCI	
lir	ecr no.	dr	date	linear	0.X ± 0.5	projection	COPY		www.fciconnect.com		
A	DG11-0051	HZ	03/01/11	angles	0.XX ± 0.25		title		4ACP + 48S + 12P		
					0.XXX ± 0.1		VERTICAL PRESS-FIT RECEPT				
				dr	Helen Zhang 03/01/11		product family		PwrBlade	code	
				enr	Anson Liu 03/01/11		size		dwg no	213	
				chr	PM ZHENG 03/01/11		scale		51940-384	sheet	
				appd	Joseph Hsia 03/01/11		1:1		1 of 4		
sheet index	revision sheet	A	A	A	A						
		1	2	3	4						

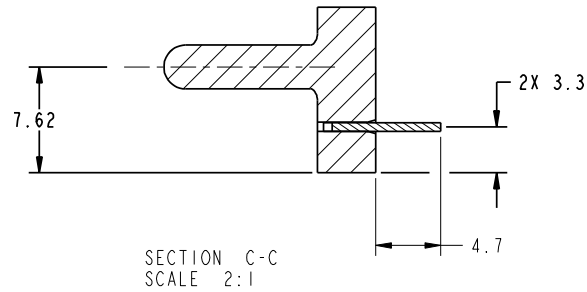
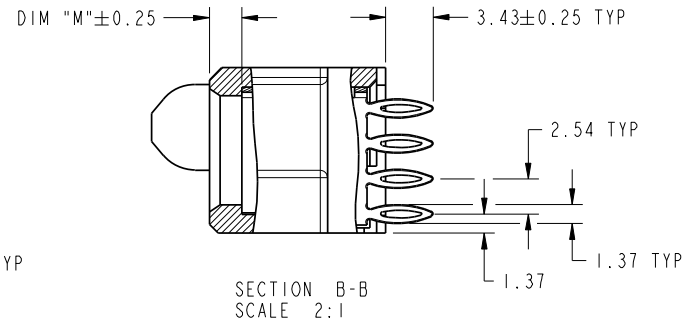
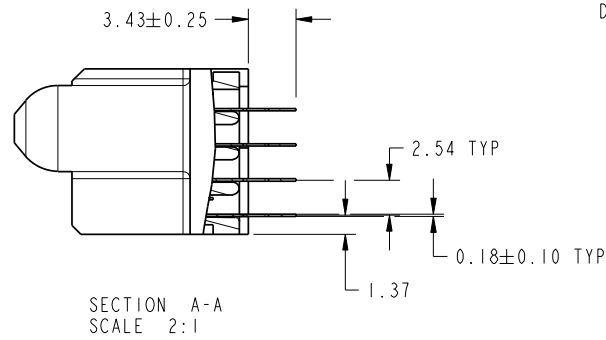
cage code 22526

Tous droits strictement réservés. Reproduction ou communication a des tiers interdite sous quelque forme que ce soit sans autorisation écrite du propriétaire. Propriété de c FCI. Droits de reproduction FCI.

All rights strictly reserved. Reproduction or issue to third parties in any form whatever is not permitted without written authority from the proprietor. Property of FCI. Copyright FCI.



PRODUCT NUMBER
51940-384_
NOTE: 3



mat'l code				tolerances unless otherwise specified		CUSTOMER		FCI	
lir	ecn no.	dr	date	linear	0.X ±0.5	COPY		www.fciconnect.com	
A					0.XX ±0.25	projection		title	
				angles	0.XXX ±0.1			4ACP + 48S + 12P VERTICAL PRESS-FIT RECEPT	
				dr	Helen Zhang 03/01/11	MM		product family PwrBlade code	
				enr	Anson Liu 03/01/11			size 213	
				chr	PM ZHENG 03/01/11	scale 1:1		dwg no 51940-384 sheet	
				appd	Joseph Hsia 03/01/11			2 of 4	
sheet index		revision sheet							

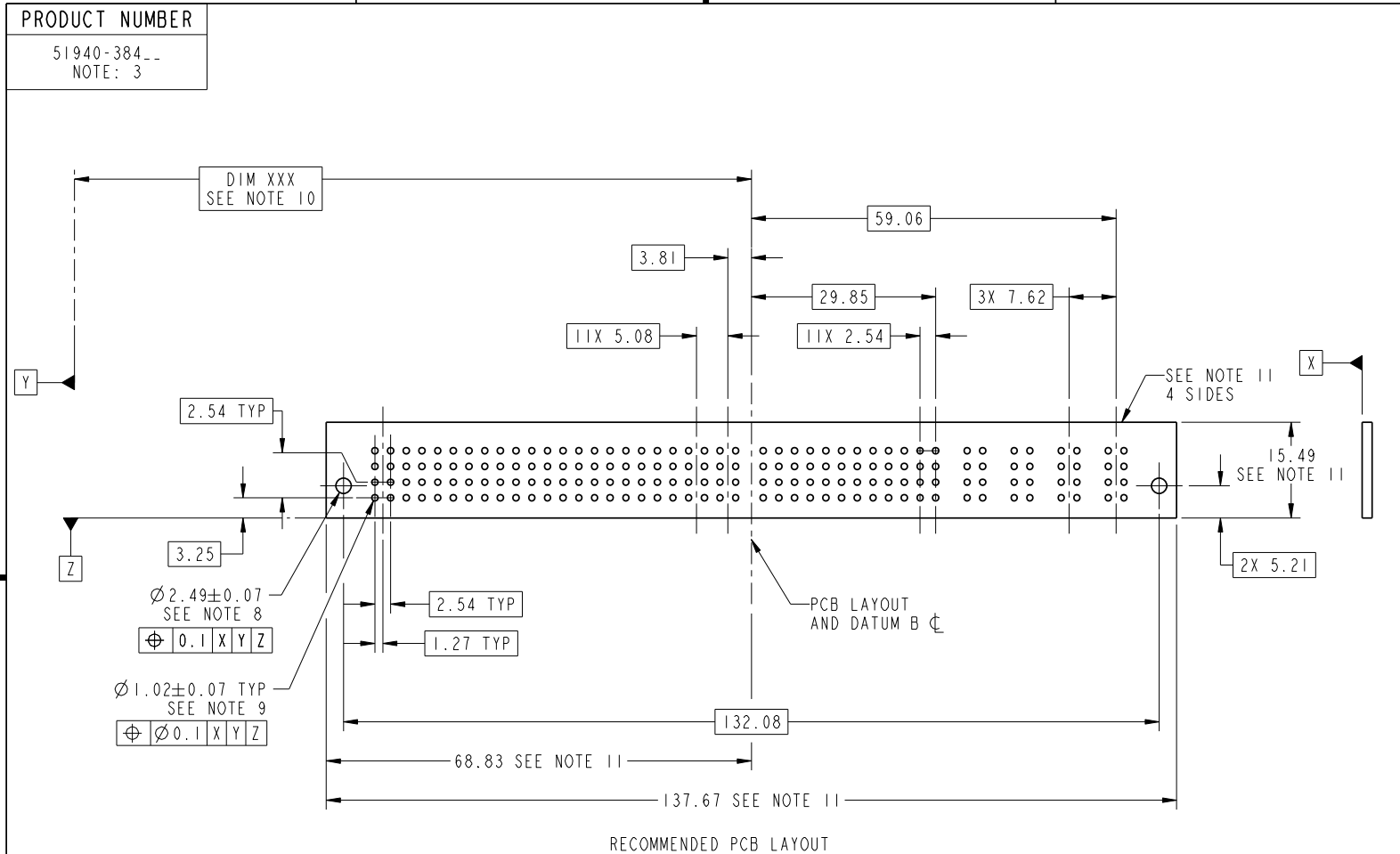
cage code 22526

Pro/E

Tous droits strictement réservés. Reproduction ou communication a des tiers interdite sous quelque forme que ce soit sans autorisation écrite du propriétaire. Propriété de c FCI. Droits de reproduction FCI.



All rights strictly reserved. Reproduction or issue to third parties in any form whatever is not permitted without written authority from the proprietor. Property of FCI. Copyright FCI.



mat'l code				tolerances unless otherwise specified		CUSTOMER		FCI	
lir	ecn no.	dr	date	linear	0.X ± 0.5	COPY		www.fciconnect.com	
A				linear	0.XX ± 0.25	projection		title	
				angles	0.XXX ± 0.1			4ACP + 48S + 12P VERTICAL PRESS-FIT RECEPT	
				dr	0° ± 2°			product family PwrBlade code 213	
				enr	Helen Zhang 03/01/11	scale		size dwg no 213	
				chr	Anson Liu 03/01/11	1:1		sheet 3 of 4	
				appd	PM ZHENG 03/01/11			A 51940-384	
					Joseph Hsia 03/01/11				
sheet index	revision sheet								

cage code 22526

Pro/E

Tous droits strictement réservés. Reproduction ou communication a des tiers interdite sous quelque forme que ce soit sans autorisation écrite du propriétaire. Propriete de c FCI. Droits de reproduction FCI.



All rights strictly reserved. Reproduction or issue to third parties in any form whatever is not permitted without written authority from the proprietor. Property of FCI. Copyright FCI.

PRODUCT NUMBER
51940-384_
NOTE: 3

NOTES:

1. DIMENSIONS AND TOLERANCES ARE IN ACCORDANCE WITH ASME Y14.5M, 1994 UNLESS OTHERWISE SPECIFIED.

CONNECTOR NOTES:

- 2 HOUSING MATERIAL: UL 94 V-0 GLASS FILLED HIGH-TEMP THERMOPLASTIC
POWER CONTACT MATERIAL: COPPER ALLOY
SIGNAL PIN MATERIAL: COPPER ALLOY
 - 3. SEE ITEM 7 & 8 IN PRINT 10064183 FOR PLATING SPEC OF 51940-384 AND 51940-384LF RESPECTIVELY.
 - 4 MANUFACTURER'S NAME, P/N, AND DATE CODE TO APPEAR ON THIS SURFACE.
 - 5. PRODUCT SPECIFICATION GS-12-149.
APPLICATION SPECIFICATION BUS-20-067.
 - 6. PACKAGED IN TRAYS.
- PCB NOTES:
- 7. ALL HOLE DIAMETERS ARE FINISHED HOLE SIZE.
 - 8 MOUNTING HOLES, WHERE APPLICABLE, ARE UNPLATED.
 - 9 $\varnothing 1.151 \pm 0.025$ DRILLED HOLES PLATED WITH
0.008 MIN SnPb OR Sn OVER 0.03
TO 0.08 Cu PLATING TO ACHIEVE
 $\varnothing 1.02 \pm 0.07$ HOLE.
 - 10 "DIM XXX" TO BE DETERMINED BY THE CUSTOMER.
 - 11 CONNECTOR KEEP-OUT ZONE.
 - 12. THE VOID CORING IN BETWEEN POWER MODULES, SIGNAL MODULES AND END MODULES ARE OPTIONAL AND THE SHAPE MAY BE DIFFERENT FOR OPTIMIZE THE MOLDING PROCESS. THE VOID CORING WILL NOT EFFECT TO PRODUCT FUNCTION.

mat'l code				tolerances unless otherwise specified		CUSTOMER		FCI	
lir	ecr no.	dr	date	linear	0.X ± 0.5	COPY		www.fciconnect.com	
A				linear	0.XX ± 0.25	projection		title	
				angles	0.XXX ± 0.1			4ACP + 48S + 12P VERTICAL PRESS-FIT RECEPT	
				dr	0° + 2°	MM		product family PwrBlade code	
				enr	Helen Zhang 03/01/11			size 213	
				chr	Anson Liu 03/01/11	scale 1:1		dwg no 4 of 4	
				appd	PM ZHENG 03/01/11	A		51940-384	
					Joseph Hsia 03/01/11			sheet	
sheet index	revision sheet							4 of 4	

cage code 22526

Pro/E