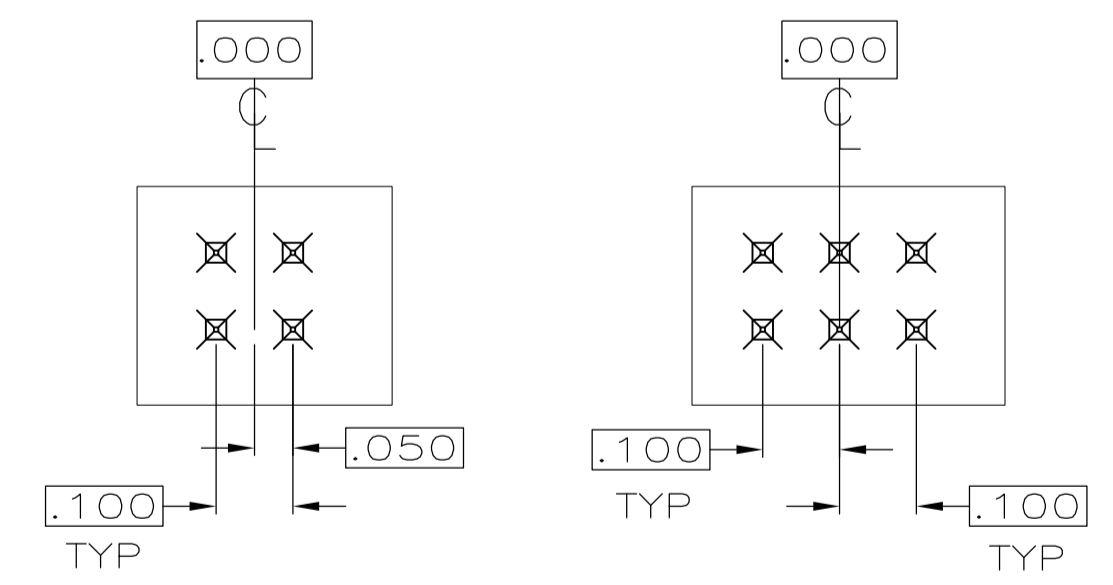
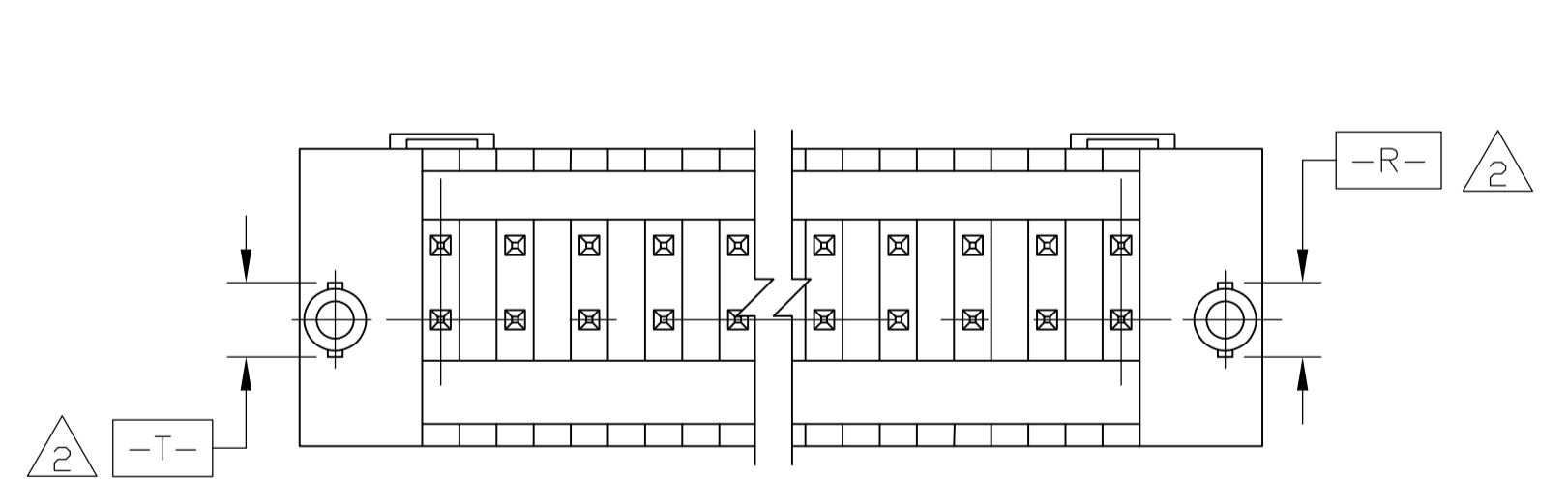
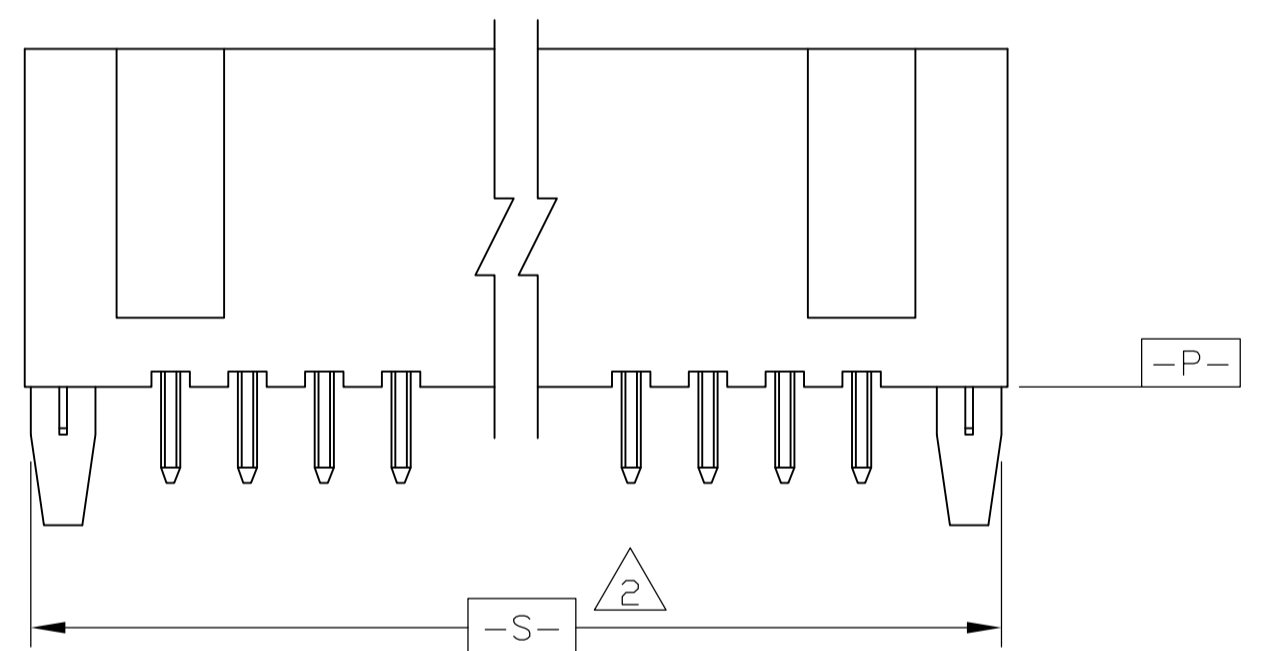
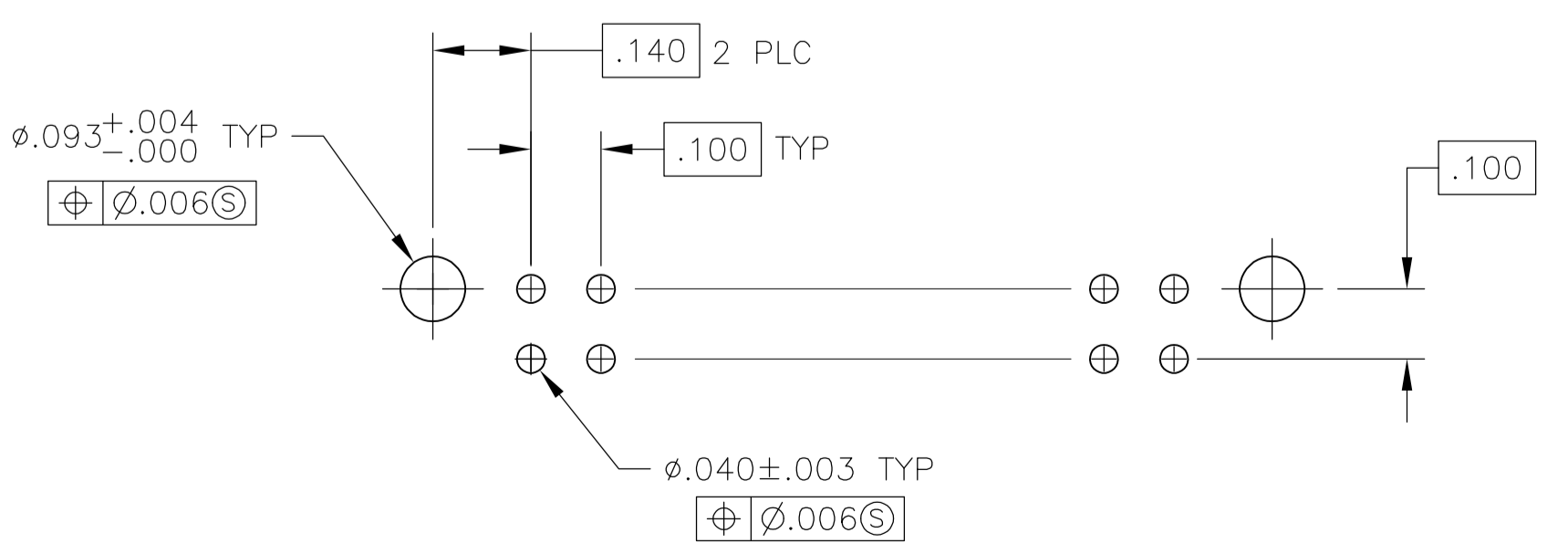


SECTION X-X



BASIC DIMENSION FOR ODD NO. OF SPACES (SEE TABLE)
BASIC DIMENSION FOR EVEN NO. OF SPACES (SEE TABLE)
DETAIL Z



RECOMMENDED HOLE LAYOUT

- 1 THE NOTED DIMENSIONS APPLY AT THE INTERSECTION OF THE POST AND HOUSING
- 2 THE NOTED DIMENSIONS APPLY AT THE INTERSECTION WITH DATUM -P-
- 3 POINT OF MEASUREMENT FOR PLATING THICKNESS
- 4 PRELIMINARY PART - NOT RELEASED FOR PRODUCTION.
- 5 MATERIAL: HOUSING- FLAME RETARDANT THERMOPLASTIC, COLOR- BLACK
POST- PHOS BRONZE
- 6 FINISH: POST- .000015 GOLD IN CONTACT AREA, .000100-.000200 MATTE TIN-LEAD ON SOLDERTAIL, ALL OVER .000050 NICKEL
- 7 FINISH: POST- .000015 GOLD IN CONTACT AREA, .000100-.000200 MATTE TIN ON SOLDERTAIL, ALL OVER .000050 NICKEL
- 8 OBSOLETE PARTS: OBSOLETE CIS STREAMLINING PER D.RENAUD/D.SINISI

8	OBSOLETE	1.900	1.600	16	34	6-104317-8
	OBSOLETE	2.000	1.700	17	36	6-104317-7
7	OBSOLETE	1.000	.700	7	16	6-104317-6
	OBSOLETE	2.300	2.000	20	42	6-104317-5
6	OBSOLETE	2.700	2.400	24	50	6-104317-4
	OBSOLETE	2.600	2.300	23	48	6-104317-3
5	OBSOLETE	2.200	1.900	19	40	6-104317-2
	OBSOLETE	1.800	1.500	15	32	6-104317-1
4	OBSOLETE	1.700	1.400	14	30	6-104317-0
	OBSOLETE	1.500	1.200	12	26	5-104317-9
3	OBSOLETE	1.400	1.100	11	24	5-104317-8
	OBSOLETE	1.300	1.000	10	22	5-104317-7
2	OBSOLETE	1.200	.900	9	20	5-104317-6
	OBSOLETE	1.100	.800	8	18	5-104317-5
1	OBSOLETE	.900	.600	6	14	5-104317-4
	OBSOLETE	.800	.500	5	12	5-104317-3
0	OBSOLETE	.700	.400	4	10	5-104317-2
	OBSOLETE	.500	.200	2	6	5-104317-1
8	OBSOLETE	.600	.300	3	8	4-104317-9
	OBSOLETE	1.900	1.600	16	34	1-104317-8
7	OBSOLETE	2.000	1.700	17	36	1-104317-7
	OBSOLETE	1.000	.700	7	16	1-104317-6
6	OBSOLETE	2.300	2.000	20	42	1-104317-5
	OBSOLETE	2.700	2.400	24	50	1-104317-4
5	OBSOLETE	2.600	2.300	23	48	1-104317-3
	OBSOLETE	2.200	1.900	19	40	1-104317-2
4	OBSOLETE	1.800	1.500	15	32	1-104317-1
	OBSOLETE	1.700	1.400	14	30	1-104317-0
3	OBSOLETE	1.500	1.200	12	26	104317-9
	OBSOLETE	1.400	1.100	11	24	104317-8
2	OBSOLETE	1.300	1.000	10	22	104317-7
	OBSOLETE	1.200	.900	9	20	104317-6
1	OBSOLETE	1.100	.800	8	18	104317-5
	OBSOLETE	.900	.600	6	14	104317-4
0	OBSOLETE	.800	.500	5	12	104317-3
	OBSOLETE	.700	.400	4	10	104317-2
8	OBSOLETE	.500	.200	2	6	104317-1
	OBSOLETE					

PLATING	C	B	A	NO OF POSN	ASSEMBLY PART NUMBER
---------	---	---	---	------------	----------------------

THIS DRAWING IS A CONTROLLED DOCUMENT. DIN H MOLL 10-19-87. CHK R FEJDT 10-19-87. NAME: HDR ASSY, MOD II, SHROUDED, 4 SIDES, DBL ROW, VERTICAL, .100X.100 CL, WITH .025 SQ POSTS. PRODUCT SPEC: -. APPLICATION SPEC: -. SIZE: A1. CASE CODE: 00779. DRAWING NO: 104317. WEIGHT: -. RESTRICTED TO: -. MATERIAL: 5. FINISH: SEE TABLE. CUSTOMER DRAWING. SCALE: 4:1. SHEET: 1 OF 1. REV: K2.