

# PRODUCT DATA DRAWING

**R & D DEVELOPED PRODUCT**     **HFSS & DCN CONTROLLED DOCUMENT**

DWG. NO. **SF3375-6001**

**ROHS COMPLIANT**

**MATERIAL:**

BODY, INSERT & SLEEVE: STAINLESS STEEL PER AMS-5640, UNS S30300, TYPE I  
 CONTACT: BERYLLIUM COPPER PER ASTM-B-196, ALLOY C17300, COND.

DIELECTRIC BEAD: KEL-F PER MILP-46036B, TYPE II

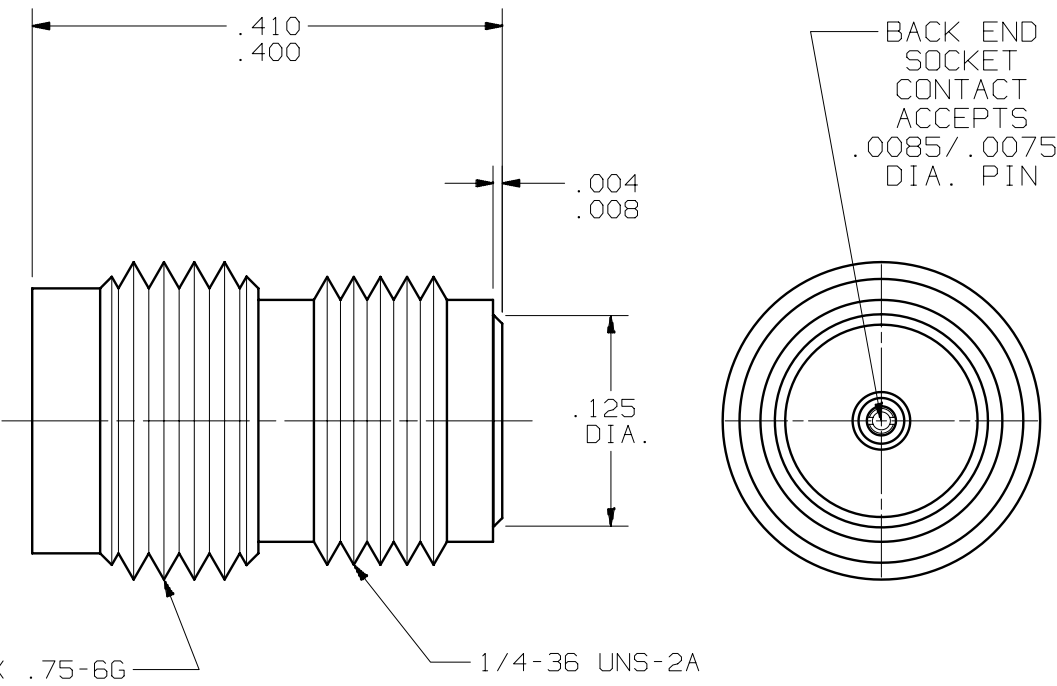
**FINISH:**

BODY, INSERT & SLEEVE: PASSIVATED PER QQ-P-35, TYPE II  
 CONTACT: GOLD PER MIL-G-45204, TYPE I, GRADE C, CLASS 00; OVER NICKEL PER QQ-N-290, CLASS 1

**PERFORMANCE:**

IMPEDANCE: 50 OHMS ±2 OHMS  
 FREQ. RANGE: DC TO 67.0 GHz  
 VSWR: DC TO 40 GHz = 20 dB MAX.  
 40 TO 67 GHz = 17 dB MAX.

**TEMP RATING: -55°C TO +150°C**



M7 X .75-6G     1/4-36 UNS-2A

SYM.	DESCRIPTION	DATE	APPR.	UNLESS OTHERWISE SPECIFIED: 1) ALL DIMENSIONS ARE AFTER PLATING. 2) BREAK CORNERS & EDGES .005 R. MAX. 3) CHAM. 1st & LAST THDS. 4) SURFACE ROUGHNESS 63 / MIL-STD-10. 5) DIAS. ON COMMON CENTERS TO BE CONCENTRIC WITHIN .005 T.I.R. 6) REMOVE ALL BURRS.	DIMENSIONS ARE IN INCHES TOLERANCES:			<b>SV Microwave, Inc.</b> 2400 Centrepark West Drive, Suite 100 West Palm Beach, FL 33409	
-	REL. NRN 28975	10/02	JM		DECIMALS .XX ±.030 .XXX ±.001 .XXXX ±.0005	FRACTIONAL ±1/64	ANGULAR X° ±1°0' X°X' ±15'		TITLE:
A	DCN 38837	02/12	STW		MATERIAL: SEE ABOVE			□" AREA: N/A	1.85 mm JACK SPARKPLUG LAUNCHER TO .008 PIN
				DESIGNED: DWC 10/02/02	FINISH: SEE ABOVE				DWG. NO.
				HFSS CHK: SVG 10/02/02	SIZE	CAGE NO.	SCALE	SF3375-6001	
				MECH CHK: DWC 10/02/02	A	95077	N/A		