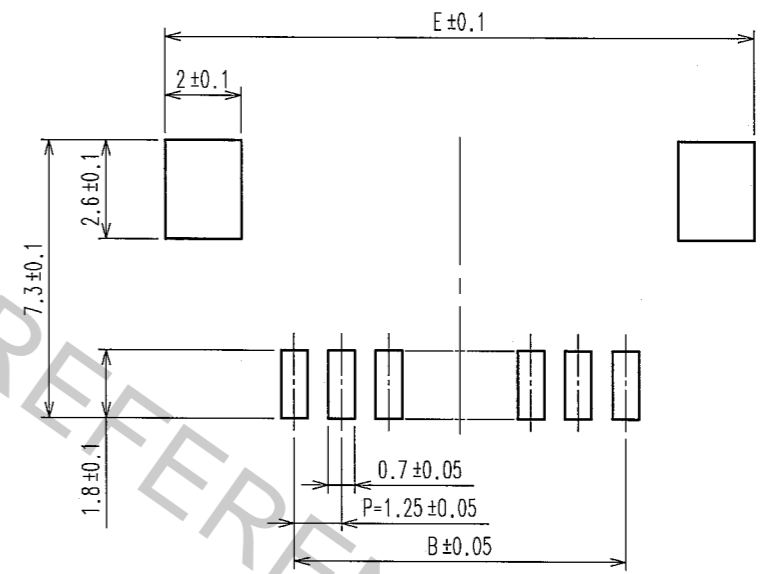


COUNT	DESCRIPTION OF REVISIONS	BY	CHKD	DATE	COUNT	DESCRIPTION OF REVISIONS	BY	CHKD	DATE
△					△				
△					△				
△					△				

PART NO.	HRS NO.	CONTACTS	A	B	C	D	E
DF14A- 2P-1.25H(26)	CL538-0033-3-26	2	7.45	1.25	2.95	3.65	8.05
DF14A- 3P-1.25H(26)	CL538-0034-6-26	3	8.70	2.50	4.20	4.90	9.30
DF14A- 4P-1.25H(26)	CL538-0035-9-26	4	9.95	3.75	5.45	6.15	10.55
DF14A- 5P-1.25H(26)	CL538-0036-1-26	5	11.20	5.00	6.70	7.40	11.80
DF14A- 6P-1.25H(26)	CL538-0037-4-26	6	12.45	6.25	7.95	8.65	13.05
DF14A- 7P-1.25H(26)	CL538-0038-7-26	7	13.70	7.50	9.20	9.90	14.30
DF14A- 8P-1.25H(26)	CL538-0039-0-26	8	14.95	8.75	10.45	11.15	15.55
DF14A- 9P-1.25H(26)	CL538-0040-9-26	9	16.20	10.00	11.70	12.40	16.80
DF14A-10P-1.25H(26)	CL538-0041-1-26	10	17.45	11.25	12.95	13.65	18.05
DF14A-15P-1.25H(26)	CL538-0114-3-26	15	23.70	17.50	19.20	19.90	24.30
DF14A-20P-1.25H(26)	CL538-0119-7-26	20	29.95	23.75	25.45	26.15	30.55
DF14A-25P-1.25H(26)	CL538-0124-7-26	25	36.20	30.00	31.70	32.40	36.80
DF14A-30P-1.25H(26)	CL538-0045-2-26	30	42.45	36.25	37.95	38.65	43.05

RECOMMENDED PATTERN

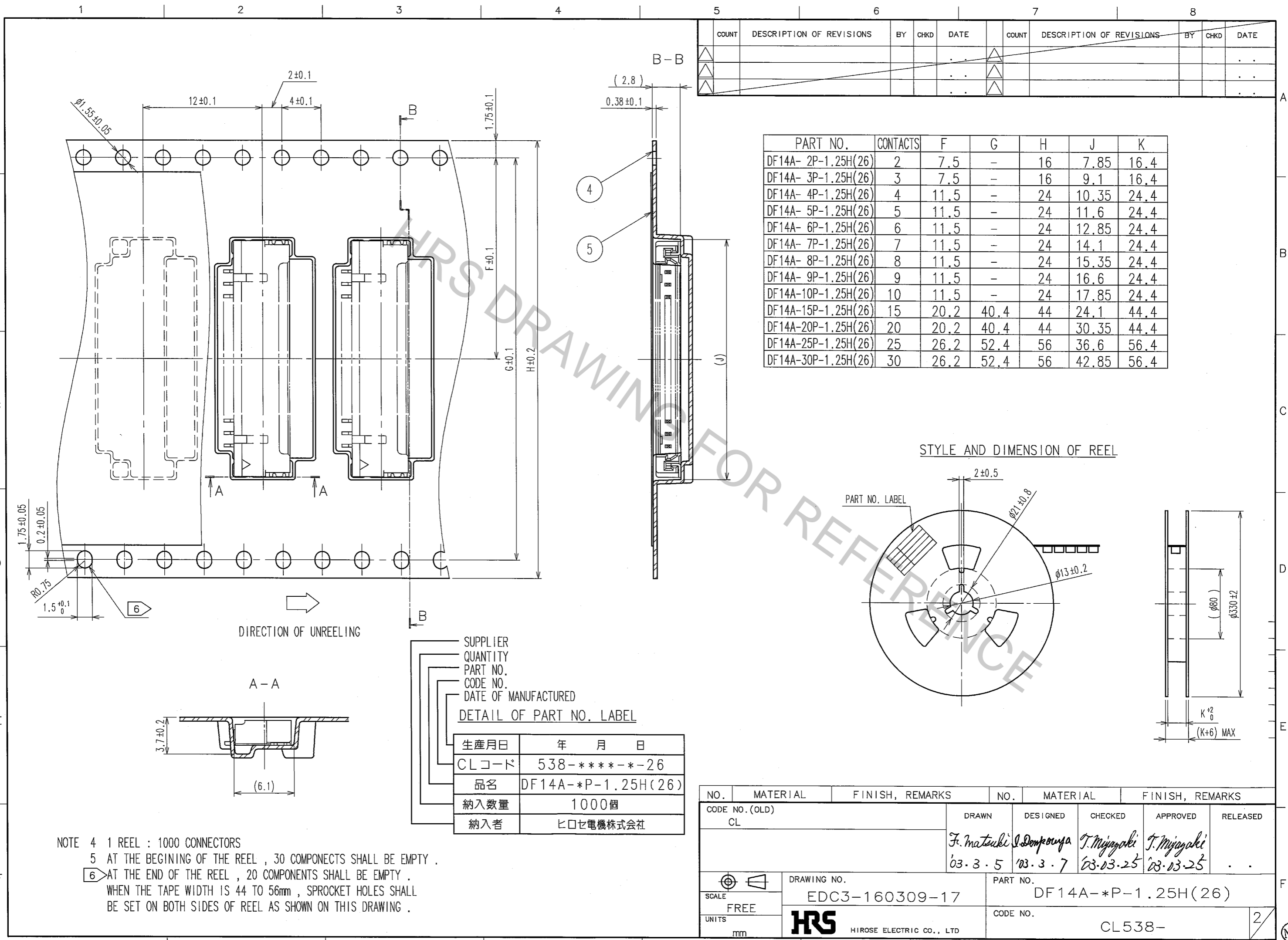


NOTE 1. LEAD CO-PLANALITY INCLUDE REINFORCED METAL FITTINGS SHALL BE 0.1 MAX.
 2. WHEN THIS CONNECTOR MATES WITH DF14-*S-1.25C, THE MATTING LENGTH IS 7.3mm.
 3. FOR CONNECTORS, 2 OR 3 CONTACTS, SIMPLIFIED LOCK HOLE SHALL BE SET AT THE CENTER OF HOUSING.

3	PHOSPHOR BRONZE	TIN-COPPER PLATED 1μ m min UNDER PLATING: NICKEL PLATED 0.5μ m min	5	POLYESTER	CLEAR(COVER TAPE)		
2	BRASS	TIN-COPPER PLATED 1μ m min UNDER PLATING: NICKEL PLATED 0.5μ m min	4	A-PET	CLEAR (EMBOSSED CARRIER TAPE)		
1	POLYAMIDE	BEIGE, UL94V-0					
NO.	MATERIAL	FINISH, REMARKS	NO.	MATERIAL	FINISH, REMARKS		
CODE NO. (OLD) CL			DRAWN	DESIGNED	CHECKED	APPROVED	RELEASED
			<i>F. Matsuda</i>	<i>J. Denpouga</i>	<i>T. Miyazaki</i>	<i>T. Miyazaki</i>	
			'03. 3. 5	'03. 3. 7	'03. 03. 25	'03. 03. 25	
DRAWING NO. EDC3-160309-17			PART NO. DF14A-*P-1.25H(26)				
SCALE 5 : 1			CODE NO. CL538-				
UNITS mm			HRS HIROSE ELECTRIC CO., LTD				
			1/2				

TO

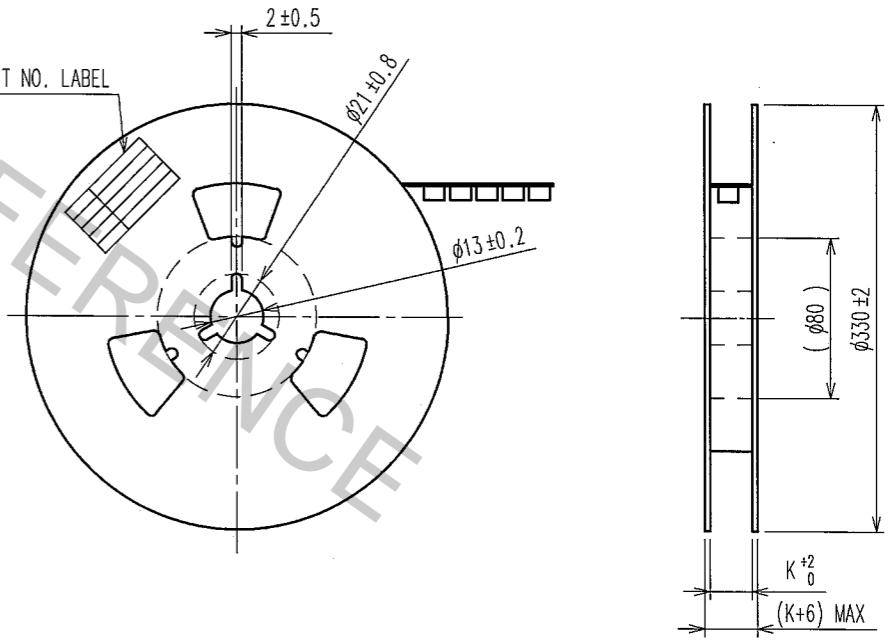
Apr.1.2017 Copyright 2017 HIROSE ELECTRIC CO., LTD. All Rights Reserved.



COUNT	DESCRIPTION OF REVISIONS	BY	CHKD	DATE	COUNT	DESCRIPTION OF REVISIONS	BY	CHKD	DATE

PART NO.	CONTACTS	F	G	H	J	K
DF14A- 2P-1.25H(26)	2	7.5	-	16	7.85	16.4
DF14A- 3P-1.25H(26)	3	7.5	-	16	9.1	16.4
DF14A- 4P-1.25H(26)	4	11.5	-	24	10.35	24.4
DF14A- 5P-1.25H(26)	5	11.5	-	24	11.6	24.4
DF14A- 6P-1.25H(26)	6	11.5	-	24	12.85	24.4
DF14A- 7P-1.25H(26)	7	11.5	-	24	14.1	24.4
DF14A- 8P-1.25H(26)	8	11.5	-	24	15.35	24.4
DF14A- 9P-1.25H(26)	9	11.5	-	24	16.6	24.4
DF14A-10P-1.25H(26)	10	11.5	-	24	17.85	24.4
DF14A-15P-1.25H(26)	15	20.2	40.4	44	24.1	44.4
DF14A-20P-1.25H(26)	20	20.2	40.4	44	30.35	44.4
DF14A-25P-1.25H(26)	25	26.2	52.4	56	36.6	56.4
DF14A-30P-1.25H(26)	30	26.2	52.4	56	42.85	56.4

STYLE AND DIMENSION OF REEL



SUPPLIER
 QUANTITY
 PART NO.
 CODE NO.
 DATE OF MANUFACTURED
 DETAIL OF PART NO. LABEL

生産月日	年 月 日
CLコード	538-*****-26
品名	DF14A-*P-1.25H(26)
納入数量	1000個
納入者	ヒロセ電機株式会社

NO.	MATERIAL	FINISH, REMARKS	NO.	MATERIAL	FINISH, REMARKS
CODE NO. (OLD)	CL		DRAWN	DESIGNED	CHECKED
			F. Matsuki	S. Dompouya	T. Miyazaki
			03.3.5	03.3.7	03.03.25
					T. Miyazaki
					03.03.25
DRAWING NO.		PART NO.		CODE NO.	
EDC3-160309-17		DF14A-*P-1.25H(26)		CL538-	
SCALE		UNITS		mm	
FREE		mm		2	
HRS		HIROSE ELECTRIC CO., LTD			

NOTE 4 1 REEL : 1000 CONNECTORS
 5 AT THE BEGINING OF THE REEL , 30 COMPONECTS SHALL BE EMPTY .
 6 AT THE END OF THE REEL , 20 COMPONENTS SHALL BE EMPTY .
 WHEN THE TAPE WIDTH IS 44 TO 56mm , SPROCKET HOLES SHALL BE SET ON BOTH SIDES OF REEL AS SHOWN ON THIS DRAWING .

TO

(NC)