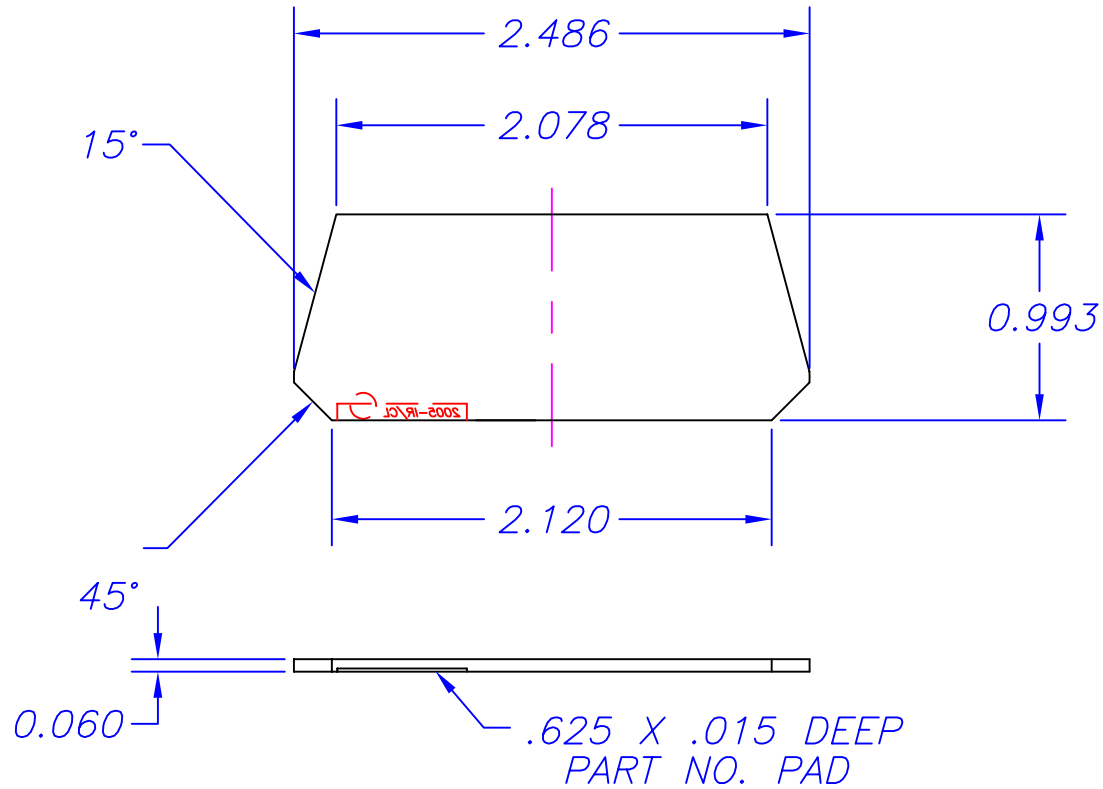


NO.	REVISION	DATE
N/A		5/96



P/N	MATERIAL
2005-IR	INFRARED LEXAN 101-21125
2005-CL	CLEAR TERLUX 2802TR(BASF)

TITLE				A-21 END PANEL IR-CL		DES.		D.CHAMBERS		6/93		P/N		2005,IR and CL	
TOLERANCE				MAT'L				SEE MATERIAL NOTE				DRWN.			
DECIMAL		FRAC.		ANG.		SHEET NO.		SCALE		CKD.		SERPAC			
.XX ±.010		.XXX ±.005		±1/64		±1/2°		1		1=1					
						NO. OF SHTS.		DWG NO.		APPR.		612 COMMERCIAL AVE., COVINA, CA. 91723 (818) 331-0517 FAX: (818) 331-8584			
						1		A-21IRCL							