

4

3

2

1

THIS DRAWING AND THE SUBJECT MATTER SHOWN THEREON ARE CONFIDENTIAL AND THE PROPERTY OF BEL/STEWART/TRP CONNECTOR AND SHALL NOT BE REPRODUCED, COPIED, OR USED IN ANY MANNER WITHOUT THE WRITTEN CONSENT OF TRP CONNECTOR.

PRODUCT MAY BE PROTECTED BY ONE OR MORE OF THE FOLLOWING US PATENTS:
5736910 5939955 6425781 6428361 6554638 6840817 7123117
7429195 7717749 7808751 6217391 6149050 7924130

REVISIONS

P	LTR	DESCRIPTION	DATE	DWN	APVD
	G	LOGO CHANGE	07APR2013	PP	KZ
	H	COMPANY LOGO CHANGE AND EC-1409035	08JAN2015	TYR	TYN

58.64

7

MagJack

1761889-X
YYWWD
CHINA

58.24

SCALE 2:1

5 LED1 TYP.

PORT A

LED2 TYP.

5

6

RJ8

RJ4

13.97

20.955

41.91

47.5

58.04

1.27^{+0.25}
-0.10

33.02

12.25

3.3

10.92

8.25

15.24

17.78

20.32

DIM A
MAG45 AND LEDS
SOLDER TAILS
16 PLC

3.68
SHIELD LEGS
2 PLC

59.39±0.08

0.25

13.08±0.08

1

2.03

SUGGESTED PANEL CUTOUT

CONNECTOR ASSEMBLED
TO PANEL AND PCB
SCALE 2:1

1. MATERIALS

HOUSING: THERMOPLASTIC, BLACK, FLAMMABILITY RATING UL 94V-0
SHIELD: BRASS, 0.20mm THICK, PREPLATED WITH MIN 0.76um SEMI-BRIGHT NICKEL
POST DIPPED WITH 2.54um MIN SAC SOLDER AT GROUND PINS.
CONTACT: PHOSPHOR BRONZE, 0.46mm X0.25mm
WITH 1.27um MIN OVERALL NICKEL UNDERPLATE AND
SELECTIVE 1.27um MIN GOLD PLATING AT MATING INTERFACE
SOLDER TAIL: COPPER CLADDED STEEL, 0.50mm SQUARE
PLATED WITH 2.54um MIN MATTE TIN
LIGHT PIPE: POLYCARBON, TRANSPARENT, RATING UL 94V-0
LED: DIFFUSED EPOXY LENS, 0.50mm SQUARE CARBON STEEL WIREFRAME LEADS
PREPLATED WITH 2.03um MIN SILVER OVER 1.02um MIN NICKEL UNDERPLATE
OVER 1.02um MIN COPPER UNDERPLATE; POST PLATED WITH 2.54um MIN MATTE TIN.
TIP TIN DIPPING

MAGNETICS

-APPLICATION: 10/100/1000 BASE-T
-IMPEDANCE: 100 OHMS
-TURNS RATIO (CHIP:CABLE): 1:1 ALL FOUR PAIRS
-OPEN CIRCUIT INDUCTANCE (OCL): 350uH MIN @100kHz, 0.1VRMS,
8mA DC BIAS FROM 0°C TO 70°C, ALL FOUR PAIRS
-ALL FOUR PAIRS BI-DIRECTIONAL
-PERFORMANCE @ 25°C:
INSERTION LOSS (IL): 1.1dB MAX FROM 0.5MHz TO 100MHz
RETURN LOSS (RL): 18dB MIN FROM 0.5MHz TO 40MHz
12-20LOG(f/80)dB MIN FROM 40.1MHz TO 100MHz
CROSSTALK ATTENUATION: 35dB MIN FROM 0.5MHz TO 40MHz
33-20LOG(f/50)dB MIN FROM 40.1MHz TO 100MHz
COMMON MODE REJECTION RATIO (CMRR): 30dB MIN FROM 0.5MHz TO 100MHz
-ISOLATION VOLTAGE:
1761889-11-2/-3, 2-1761889-11-2/-3 COMPLY WITH IEEE802.3 2002,
PARA 40.6.1.1, ITEM b.
1761889-8,6-1761889-8,8-1761889-8 COMPLY WITH IEEE802.3 2002,
PARA 40.6.1.1, ITEM a AND b.

THE MAGNETIC CIRCUIT ON ALL FOUR CHANNELS IS SYMMETRICAL AND SUPPORTS
AUTO-MDIX OPERATION.

4. OPERATING TEMPERATURE: 0°C - 70°C

LEDS ARE DRIVEN WITH CONSTANT CURRENT AT APPROX 20mA.

LED COLOR: DOMINANT WAVELENGTH (λD): GREEN 568 nm TYP. at IF=20mA
FORWARD VOLTAGE (VF): GREEN 2.2V TYP. at IF=20mA
DOMINANT WAVELENGTH (λD): YELLOW 588 nm TYP. at IF=20mA
FORWARD VOLTAGE (VF): YELLOW 2.1V TYP. at IF=20mA
DOMINANT WAVELENGTH (λD): ORANGE 610 nm TYP. at IF=20mA
FORWARD VOLTAGE (VF): ORANGE 2.1V TYP. at IF=20mA

RJ45 CAVITY CONFORMS TO FCC RULES AND REGULATION PART 68 SUBPART F.

TRP CONNECTOR LOGO, PART NUMBER, DATE CODE, COUNTRY OF ORIGIN,
AGENCY APPROVAL MARKING IN APPROPRIATE LOCATION SHOWN. DATE CODE
YY IS YEAR, WW IS WORK WEEK, D IS DAY OF WEEK WITH SUNDAY=18. THESE PARTS ARE RECOMMENDED FOR WAVE SOLDERING PROCESS, PEAK WAVE
SOLDERING TEMPERATURE IS 265°C, 10sec MAX.

3.18	GREEN	YELLOW	8-1761889-8
3.18	GREEN	GREEN/YELLOW	2-1761889-3
3.18	GREEN/ORANGE	YELLOW	2-1761889-2
3.18	GREEN	GREEN	2-1761889-1
2.74	GREEN	YELLOW	6-1761889-8
3.18	GREEN/YELLOW	GREEN	1761889-8
2.74	GREEN	GREEN/YELLOW	1761889-3
2.74	GREEN/ORANGE	YELLOW	1761889-2
2.74	GREEN	GREEN	1761889-1
DIM A	LED1	LED2	PART NUMBER

THIS DRAWING IS A CONTROLLED DOCUMENT.

DWN
KEITH ZHU 21JUN2005CHK
TEDDY XIONG 21JUN2005APVD
TEDDY XIONG 21JUN2005

MODEL NAME

MAGJACK

GANG NON-POE

SIZE
A2CAGE CODE
C-1761889DRAWING NO
C-1761889RESTRICTED TO
-

CUSTOMER DRAWING

SCALE 2:1

SHEET 1 OF 2

REV H

trp CONNECTOR
a bel group

DONGGUAN
CHINADESC
1X4 1G27 GIGABIT
TAB UP LOW PROFILE W/ LEDSIZE
A2CAGE CODE
C-1761889DRAWING NO
C-1761889RESTRICTED TO
-

CUSTOMER DRAWING

SCALE 2:1

SHEET 1 OF 2

REV H

DIMENSIONS:
mmTOLERANCES UNLESS
OTHERWISE SPECIFIED:

0 PLC ±

1 PLC ±0.25

2 PLC ±0.25

3 PLC ±0.25

4 PLC ±

ANGLES ±

APPLICATION SPEC

PRODUCT SPEC

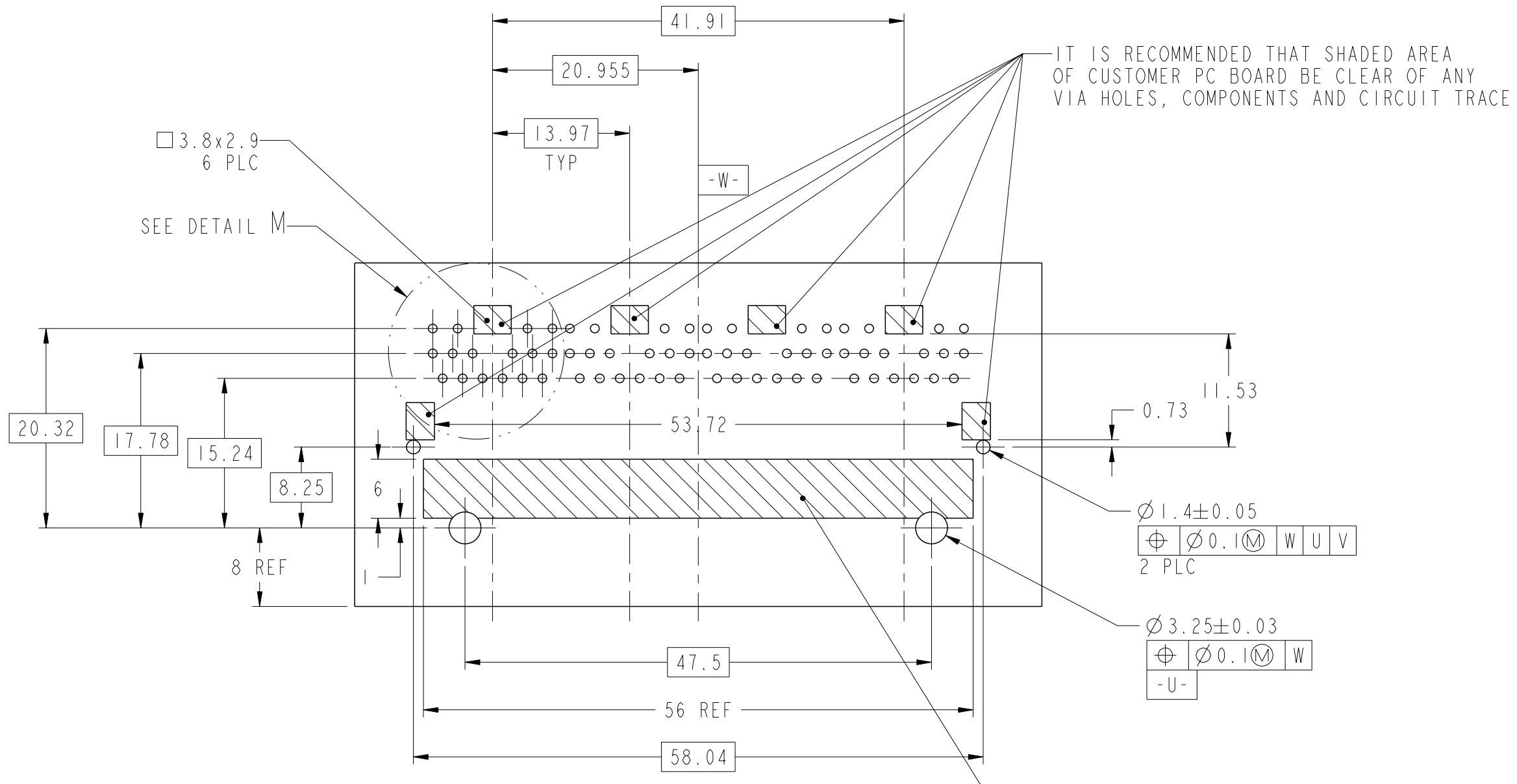
108-2100

-

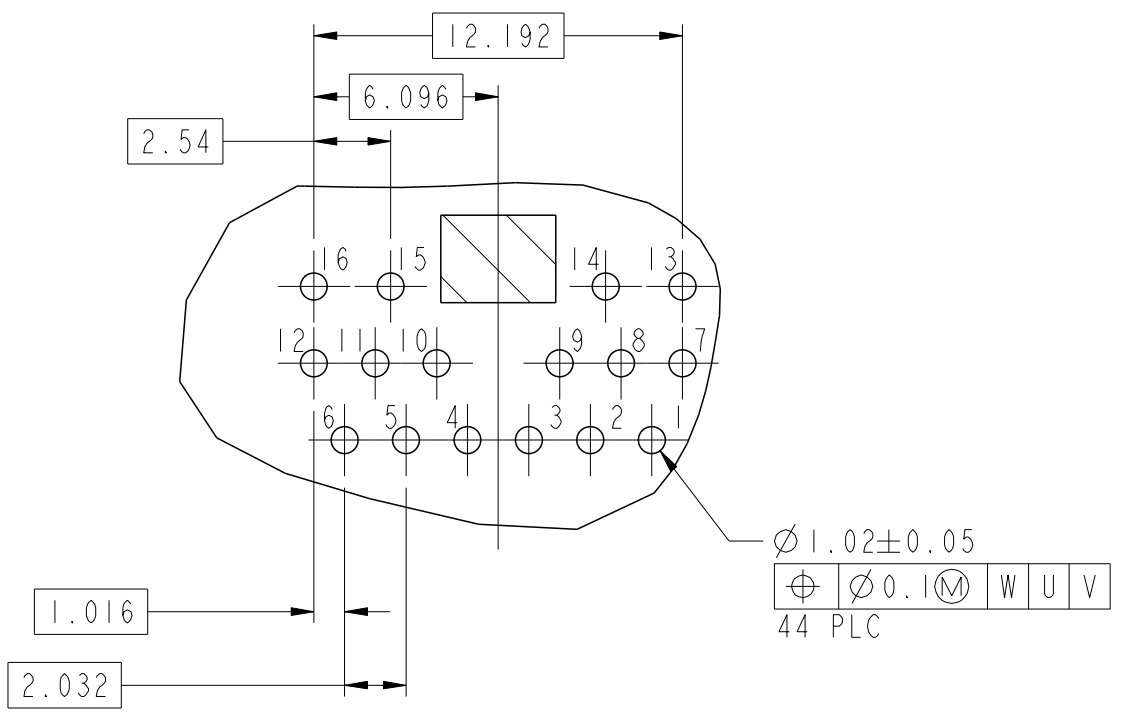
-

-

XXXX

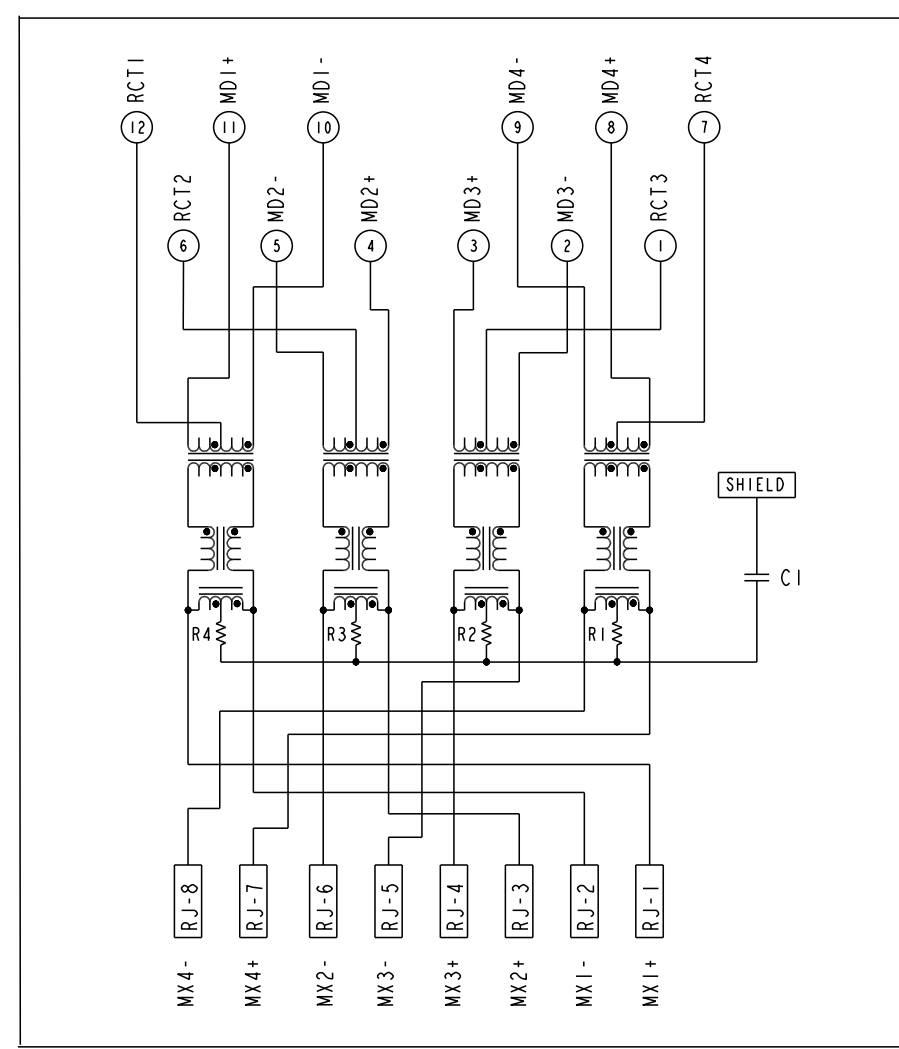


SUGGESTED PCB FOOTPRINT COMPONENT SIDE SCALE 2:1

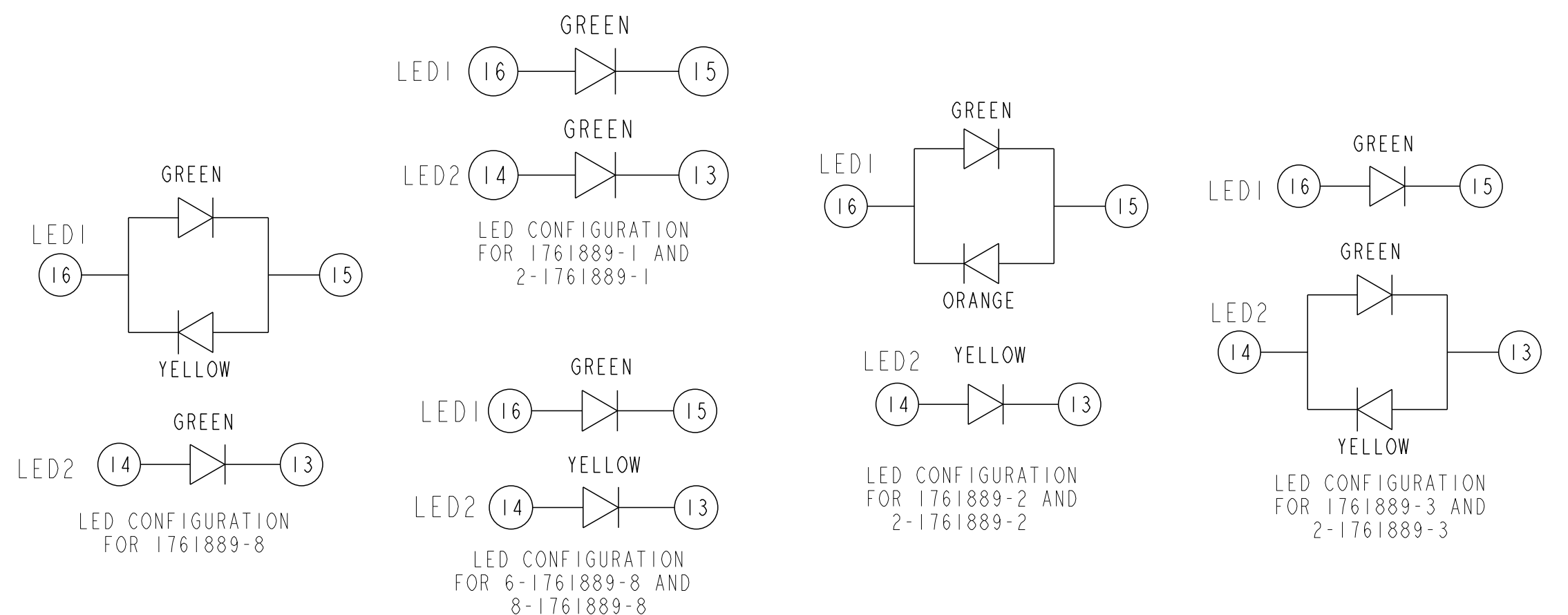


DETAIL M SCALE 4:1

1G27 GIGABIT CIRCUIT



R1-R4=75 Ohms, 5%, 1/16W RESISTORS
 C1=1000pF, 3kV CAPACITOR FOR 1761889-8,6-1761889-8,8-1761889-8 ONLY.
 C1=1000pF, 2kV CAPACITOR FOR 1761889-1/-2/-3 & 2-1761889-1/-2/-3 ONLY.



THIS DRAWING IS A CONTROLLED DOCUMENT.		DWN KEITH ZHU 21JUN2005	<p>trp CONNECTOR a bel group</p>	DONGGUAN CHINA		
DIMENSIONS: mm		CHK TEDDY XIONG 21JUN2005		DESC 1X4 1G27 GIGABIT TAB UP LOW PROFILE W/ LED		
TOLERANCES UNLESS OTHERWISE SPECIFIED:		APVD TEDDY XIONG 21JUN2005				
0 PLC ± 1 PLC ±0.25 2 PLC ±0.25 3 PLC ±0.25 4 PLC ± ANGLES ± APPLICATION SPEC		MODEL NAME MAGJACK GANG NON-POE		SIZE A2	CAGE CODE C-1761889	RESTRICTED TO -
PRODUCT SPEC 108-2100		CUSTOMER DRAWING		SCALE 2:1	SHEET 2 OF 2	