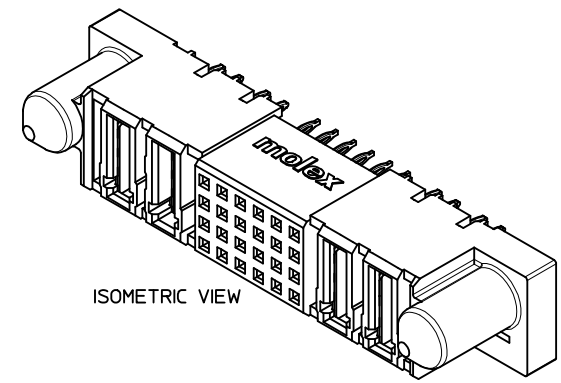
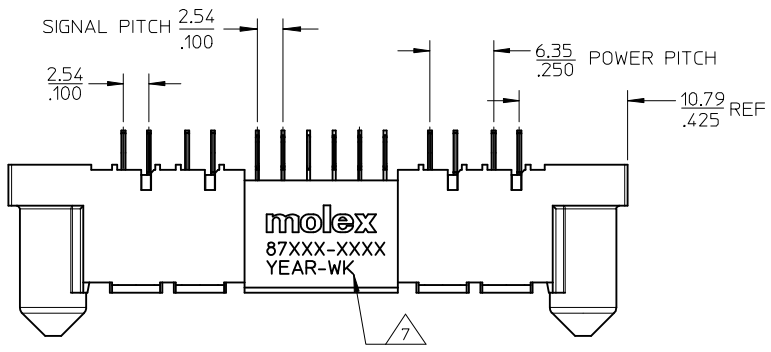


10 9 8 7 6 5 4 3 2 1

F

F



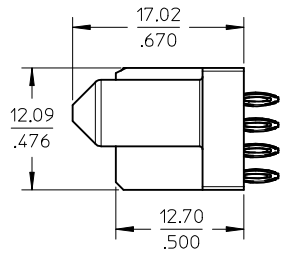
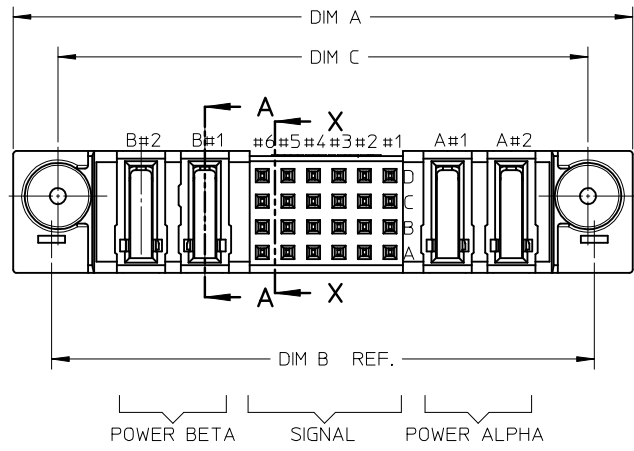
ISOMETRIC VIEW

E

E

D

D



C

C

B

B

A

A

REVISED EC NO: S2014-0060 DRWN:SKANG 2013/07/15 CHKD:MLONG 2013/09/06 APPR:MLONG 2013/09/09	DESCRIPTION REV	QUALITY SYMBOLS	GENERAL TOLERANCES (UNLESS SPECIFIED)		DIMENSION STYLE MM/IN		SCALE NTS	DESIGN UNITS METRIC	THIRD ANGLE PROJECTION
		$\nabla_F=0$ $\nabla_E=0$ $\nabla_B=0$	4 PLACES ± --- ± --- 3 PLACES ± --- ± --- 2 PLACES ± 0.13 ± --- 1 PLACE ± 0.25 ± --- 0 PLACE ± ±	mm INCH	DRAWN BY KMG0H CHECKED BY PTLIM APPROVED BY SKTOH MATERIAL NO. SEE TABLE	DATE 2002/09/12 DATE 2002/11/21 DATE 2002/11/21	TITLE DPS CONNECTOR RECEPTACLE P(B)-S-P(A) CONFIG. VERTICAL PRESS-FIT molex	DOCUMENT NO. SD-87695-011	SHEET NO. 1 OF 3
		ANGULAR ± 3 ° DRAFT WHERE APPLICABLE MUST REMAIN WITHIN DIMENSIONS	THIS DRAWING CONTAINS INFORMATION THAT IS PROPRIETARY TO MOLEX INCORPORATED AND SHOULD NOT BE USED WITHOUT WRITTEN PERMISSION						
		D1							

9 8 7 6 5 4 3 2 1

10 9 8 7 6 5 4 3 2 1

F

E

D

C

B

A

F

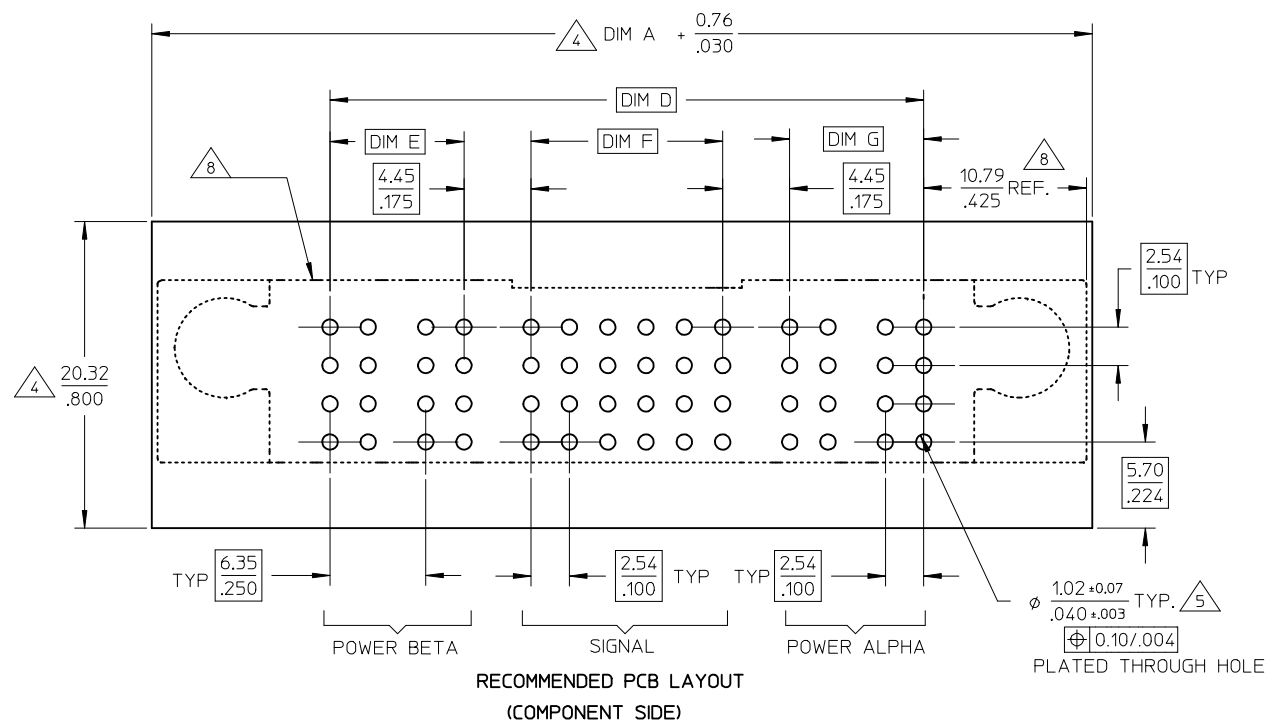
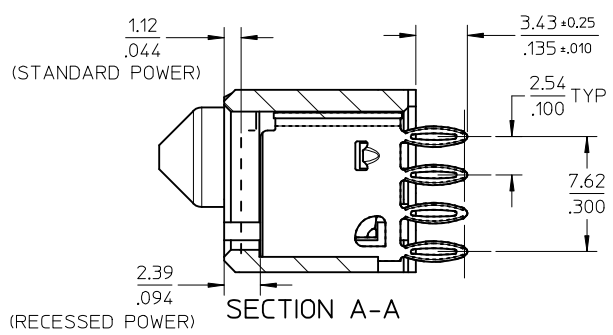
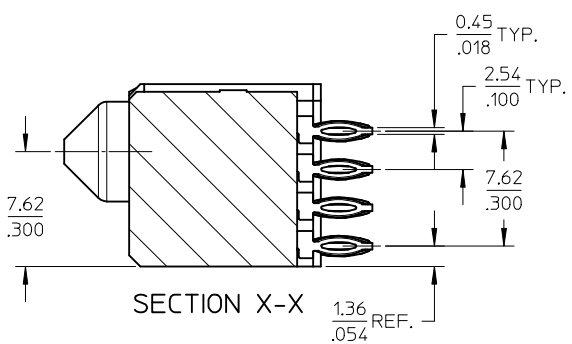
E

D

C

B

A



REVISED EC NO: S2014-0060 DRWN:SKANG 2013/07/15 CHKD:MLONG 2013/09/06 APPR:MLONG 2013/09/09	QUALITY SYMBOLS $F_A=0$ $F_C=0$ $F_P=0$	GENERAL TOLERANCES (UNLESS SPECIFIED)		DIMENSION STYLE MM/IN		SCALE NTS	DESIGN UNITS METRIC	THIRD ANGLE PROJECTION		
			mm	INCH	DRAWN BY	DATE	TITLE DPS CONNECTOR RECEPTACLE P(B)-S-P(A) CONFIG. VERTICAL PRESS-FIT			
		4 PLACES	± ---	± ---	KMGOH	2002/09/12	molex			
		3 PLACES	± ---	± ---	CHECKED BY	DATE	DOCUMENT NO. SD-87695-011			
	2 PLACES	± 0.13	± ---	PTLIM	2002/11/21	SHEET NO. 2 OF 3				
	1 PLACE	± 0.25	± ---	APPROVED BY	DATE	THIS DRAWING CONTAINS INFORMATION THAT IS PROPRIETARY TO MOLEX INCORPORATED AND SHOULD NOT BE USED WITHOUT WRITTEN PERMISSION				
	0 PLACE	±	±	SKTOH	2002/11/21					
	ANGULAR ± 3 °		MATERIAL NO. SEE TABLE							
DRAFT WHERE APPLICABLE MUST REMAIN WITHIN DIMENSIONS										

9 8 7 6 5 4 3 2 1

10	9			8	7			6			5	4	3	2	1
	PART NUMBER	P-S-P CONFIGURATION POWER BETA	SIGNAL		POWER ALPHA	RECESSED POWER CIRCUIT	DIM A	DIM B	DIM C	DIM D					
F	87695-1001	1	24	1	NIL	48.90 1.925	41.28 1.625	40.01 1.575	26.67 1.050	2.54 .100	12.70 .500	2.54 .100	TRAY		
	87695-1007	1	24	1	B#1	48.90 1.925	41.28 1.625	40.01 1.575	26.67 1.050	2.54 .100	12.70 .500	2.54 .100	TRAY		
	87695-1008	1	24	1	A#1	48.90 1.925	41.28 1.625	40.01 1.575	26.67 1.050	2.54 .100	12.70 .500	2.54 .100	TRAY		

CONNECTOR - NOTES

1. MATERIALS :

HOUSING - HIGH TEMPERATURE THERMO-PLASTIC,
GLASS FILLED, UL94-0,COLOR:BLACK.

POWER PIN - COPPER ALLOY

2. PLATING :

POWER CONTACTS

0.76 MICROMETER MINIMUM GOLD (Au) AT CONTACT AREA AND

2.54 MICROMETER MINIMUM TIN AT SOLDER TAIL AREA

OVER 1.27um MIN. NICKEL (Ni) UNDERPLATE.

3. PRODUCT SPECIFICATION: PS-87695-006.

4. COMPONENT STAY AWAY ZONE FROM CONNECTOR.

5. PCB NOTE FOR DIAMETER 1.02/.040 PLATED HOLE.

- DRILLED HOLE SIZE IS 1.151/.0453

- PLATE WITH 0.007/.0003 MINIMUM TIN OVER 0.03/.001

TO 0.08/.003 COPPER PLATING TO ACHIEVE 1.02+0.08/.040+.003 HOLE.

SEE SHEET 2 FOR RECOMMENDED PCB LAYOUT.

6. 2P(B)-24S-2P(A) CONFIGURATION IS SHOWN FOR ILLUSTRATION ONLY.

7. MANUFACTURER LOGO, PART NUMBER AND YEAR-WEEK CODE.

8. IMAGINARY LINE & DIMENSION TO POSITION AND PROVIDE
CONNECTOR ORIENTATION W.R.T. TO PCB LAYOUT.

REVISED EC NO: S2014-0060 DRWN:SKANG 2013/07/15 CHKD:MLONG 2013/09/06 APPR:MLONG 2013/09/09 REV D1	QUALITY SYMBOLS	GENERAL TOLERANCES (UNLESS SPECIFIED)	DIMENSION STYLE	SCALE	DESIGN UNITS	THIRD ANGLE PROJECTION																																
	$F_A=0$ $F_G=0$ $F_P=0$	<table border="1"> <thead> <tr> <th></th> <th>mm</th> <th>INCH</th> </tr> </thead> <tbody> <tr> <td>4 PLACES</td> <td>± ---</td> <td>± ---</td> </tr> <tr> <td>3 PLACES</td> <td>± ---</td> <td>± ---</td> </tr> <tr> <td>2 PLACES</td> <td>± 0.13</td> <td>± ---</td> </tr> <tr> <td>1 PLACE</td> <td>± 0.25</td> <td>± ---</td> </tr> <tr> <td>0 PLACE</td> <td>±</td> <td>±</td> </tr> </tbody> </table>		mm	INCH	4 PLACES	± ---	± ---	3 PLACES	± ---	± ---	2 PLACES	± 0.13	± ---	1 PLACE	± 0.25	± ---	0 PLACE	±	±	<table border="1"> <thead> <tr> <th colspan="2">MM/IN</th> </tr> </thead> <tbody> <tr> <td>DRAWN BY</td> <td>DATE</td> </tr> <tr> <td>KMGOH</td> <td>2002/09/12</td> </tr> <tr> <td>CHECKED BY</td> <td>DATE</td> </tr> <tr> <td>PTLIM</td> <td>2002/11/21</td> </tr> <tr> <td>APPROVED BY</td> <td>DATE</td> </tr> <tr> <td>SKTOH</td> <td>2002/11/21</td> </tr> </tbody> </table>	MM/IN		DRAWN BY	DATE	KMGOH	2002/09/12	CHECKED BY	DATE	PTLIM	2002/11/21	APPROVED BY	DATE	SKTOH	2002/11/21	NTS	METRIC	
		mm	INCH																																			
	4 PLACES	± ---	± ---																																			
3 PLACES	± ---	± ---																																				
2 PLACES	± 0.13	± ---																																				
1 PLACE	± 0.25	± ---																																				
0 PLACE	±	±																																				
MM/IN																																						
DRAWN BY	DATE																																					
KMGOH	2002/09/12																																					
CHECKED BY	DATE																																					
PTLIM	2002/11/21																																					
APPROVED BY	DATE																																					
SKTOH	2002/11/21																																					
DESCRIPTION	ANGULAR ± 3 ° DRAFT WHERE APPLICABLE MUST REMAIN WITHIN DIMENSIONS	MATERIAL NO. SEE TABLE	TITLE DPS CONNECTOR RECEPTACLE P(B)-S-P(A) CONFIG. VERTICAL PRESS-FIT	molex DOCUMENT NO. SD-87695-011	SHEET NO. 3 OF 3	THIS DRAWING CONTAINS INFORMATION THAT IS PROPRIETARY TO MOLEX INCORPORATED AND SHOULD NOT BE USED WITHOUT WRITTEN PERMISSION																																