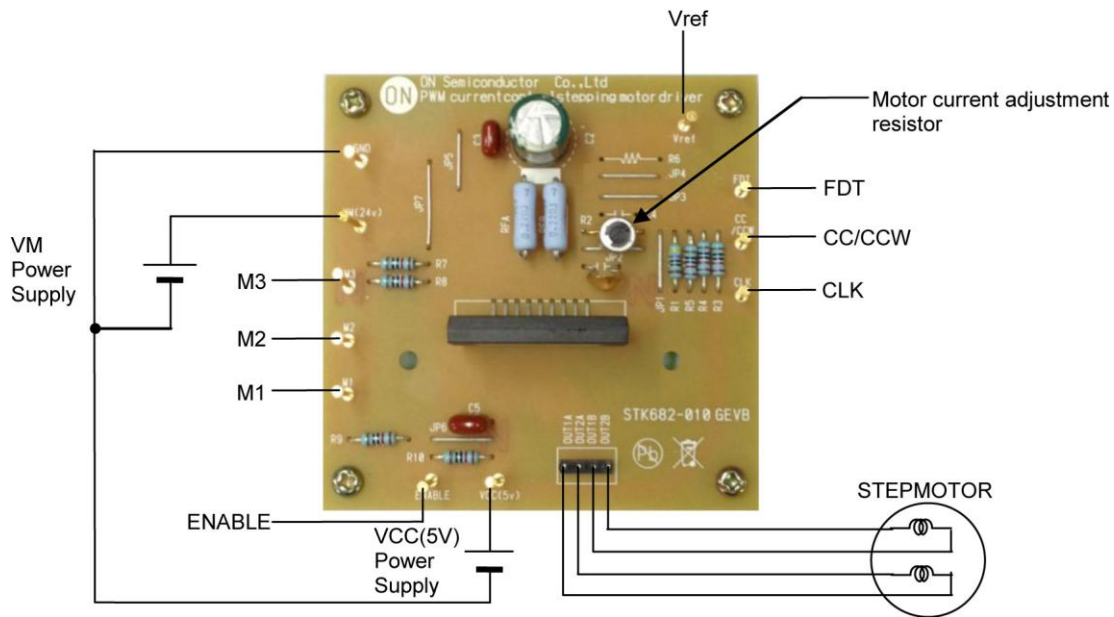


Test Procedure for the STK682-010GEVB Evaluation Board



Evaluation Board Setup

[Supply Voltage] VM (10 to 30V): Power Supply for Step motor
VCC (5V) : Power Supply for internal logic IC

[Operation Guide]

1. Motor Connection:
Connect the stepping motor to A, AB, B and BB.
2. Initial Condition Setting:
Set "ON or OFF" M1 to M3 depend on step mode, and set ENABL"H"
set FDT:Slow→to 3.5v,MIX→1.1V to 3.1V or OPEN,FAST→to 0.8V
set "ON or OFF" CC/CCW, and set low CLK.
3. Power Supply:
At first, supply DC voltage to VCC, and VREF.
Next, supply DC voltage to VM.
4. Ready for Operation from Standby State:
Turn "OFF" the slide ENABLE.
5. Motor Operation: Input the CLK signal into the terminal CLK.