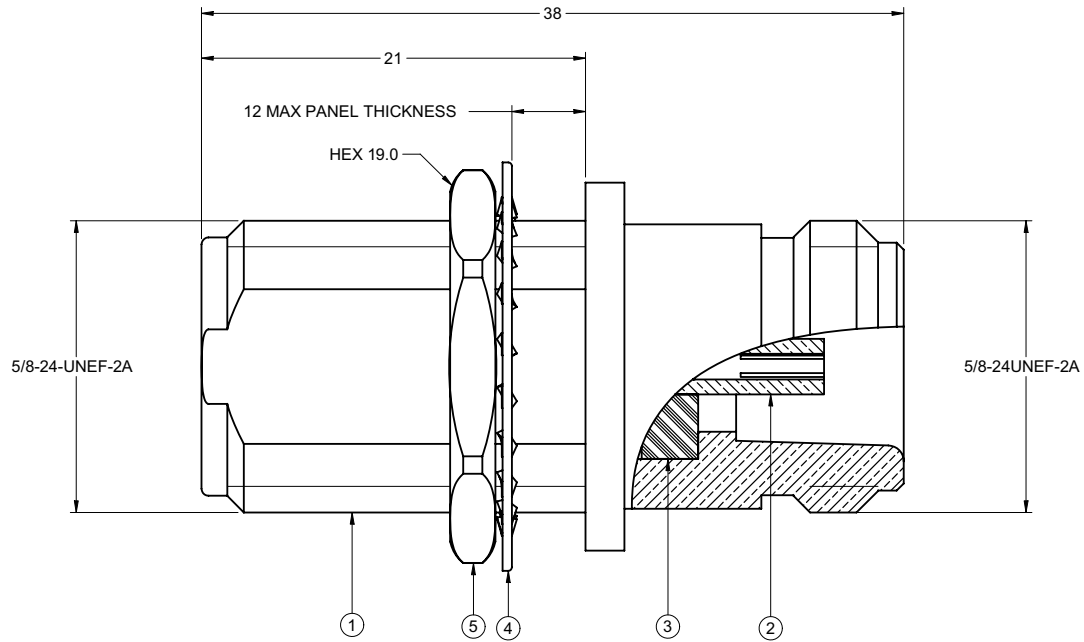


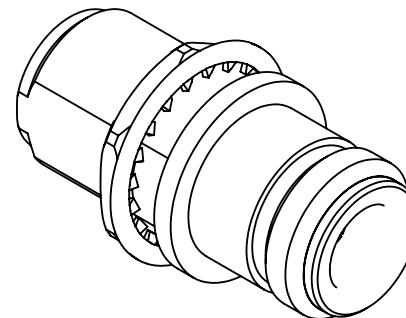
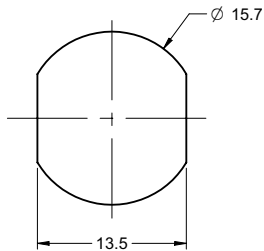
| | | | | | |
|-------------|------------------------|-------------------------|---------------------|------------------------|------------------------|
| PART NUMBER | ITEM ① BODY | ITEM ② CONTACT | ITEM ③ INSULATOR | ITEM ④ LOCK WASHER | ITEM ⑤ MOUNTING NUT |
| CP-AD851 | BRASS NICKEL PLATED | BERYLLIN GOLD PLATED | TEFLON | STEEL NICKEL PLATED | BRASS NICKEL PLATED |

| | | | | | |
|------------------------|----------|-----------|----|------------------|-----------|
| 受控 CONTROLLED DOCUMENT | | | | | |
| 编号 P/N | CP-AD851 | 版本 Rev | 0A | 日期 Rel'd Date | Mar 24,08 |

| | | | | | |
|-------------------------|----------|---|---|---|--|
| DRAWING NO. CP-AD851 | | | | | |
| REVISIONS | | | | | |
| RELEASE FOR QUATION | | | | | |
| A | 06-10-06 | L | Y | T | |



RECOMMENDED MOUNTING HOLE DIMENSIONS



NOTES:

1. ELECTRICAL SPECIFICATIONS

IMPEDANCE: 50 OHMS NOMINAL
 FREQUENCY RANGE: 0-11 GHz
 WORKING VOLTAGE: 500 VOLTS RMS AT SEA LEVEL
 DIELECTRIC WITHSTANDING VOLTAGE: 1500 VOLTS RMS AT SEA LEVEL
 CORONA LEVEL: 375 VOLTS MIN AT 70,000 FEET
 CONTACT RESISTANCE: OUTER-0.2 MILLIOHMS MAX
 CENTER-2.1 MILLIOHMS MAX
 INSULATION RESISTANCE: 5000 MEGOHMS MIN

2. MECHANICAL SPECIFICATIONS

DURABILITY: 500 CYCLES MIN

3. ENVIRONMENTAL SPECIFICATIONS

RECOMMENDED TEMPERATURE RANGE: -55 °C TO +85 °C
 MOISTURE RESISTANCE: MIL-STD-202

THIS DRAWING TO BE INTERPRETED
 PER ANSI Y 14.5M - 1994

COMPANY CONFIDENTIAL

| | | | |
|--------------------------------------|--------|------------------------|------------------|
| TOLERANCE UNLESS OTHERWISE SPECIFIED | | DRAWN BY LINDA.WU | DATE 06-10-06 |
| DECIMALS | mm | CHECKED BY BETTY.YU | DATE 06-10-06 |
| X | ± 0.5 | APPROVED BY THOMAS | DATE 06-10-06 |
| X.X | ± 0.2 | | |
| X.XX | ± 0.1 | | |
| ANGLES | ± 0.5° | U/M | mm |

| | | |
|--|-------------------------|-----------|
| | | |
| TITLE N JACK TO BULKHEAD JACK ADAPTER | | |
| SHEET 1 OF 1 | DRAWING NO. CP-AD851 | SIZE C |

THIS DRAWING WAS PRODUCED BY COMPUTER,
 DO NOT SCALE DRAWING OR UPDATE MANUALLY.