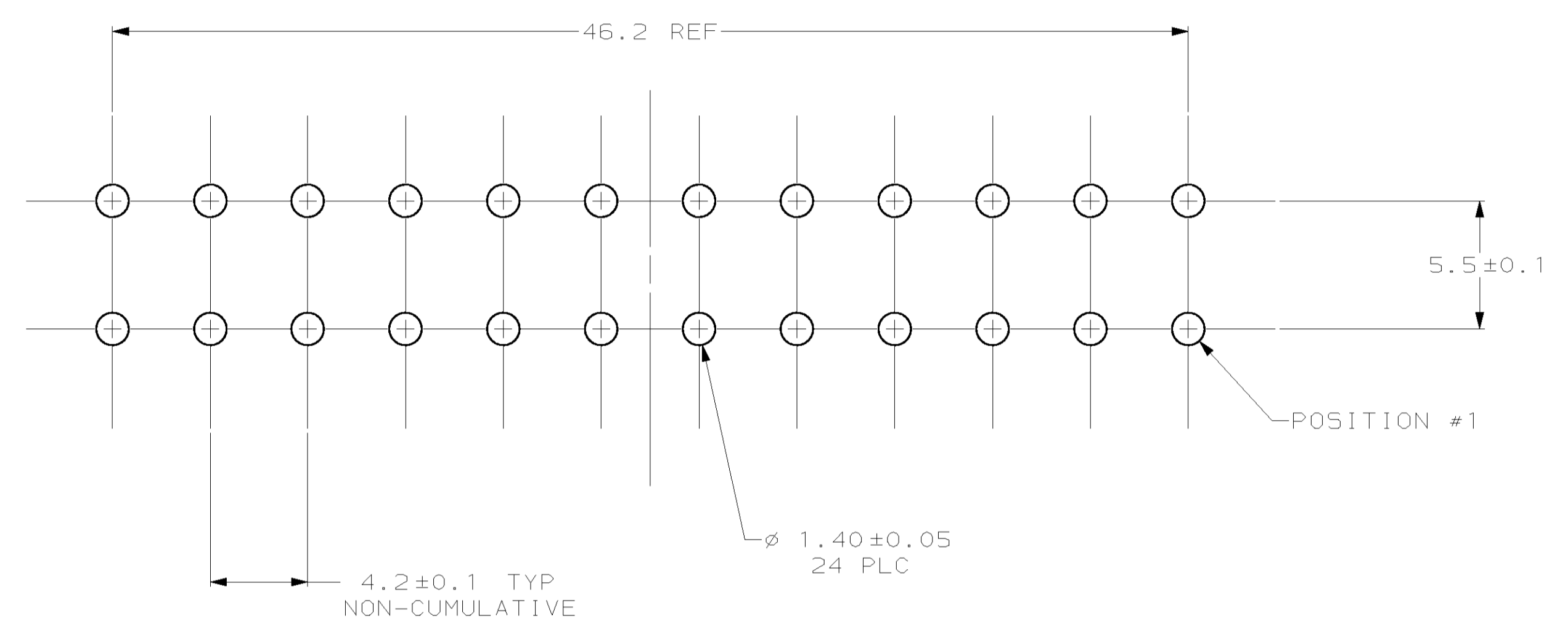
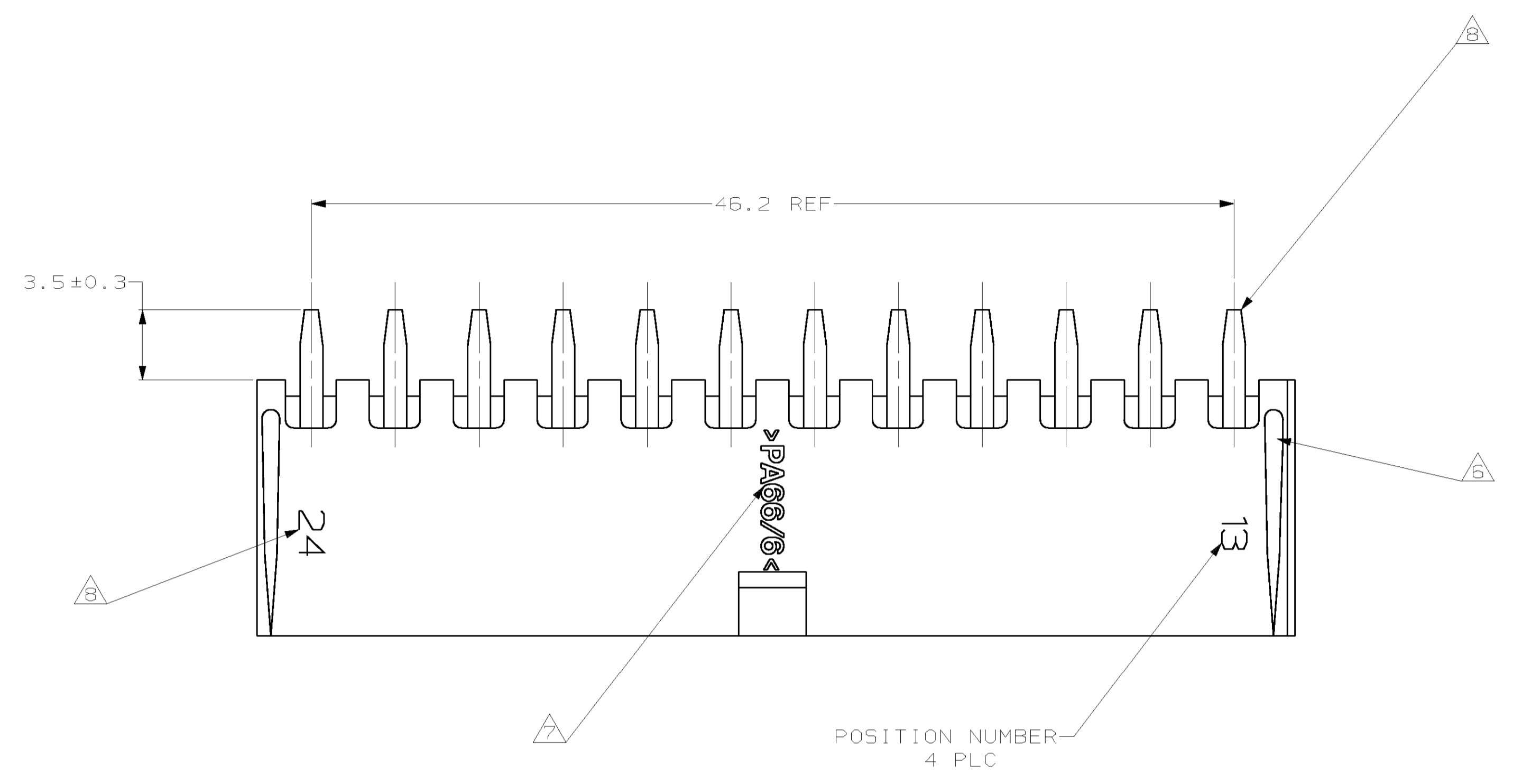
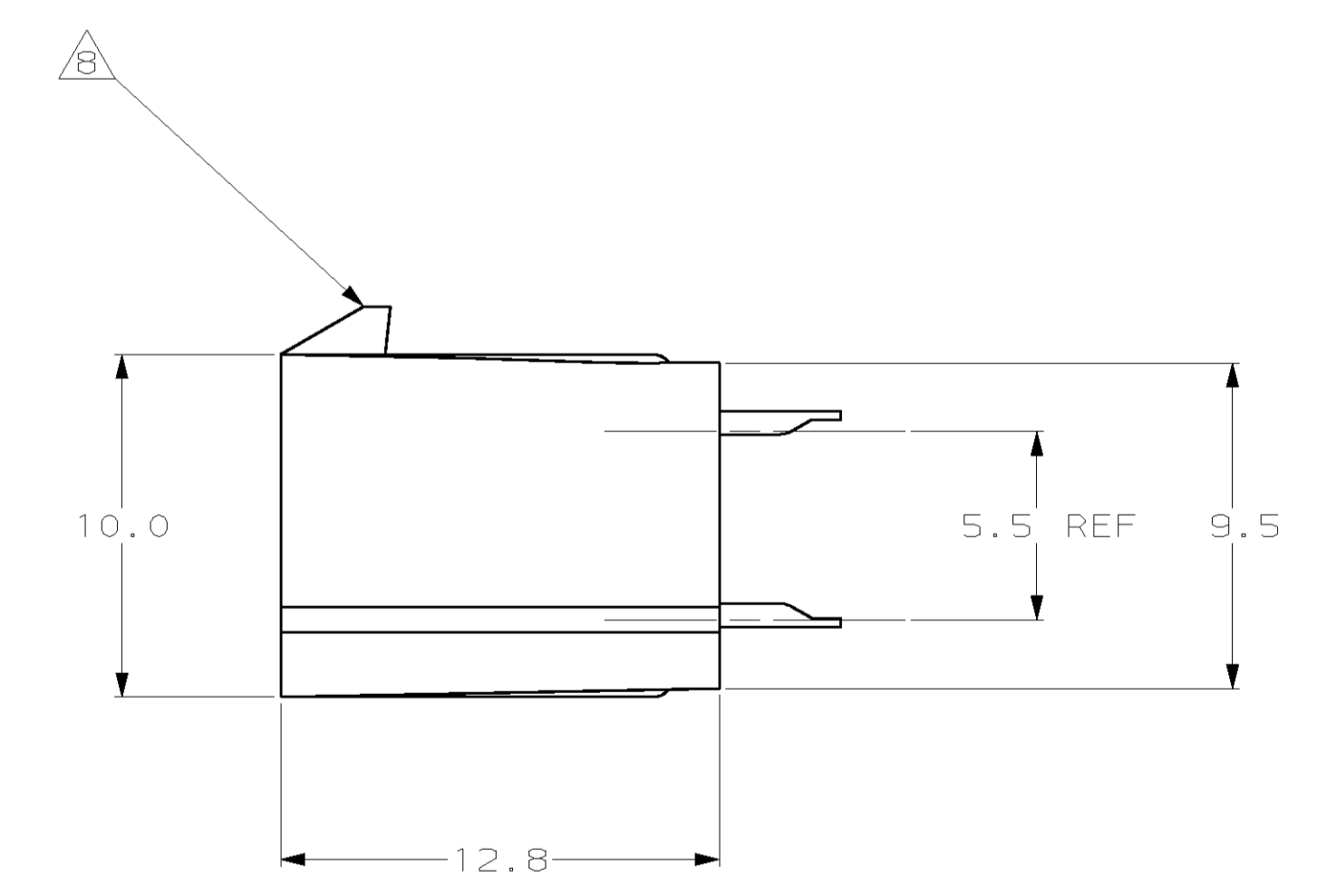
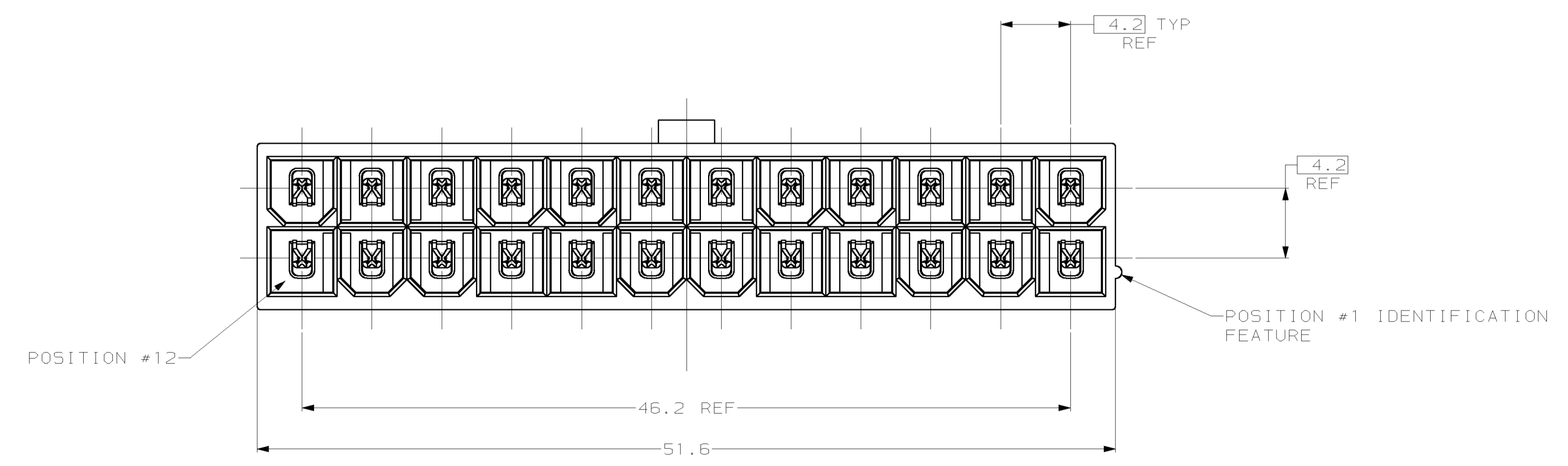


LOC		DIST		REVISIONS			
REV	DATE	BY	CHK	DESCRIPTION	DATE	OWN	APVD
B	REV PER EC	051C-0041-99			15-NOV-99	JCB	WCC

- ① MATERIAL: HOUSING - NYLON, UL94V-0 (COLOR - NATURAL, COLOR OF PARTS MAY VARY). CONTACTS - 0.25 THK COPPER ALLOY.
- ② CONTACT FINISH: 0.003 MIN THK TIN-LEAD OVER 0.00127 MIN THK NICKEL OVER ENTIRE CONTACT.
- ③ CONTACT FINISH: 0.00076 MIN THK GOLD PLATE ON PIN MATING SURFACE, 0.003 MIN THK TIN-LEAD PLATE ON SOLDER TAIL, ALL OVER 0.00127 MIN THK NICKEL BASE PLATE.
- 4. SOLDER TAIL MEETS AMP SOLDERABILITY SPECIFICATION 109-11-2.
- 5. MATES WITH SIMILARLY PLATED AMP-DUAC™ POWER CONNECTOR RECEPTACLE HOUSINGS/SOCKET CONTACTS.
- ⑥ RIBS ON FOUR CORNERS OPTIONAL.
- ⑦ AMP LOGO AND MATERIAL ID MAY BE LOCATED ON EITHER LONG SIDE OF PART.
- ⑧ SIZE, SHAPE OR STYLE OF THIS FEATURE MAY VARY.



RECOMMENDED MOUNTING HOLE PATTERN FOR 1.78 MAX THICK P.C. BOARD COMPONENT SIDE SHOWN



①	③	①	①	794494-2
①	②	①	①	794494-1
CONTACT		HOUSING		
MATERIAL	FINISH	MATERIAL	COLOR	PART NO
THIS DRAWING IS A CONTROLLED DOCUMENT.				
DIMENSIONS: mm		TOLERANCES UNLESS OTHERWISE SPECIFIED:		
0 PLC ± 1 PLC ±0.2 2 PLC ±0.13 3 PLC ± 4 PLC ± ANGLES ±°'30"		DWN: R. VESTAL 6-11-98 CHK: R. SWING 6-11-98 CASH 6-11-98 NAME: AMP Incorporated HARRISBURG, PA 17105-3608 PRODUCT SPEC: 108-1699 APPLICATION SPEC: 94V-0, AMP-DUAC™ POWER CONNECTOR		
MATERIAL	FINISH	WEIGHT	SIZE	RESTRICTED TO
SEE TABLE	SEE TABLE	-	A1 00779 C-794494	-
CUSTOMER DRAWING		SCALE	SHEET	REV
		5:1	1 OF 1	B

