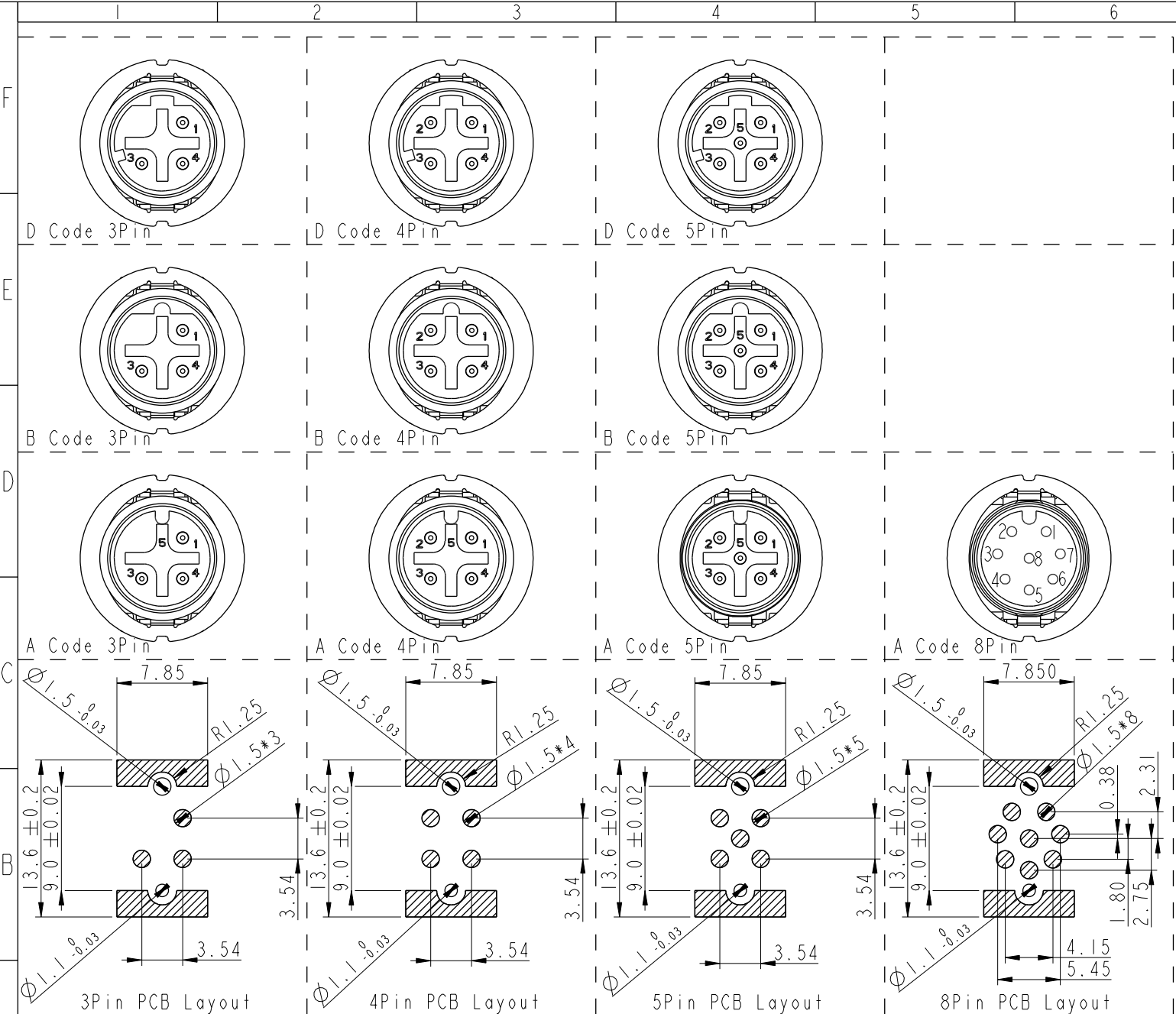




THIS DOCUMENT IS SUBJECT TO CHANGE WITHOUT NOTICE. IT IS CONFIDENTIAL AND A PROPERTY OF Amphenol LTW. DISCLOSURE TO THIRD PARTY HAS TO BE AUTHORIZED BY Amphenol LTW.

**ALTW**  
**CONFIDENTIAL**  
 2017-12-16  
**R&D DEPT.**

**ALTW**  
 DCC. DEPT.  
 CONFIDENTIAL  
 2018.01.11  
**ISSUED**



UNIT: mm			
TOLERANCE			
.X	±0.25		
.XX	±0.1		
.XXX	±0.05		
ANGLES	±1°		

TITLE M12 M CONN M PIN SMT TYPE			
SCALE 1:1	SIZE A4	SHEET 2 OF 4	
REV. A	WC-REV. A.3	☉: Inspection item	

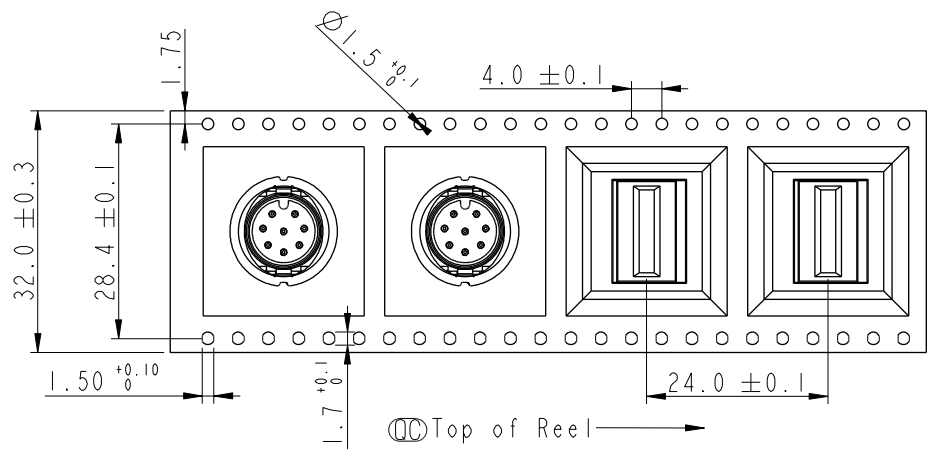
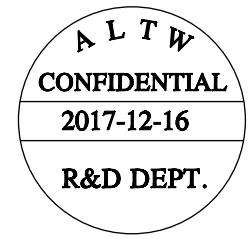
**Amphenol LTW**  
**安費諾亮泰企業股份有限公司**

ITEM NO	DWG NO
	MSXS-XXPMT-EE8XXX
CUSTOMER	
ALTW	

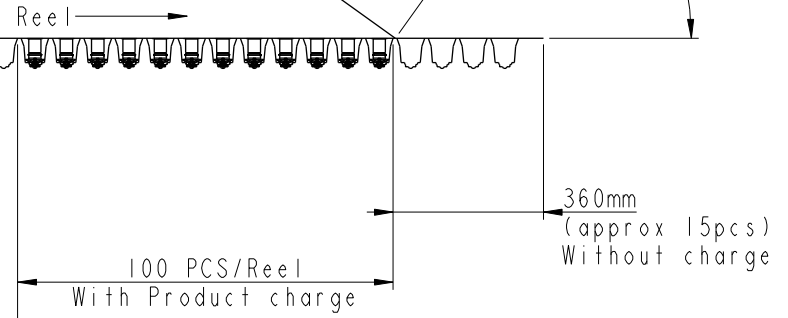
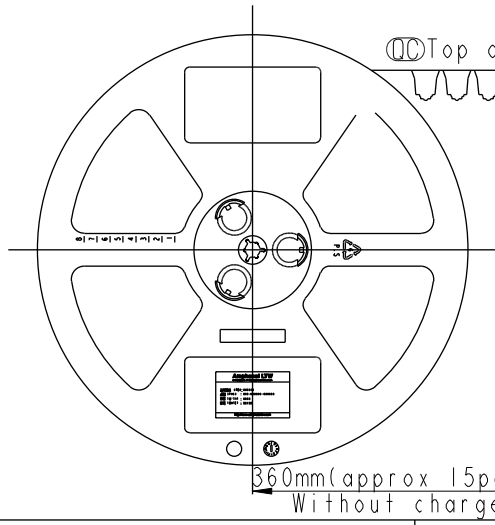
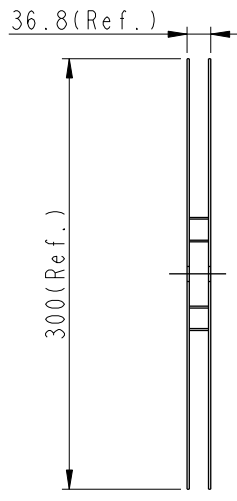
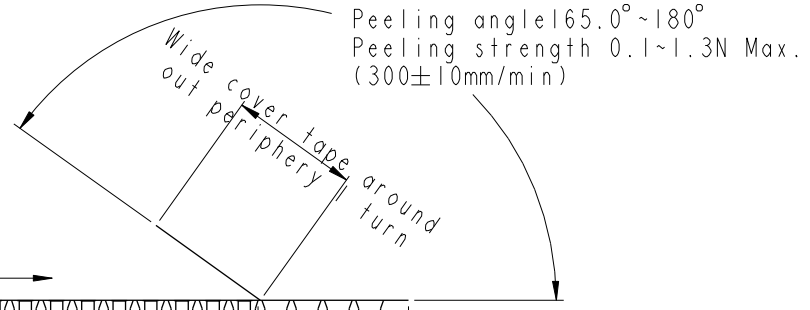
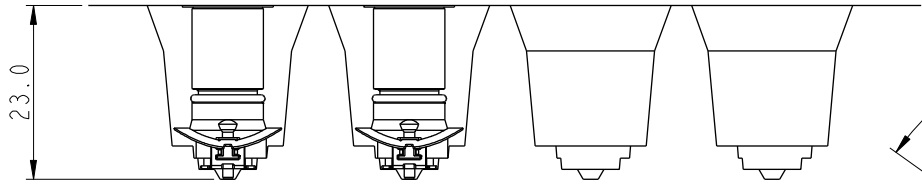
DRAWN BY	CHECKED BY
Arvin Chan	Aric Ko
APPROVED BY	
Kevin Hu	

DATE	DATE
2017-12-16	2017-12-16
DATE	DATE
2017-12-16	2017-12-16

THIS DOCUMENT IS SUBJECT TO CHANGE WITHOUT NOTICE. IT IS CONFIDENTIAL AND A PROPERTY OF AMPHENOL LTW. DISCLOSURE TO THIRD PARTY HAS TO BE AUTHORIZED BY AMPHENOL LTW.



Note :  
 ◎◎ \* Connector Orientat follow Drawing



UNIT: mm		
TOLERANCE	.X ±0.25	
.XX ±0.1		
.XXX ±0.05		
ANGLES	±1°	

TITLE M12 M CONN M PIN SMT TYPE			
SCALE 1:1	SIZE A4	SHEET 3 OF 4	
REV. A	WC-REV. A.3	◎◎: Inspection item	

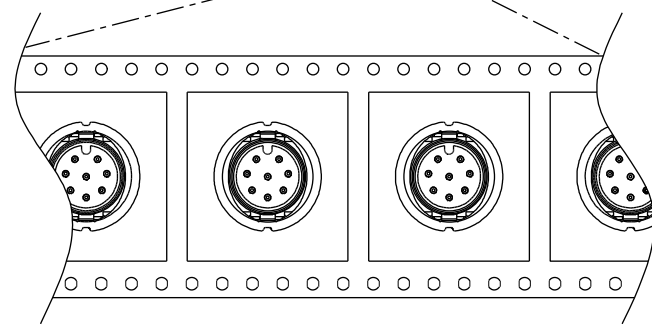
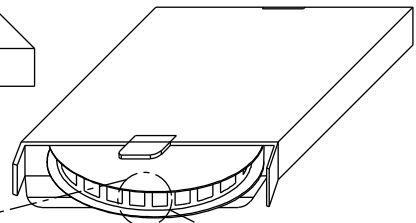
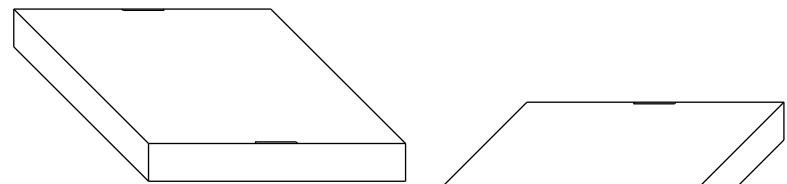
**Amphenol LTW**  
 安費諾亮泰企業股份有限公司

ITEM NO	DRAWN BY Arvin Chan	DATE 2017-12-16
DWG NO MSXS-XXPMMT-EE8XXX	CHECKED BY Aric Ko	DATE 2017-12-16
CUSTOMER ALTW	APPROVED BY Kevin Hu	DATE 2017-12-16

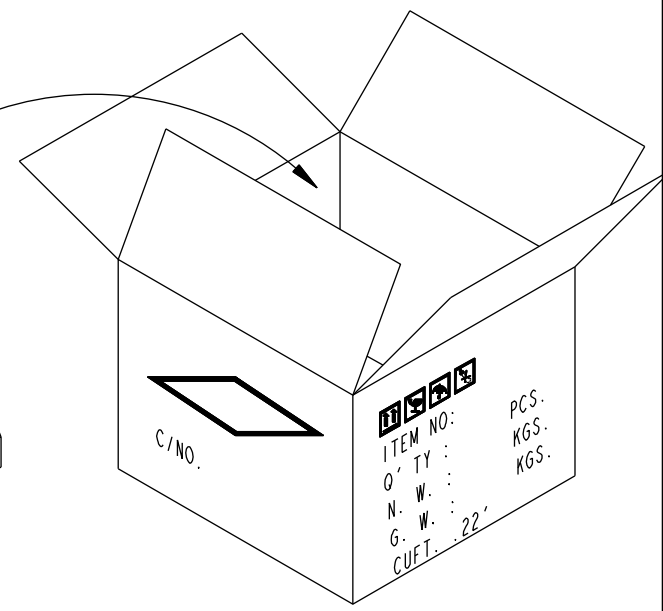
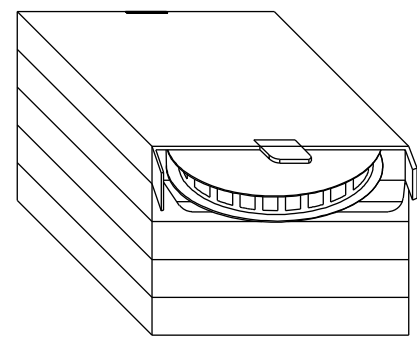
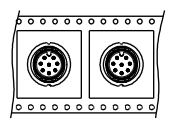
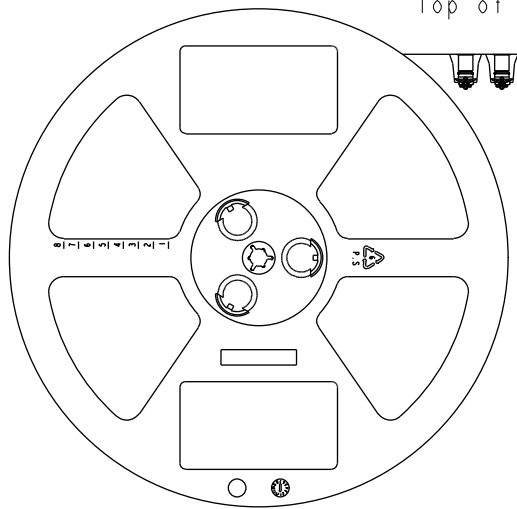
THIS DOCUMENT IS SUBJECT TO CHANGE WITHOUT NOTICE. IT IS CONFIDENTIAL AND A PROPERTY OF AMPHENOL LTW. DISCLOSURE TO THIRD PARTY HAS TO BE AUTHORIZED BY AMPHENOL LTW.

**ALTW**  
**CONFIDENTIAL**  
 2017-12-16  
**R&D DEPT.**

**ALTW**  
 DCC. DEPT.  
 CONFIDENTIAL  
 2018.01.11  
**ISSUED**



Top of Reel →



Note:  
 100 PCS(Connector)/Tape&Reel Put in a Box  
 5PCS(Max.) Box Put in a Carton

UNIT: mm	
TOLERANCE	
.X	±0.25
.XX	±0.1
.XXX	±0.05
ANGLES	±1°

TITLE MI2 M CONN M PIN SMT TYPE			
SCALE 1:1	SIZE A4	SHEET 4 OF 4	
REV. A	WC-REV. A.3	QC: Inspection item	

**Amphenol LTW**  
**安費諾亮泰企業股份有限公司**

ITEM NO.	DRAWN BY Arvin Chan	DATE 2017-12-16
DWG NO. MSXS-XXPMMT-EE8XXX	CHECKED BY Aric Ko	DATE 2017-12-16
CUSTOMER ALTW	APPROVED BY Kevin Hu	DATE 2017-12-16