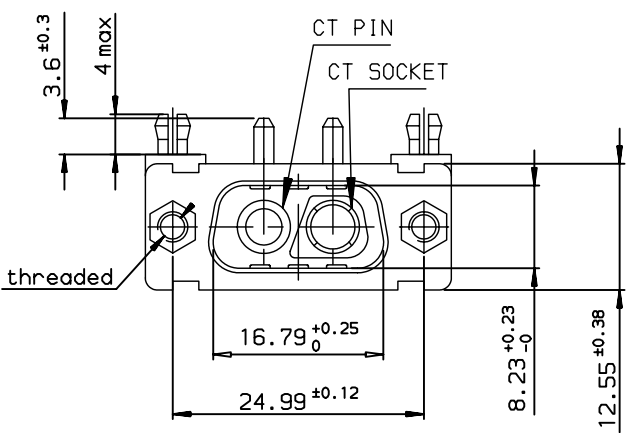
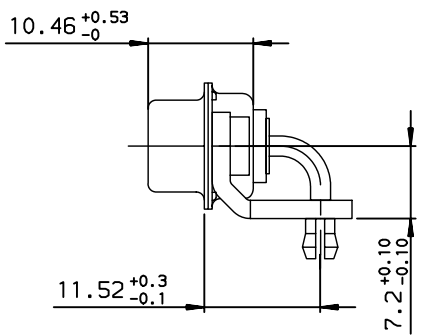
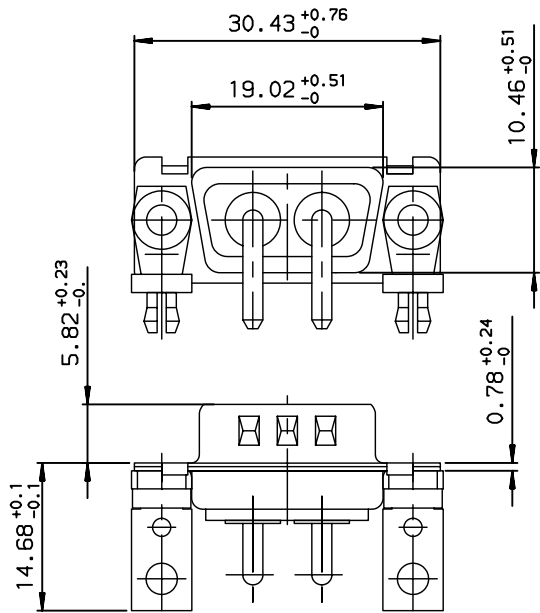


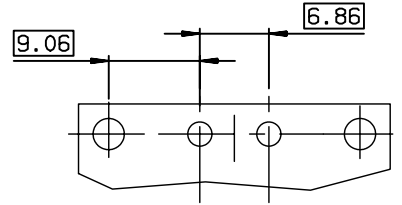
Copyright FCI, FCI



GENERAL CHARACTERISTICS : SEE DRAWING C01-8639-0001

DE02V2P500H30	UNC 4.40
DE02V2P500H40	C
DEL2V2P500H30	M3
DEL2V2P500H40	M3
PART NUMBER	Threaded A

LAYOUT DIMENSIONS (after plating)
CONNECTOR SIDE VIEW



rev	ecn no	dr	date
C	-	CJA	2003/11/07
D	LS07-0265	MPE	2007/10/23
-	-	-	-
-	-	-	-
-	-	-	-
-	-	-	-

www.fciconnect.com		surface ISO 1302 ✓	tolerance std ISO 406 ISO 1101	projection mm
TOLERANCES UNLESS OTHERWISE SPECIFIED				
Dr	JARRY	2003/11/07	ANGULAR	LINEAR
Eng	JARRY	2003/11/07	0.X	±0.1
Chr	LEGARE	2003/11/07	0.XX	±0.1
Appr	LEGARE	2003/11/07	0.XXX	±0.1
Product family			SUB	Spec ref -
			PIN CONNECTOR WITH TWO POWERS CONTACTS	
catalog no			dwg no	Rev.
-			C01-8639-1522	D
CUSTOMER			sheet 1 of 1	

European Views

REV F - 2006-04-17