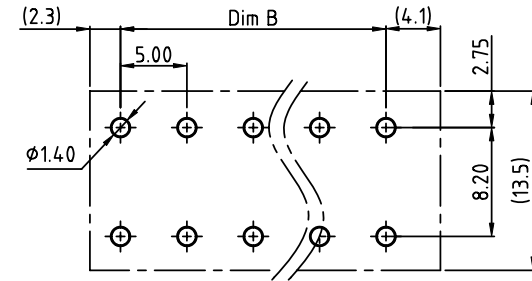
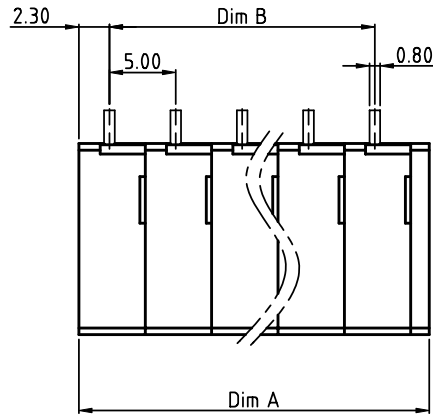
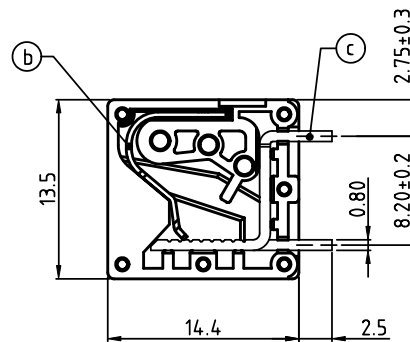
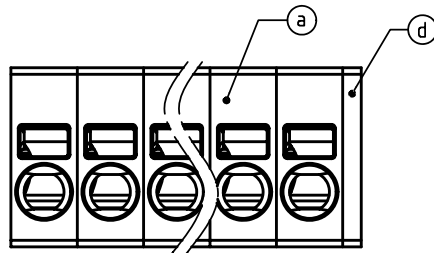


| | |
|----------------|--------|
| PRODUCT NUMBER | PITCH |
| NJxx00x000J0G | 5.00mm |



RECOMMENDED P.C.B LAYOUT
TOP VIEW



Material:

- Item a Terminal housing: Thermoplastic (UL 94V-0)
- Item b Spring clamp: Stainless steel
- Item c Solder pin: Brass, Tin plated
- Item d Terminal cover: Thermoplastic (UL 94V-0)

Electrical:

- Voltage rating: 300 V
- Current rating (Sol): 13A
- Current rating (Str): 16A
- Wire range:
- Solid wire (AWG): 14-24
- Stranded wire (AWG): 12-24
- Wire strip length: 9-10mm
- Withstanding Voltage: 1.6KV
- Operating temperature: -40°C to +115°C
- Soldering temperature: 260°C±5°C/5 Sec
- Safety Approval: cULus

N=Number of poles
Dim A=Nx5.00+1.40
Dim B=(N-1)x5.00

| POLES | Dim A | Dim B |
|--------|-------|-------|
| 1p | ±0.10 | — |
| 2-6p | ±0.10 | ±0.10 |
| 7-12p | ±0.20 | ±0.20 |
| 13-18p | ±0.30 | ±0.30 |
| 19-24p | ±0.40 | ±0.40 |

PART NO.: NJ xx 00 x 000J0 G

| No. of poles | Color | RoHS compliant |
|---------------|------------------------------|------------------------------|
| 0 | Black (RAL9005) | (lead<4%) In copper Alloy |
| End Stackable | 2 Red (RAL3001/D) | |
| 01 | 1 poles 3 Orange (RAL2011/P) | |
| 02 | 2 poles 4 Yellow (RAL1018/A) | |
| ... | 5 Green (RAL6018/T) | |
| 24 | 24 poles 6 Blue (RAL5015/A) | |
| | 8 Grey (RAL7004/P) | |
| | 9 White (RAL1102) | |
| | C Multiple colors | |

| | | | | | | |
|---------------------------------------|----------|-----------------------|-------------------------|--------------------------|---|--------------|
| mat'l. code | | surface ASME Y14.5 | tolerance ASME Y14.5 | projection | product family TERMINAL BLOCK | |
| ltr | ecn no | dr | date | MM | title TERMINAL BLOCK SPRING CLAMP, 90D WIRE INLET | |
| tolerances unless otherwise specified | | | | | | scale |
| angles | | X.±0.5 | | | dwg no NJxx00x000J0G | |
| X*±1° | | X.X±0.3 | | | | sheet 1 of 1 |
| dr | | X.XX±0.1 | | | | size A4 |
| enr | | EVIN ZHONG 060514 | | type CUSTOMER Drawing | | |
| chr | | EVIN ZHONG 060514 | | | | |
| appd | | SHI JUN 060514 | | | | |
| sheet index | revision | A | | | | |
| | sheet | 1 | | | | |