

C-8X

Description:

Smoothing chokes are power supply filter chokes having a core with an air gap which prevents saturation at maximum current. Hipot to 1500 VRMS between winding and core for safety.

Electrical Specifications (@25C):

| Current DC M/A | Inductance †† Henries | Resistance Ohms |
|-------------------|--------------------------|--------------------|
| 75.0 | 7.0 | 240.0 |

†† = Inductance tolerance -20%, + 50 %

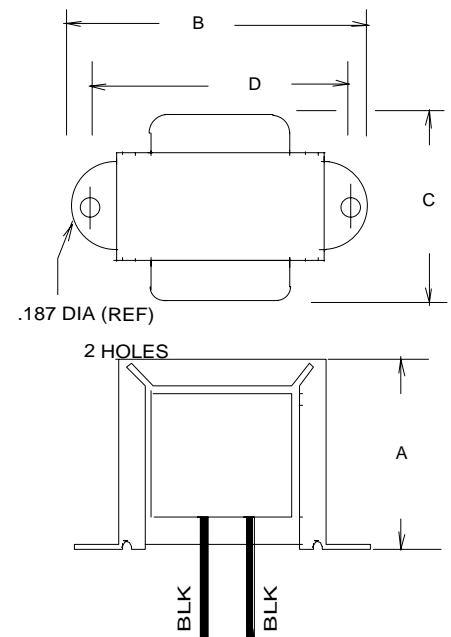
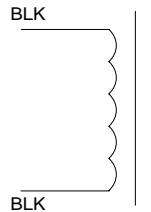
Dimensions:

Unit: In inches

| A | B | C | D |
|-------|-------|-------|-------|
| 1.937 | 3.312 | 1.750 | 2.812 |

Weight: 1.0 lbs.

Schematic:



RoHS Compliance: As of manufacturing date February 2005, all standard products meet the requirements of 2011/65/EU, known as the RoHS initiative.

* Upon printing, this document is considered "uncontrolled". Please contact Triad Magnetics' website for the most current version