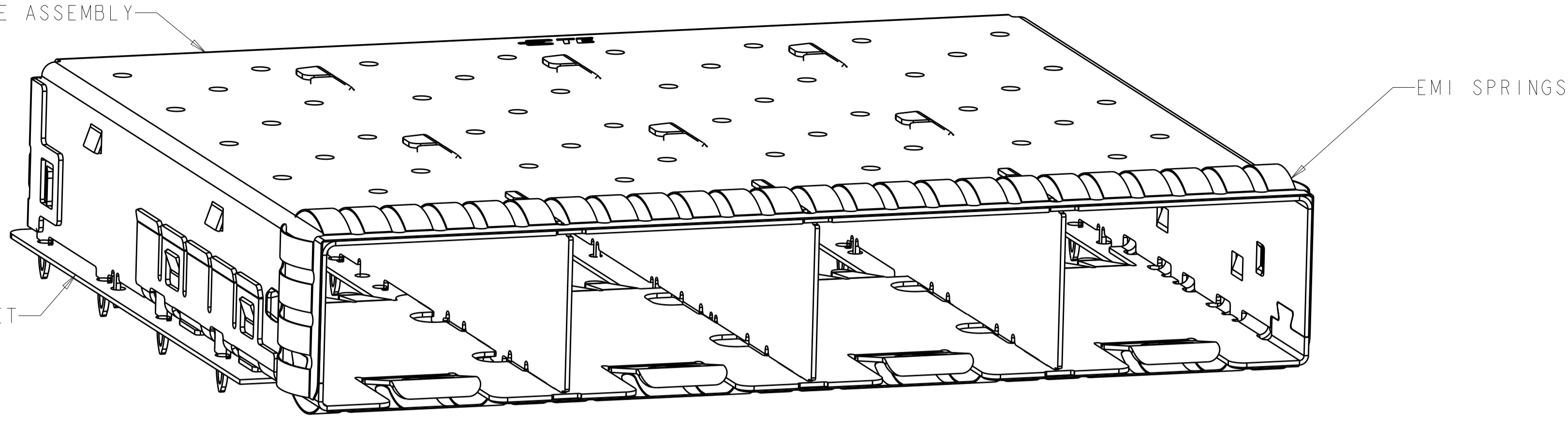


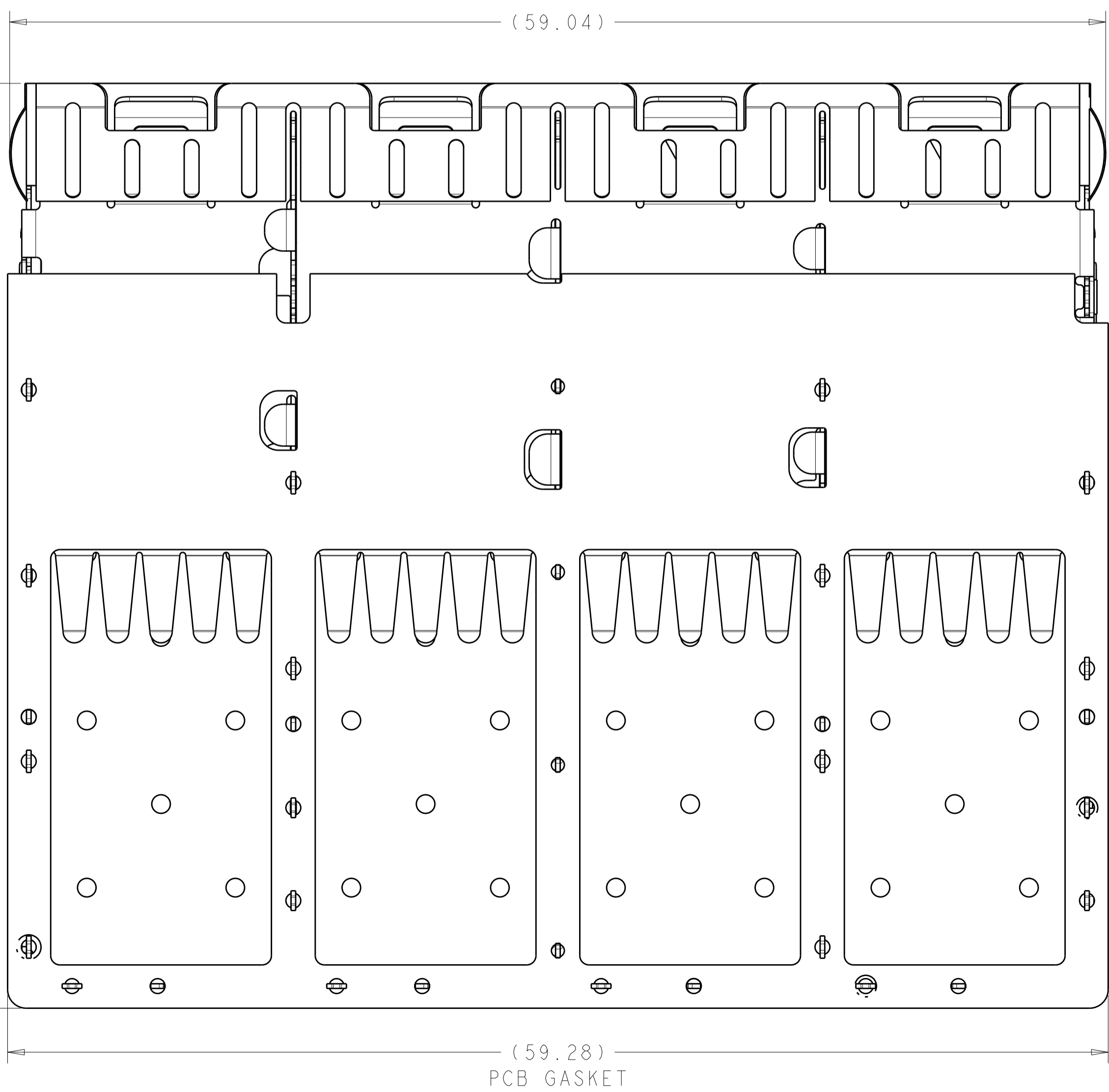
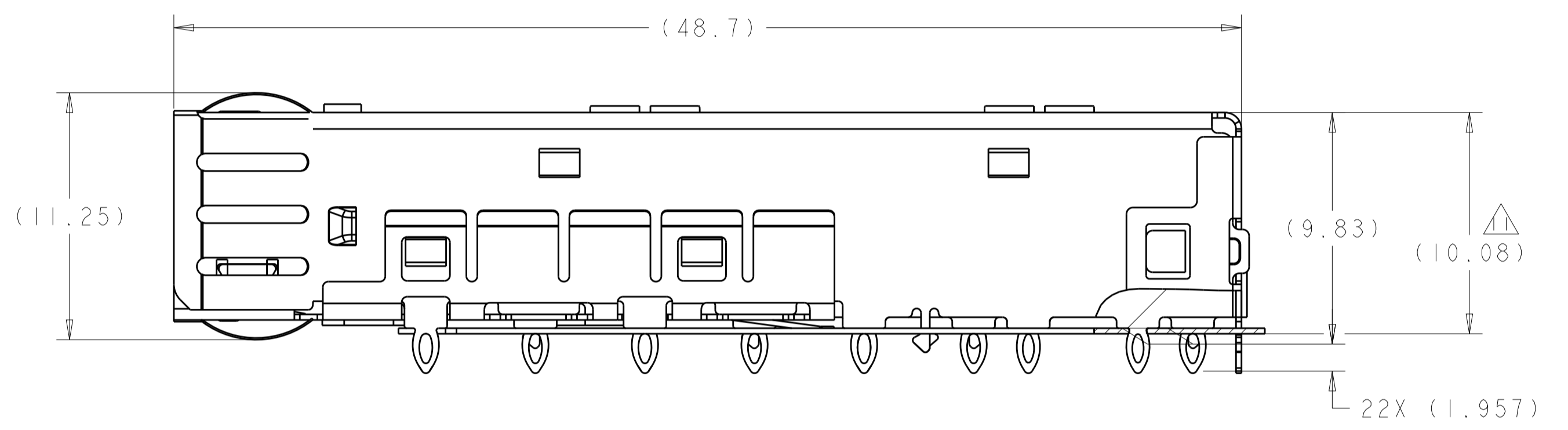
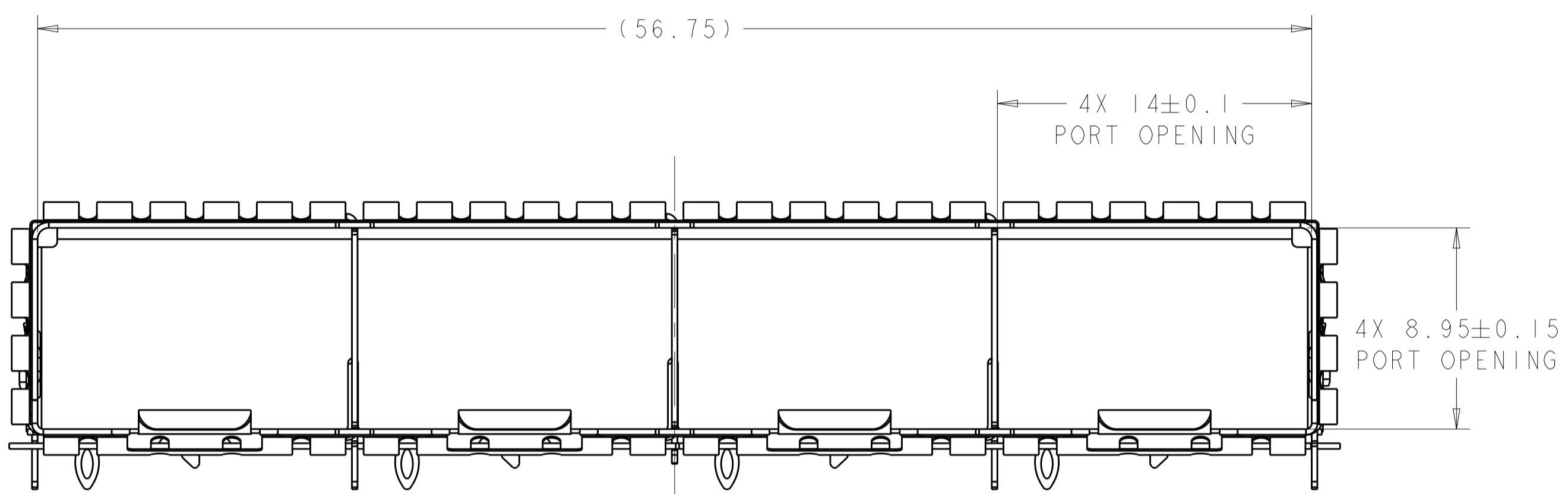
1X4 CAGE ASSEMBLY



PCB GASKET

1. MATERIAL:  
 CAGE ASSEMBLY: NICKEL SILVER ALLOY  
 EMI SPRINGS: COPPER ALLOY  
 PCB GASKET: RF ABSORBER
2. MINIMUM PC BOARD THICKNESS:  
 SINGLE SIDED = 1.45mm  
 BELLY TO BELLY = 2.25mm
3. PADS AND VIAS CHASSIS GROUND
4. DATUM AND BASIC DIMENSION ESTABLISHED BY CUSTOMER
5. MATES WITH SFP MSA COMPLIANT TRANSCEIVERS
6. INTERPRETATION OF DATUM REFERENCE FRAME IN ACCORDANCE WITH SECT 4.4.1.1 OF ASME Y14.5M-1994
7. REFERENCE APPLICATION SPEC. 114-13120, HOLE A, FOR RECOMMENDED DRILL HOLE DIAMETER AND PLATING THICKNESS
8. REFERENCE APPLICATION SPEC. 114-13120, HOLE B, FOR RECOMMENDED DRILL HOLE DIAMETER AND PLATING THICKNESS
9. HOLE PATTERN REPEATS FOR EACH PORT, SPACING BETWEEN PORTS IS 14.25mm
10. PRODUCT COMPLIES WITH SPECIFICATION SFF-8433, IMPROVED PLUGGABLE FORM FACTOR FOR SFP+ GANGED CAGES
11. CONTACT STANDOFF WILL PIERCE GASKET WHEN PROPERLY PRESSED INTO PCB.

LOC	DIST	REVISIONS				
GP	00	REV	DESCRIPTION	DATE	BY	CHKD
		A	REVISED PER ECO-15-002647	05MAR2015	AP	MS
		B	REVISED PER ECO-16-014593	13FEB2017	JW	SH



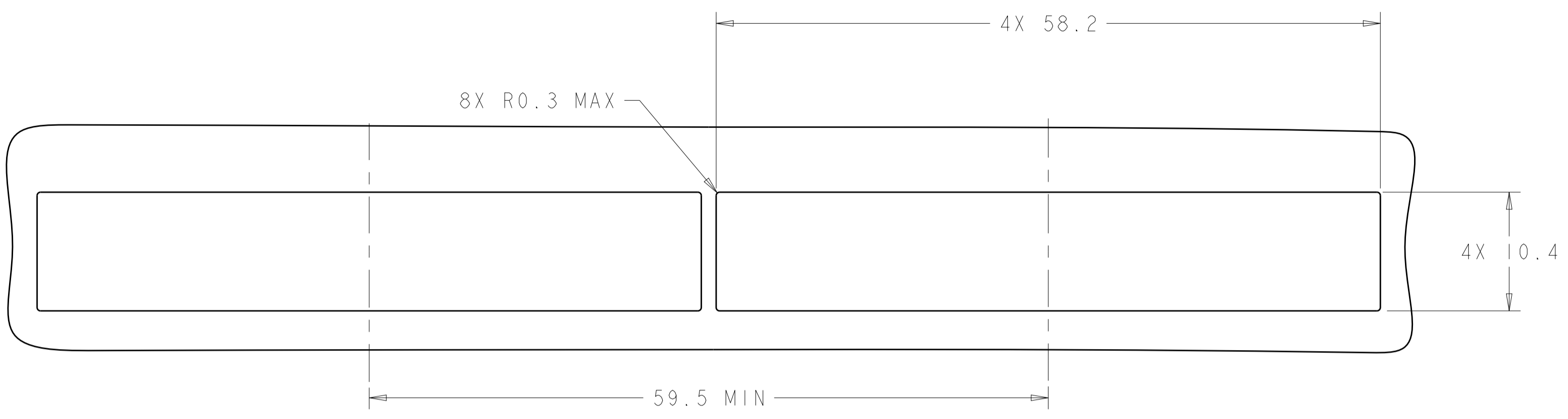
2227730-1  
 PART NUMBER

THIS DRAWING IS A CONTROLLED DOCUMENT.		OWN: M.E. CONNER 18FEB2013	TE Connectivity
DIMENSIONS: mm		CHK: M.D. MORRISON 18FEB2013	
TOLERANCES UNLESS OTHERWISE SPECIFIED:		APVD: M.J. PHILLIPS 18FEB2013	NAME: CAGE ASSEMBLY WITH EMI SPRINGS, PRESS-FIT, 1X4, 2SFP+
0 PLC ±0.25 1 PLC ±0.25 2 PLC ±0.25 3 PLC ±0.25 4 PLC ±0.25 ANGLES ±°		PRODUCT SPEC: 108-2364	
MATERIAL: SEE NOTES		APPLICATION SPEC: 114-13120	RESTRICTED TO:
FINISH: SEE NOTES		WEIGHT: -	SIZE: A1
		Customer Drawing	SCALE: 5:1 SHEET 1 OF 4 REV B

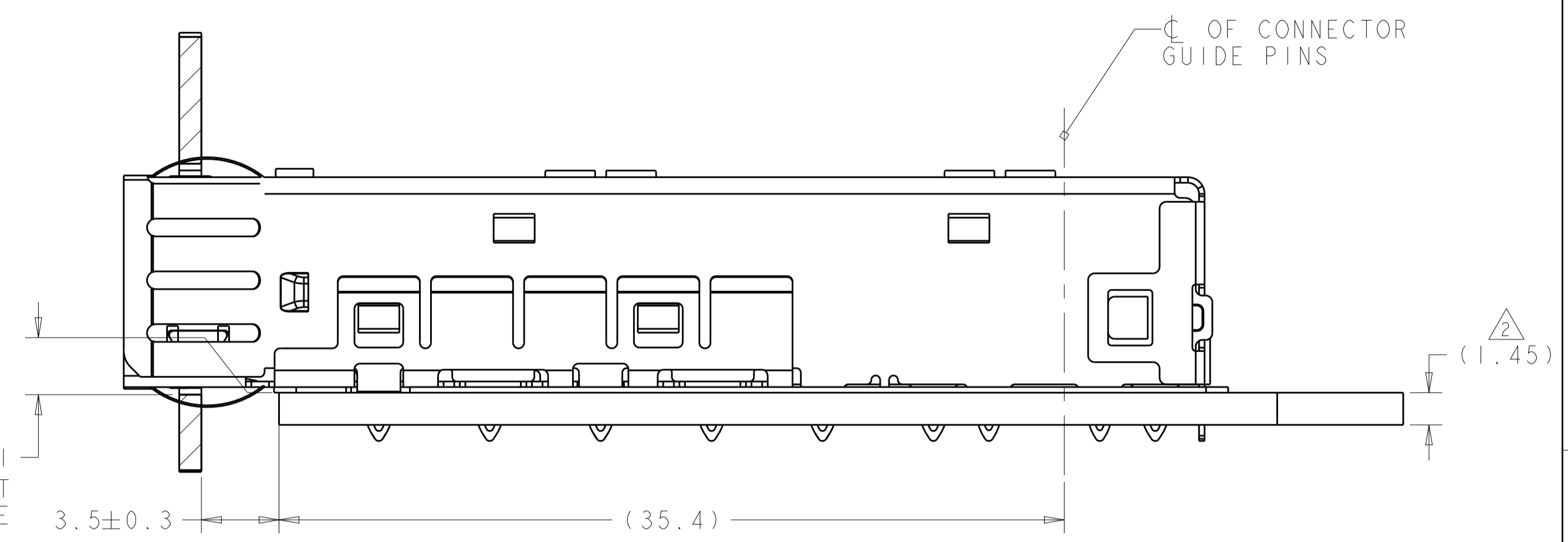
LOC	DIST	REV	DATE	BY	APPV
GP	00				

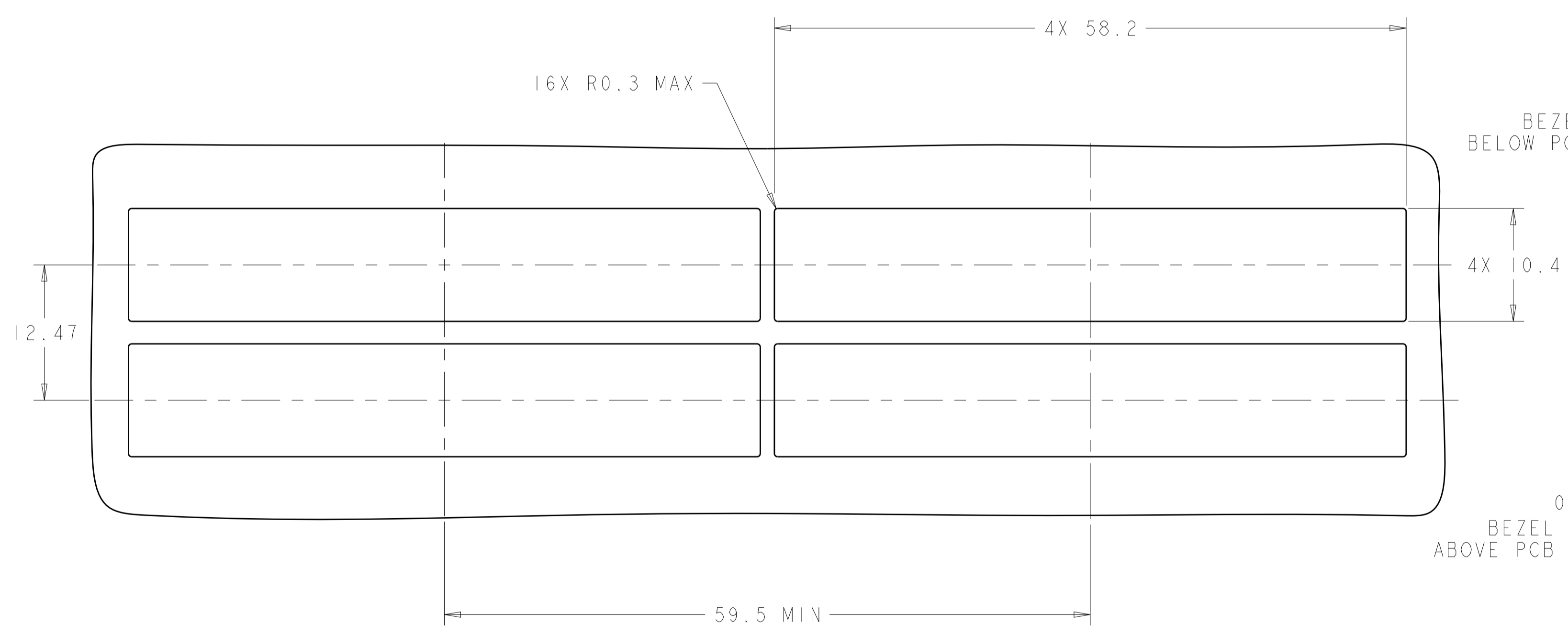
REVISIONS			DATE	BY	APPV
		SEE SHEET 1			



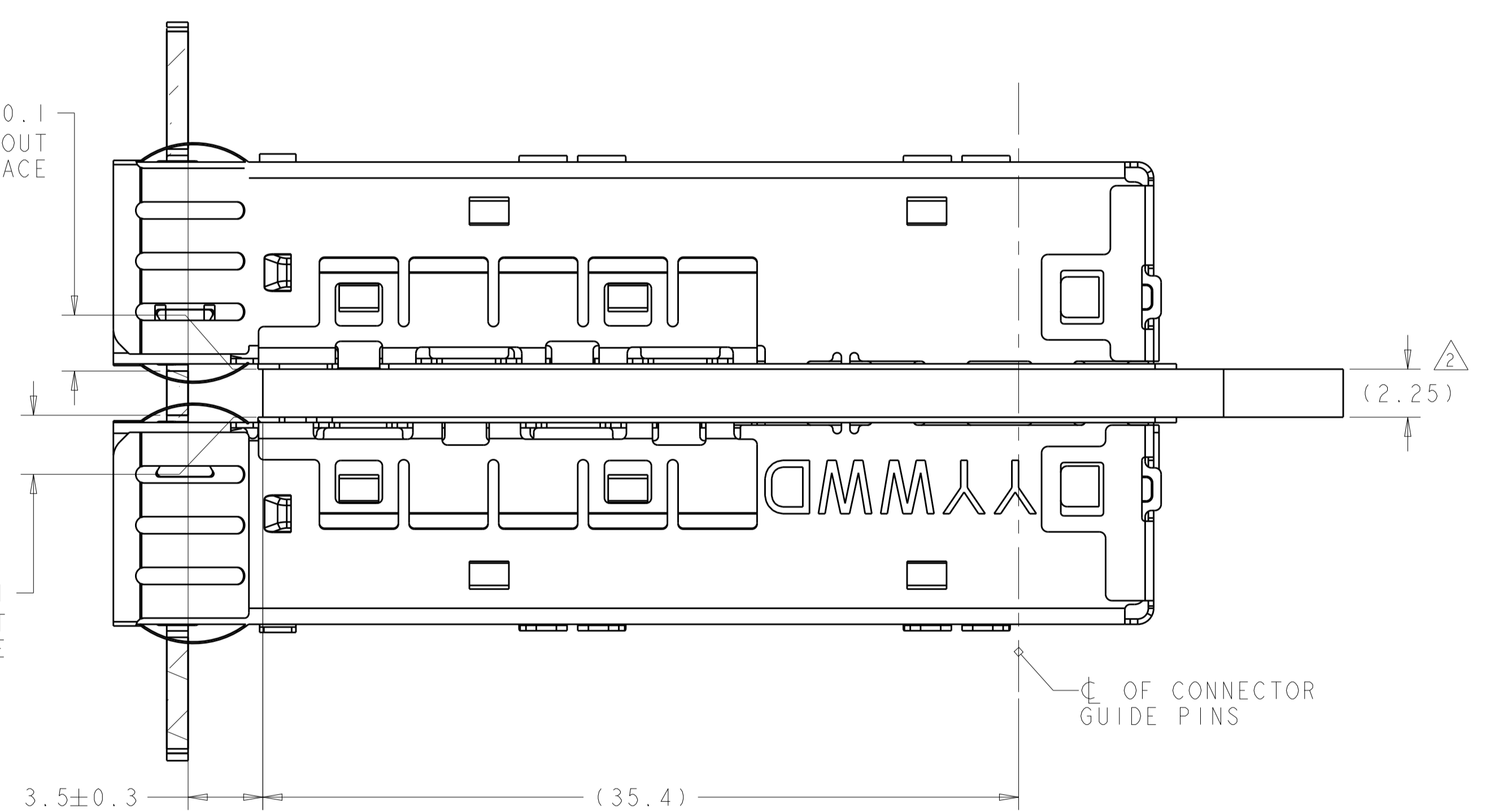
RECOMMENDED BEZEL CUT-OUT  
 SINGLE SIDED APPLICATIONS  
 SCALE 3:1



MOUNTED ON PC BOARD  
 SHOWN THRU RECOMMENDED BEZEL  
 SCALE 5:1



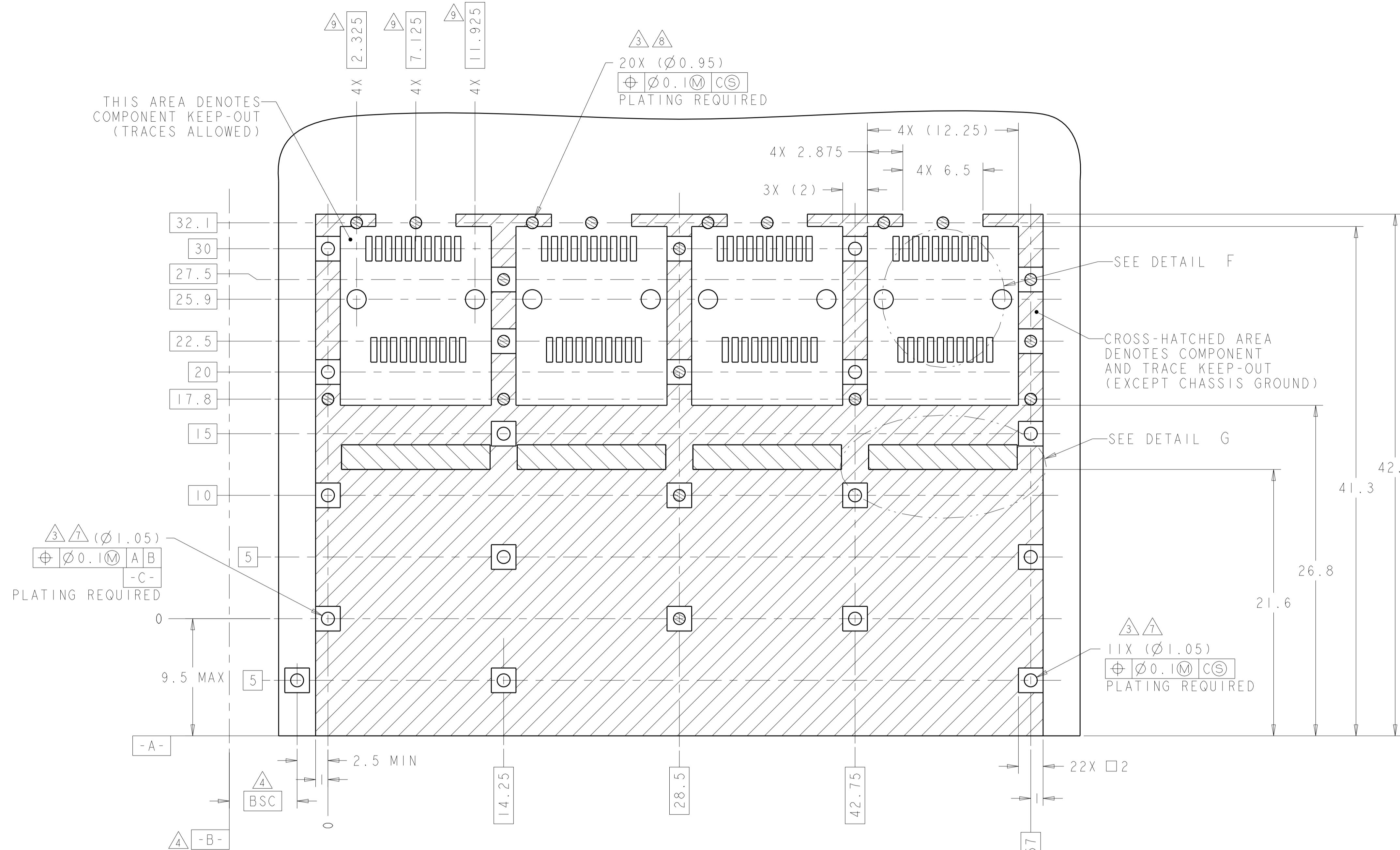
RECOMMENDED BEZEL CUT-OUT  
 BELLY TO BELLY APPLICATIONS  
 SCALE 3:1



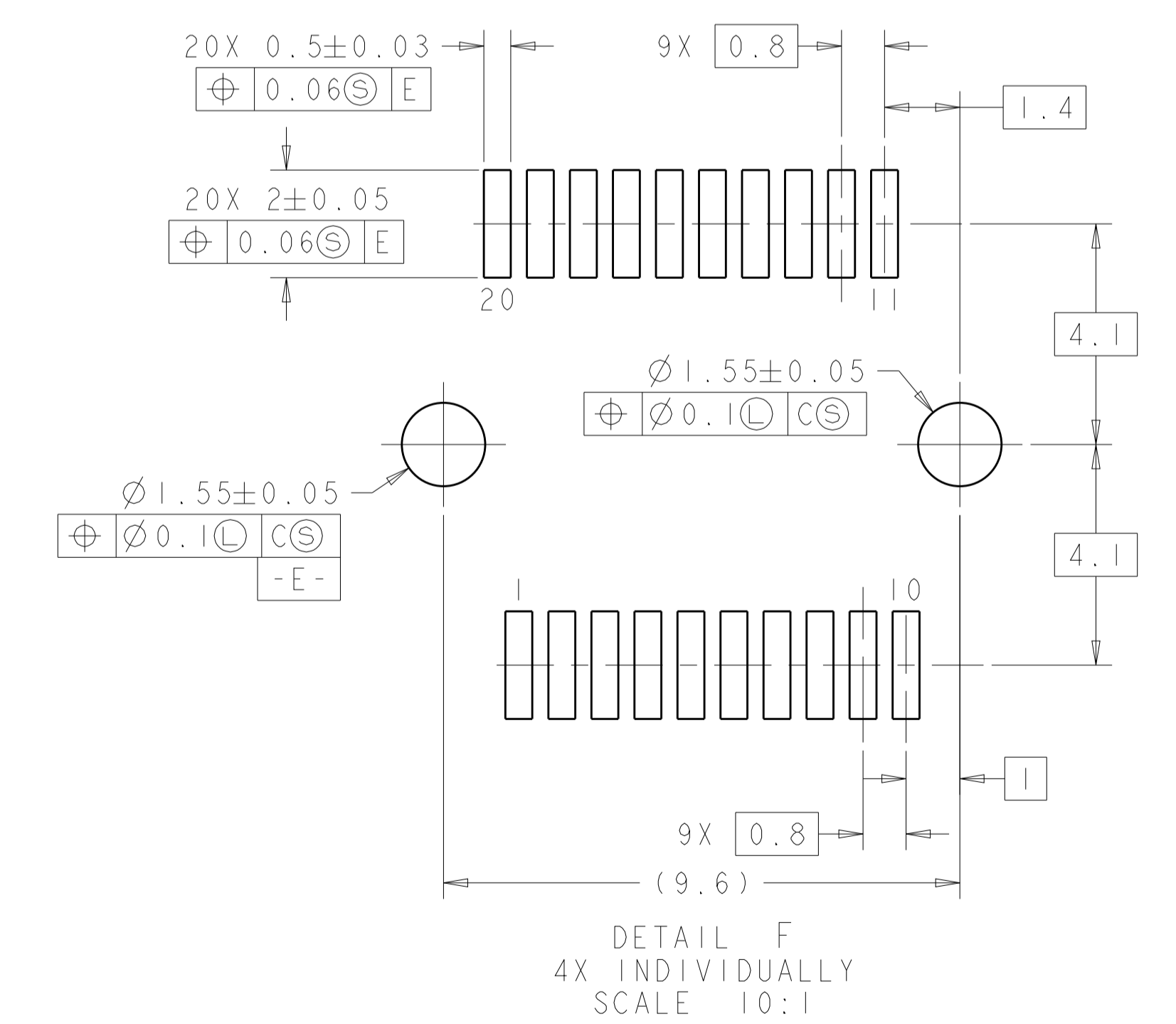
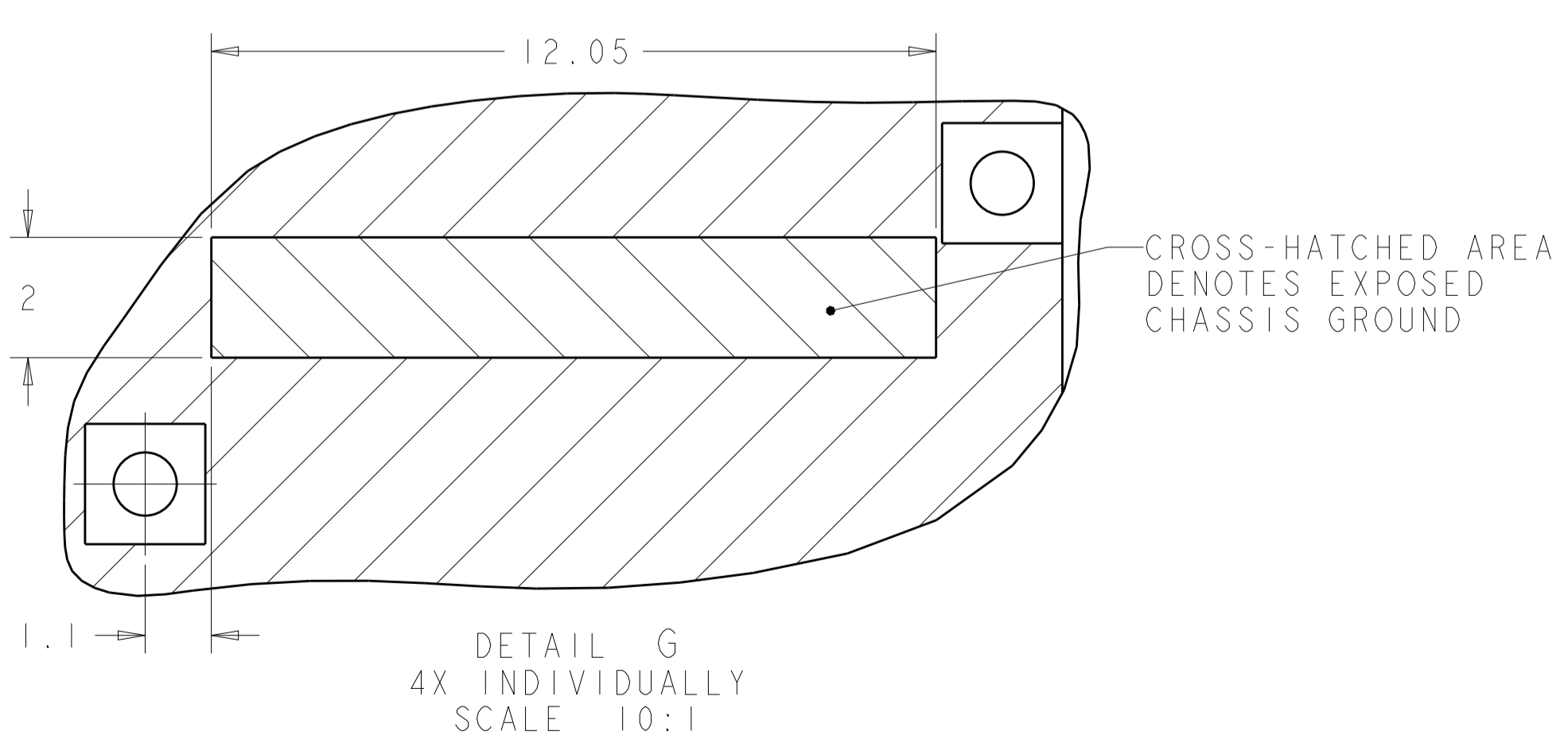
MOUNTED BELLY TO BELLY ON PC BOARD  
 SHOWN THRU RECOMMENDED BEZEL  
 SCALE 5:1

THIS DRAWING IS A CONTROLLED DOCUMENT.		OWN: M.E. CONNER 18FEB2013	TE Connectivity
DIMENSIONS: mm		CHK: M.D. MORRISON 18FEB2013	
TOLERANCES UNLESS OTHERWISE SPECIFIED:		APV: M.J. PHILLIPS 18FEB2013	NAME: CAGE ASSEMBLY WITH EMI SPRINGS, PRESS-FIT, 1X4, zSFP+
0 PLC ±0.1 1 PLC ±0.1 2 PLC ±0.08 3 PLC ±0.05 4 PLC ±0.05 ANGLES ±1°		PRODUCT SPEC: 108-2364	
MATERIAL: SEE NOTES		FINISH: SEE NOTES	APPLICATION SPEC: 114-13120
WEIGHT: -		SIZE: A1	CAGE CODE: 00779
Customer Drawing		SCALE: 5:1	SHEET: 2 OF 4
			REV: B

LOC	DIST	REVISIONS					
GP	00	P.	LTN	DESCRIPTION	DATE	DWN	APVD
		-		SEE SHEET 1			

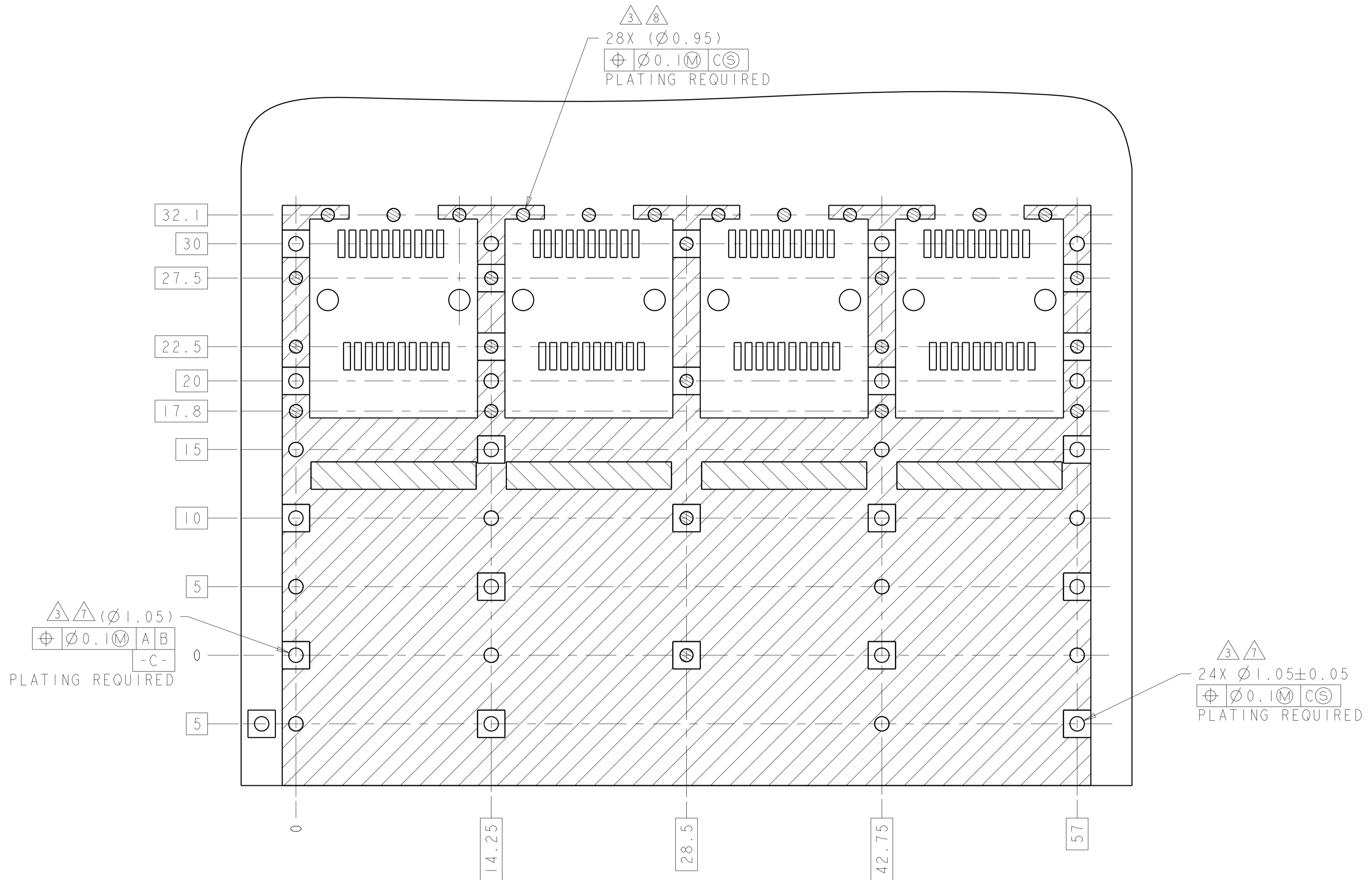


RECOMMENDED PCB CONFIGURATION WITH KEEP-OUTS FOR SINGLE SIDE APPLICATIONS  
 SCALE 5:1



THIS DRAWING IS A CONTROLLED DOCUMENT.		DWN: M.E. CONNER 18FEB2013	TE Connectivity
DIMENSIONS: mm		CHK: M.D. MORRISON 18FEB2013	
TOLERANCES UNLESS OTHERWISE SPECIFIED:		APVD: M.J. PHILLIPS 18FEB2013	NAME: CAGE ASSEMBLY WITH EMI SPRINGS, PRESS-FIT, 1X4, zSFP+
0 PLC ±0.1		PRODUCT SPEC: 108-2364	
1 PLC ±0.1		APPLICATION SPEC: 114-13120	
2 PLC ±0.08		SIZE: A100779C=2227730	
3 PLC ±0.05		WEIGHT: -	RESTRICTED TO: -
4 PLC ±0.05		FINISH: -	SCALE: 6:1
ANGLES ±0.05		SEE NOTES	SHEET 3 OF 4
MATERIAL: SEE NOTES		Customer Drawing	REV B

LOC	DIST	REVISIONS			
P	LTN	DESCRIPTION	DATE	DWN	APVD
-	-	SEE SHEET 1	-	-	-



RECOMMENDED PCB CONFIGURATION WITH KEEP-OUTS FORBELLY TO BELLY APPLICATIONS  
 SAME AS SINGLE SIDE APPLICATION, EXCEPT AS SHOWN  
 SCALE 5:1

THIS DRAWING IS A CONTROLLED DOCUMENT.		DWN M.E. CONNER 18FEB2013	
DIMENSIONS: mm		CHK M.D. MORRISON 18FEB2013	
TOLERANCES UNLESS OTHERWISE SPECIFIED:		APVD M.J. PHILLIPS 18FEB2013	NAME
0 PLC ±0.1		PRODUCT SPEC	CAGE ASSEMBLY WITH EMI SPRINGS, PRESS-FIT, 1X4, zSFP+
2 PLC ±0.1		108-2364	
3 PLC ±0.08		APPLICATION SPEC	
4 PLC ±0.05		114-13120	
ANGLES ±0.05		WEIGHT	
MATERIAL SEE NOTES	FINISH SEE NOTES	SIZE CAGE CODE DRAWING NO	RESTRICTED TO
Customer Drawing		A100779C=2227730	-
SCALE 6:1		SHEET 4 OF 4	REV B