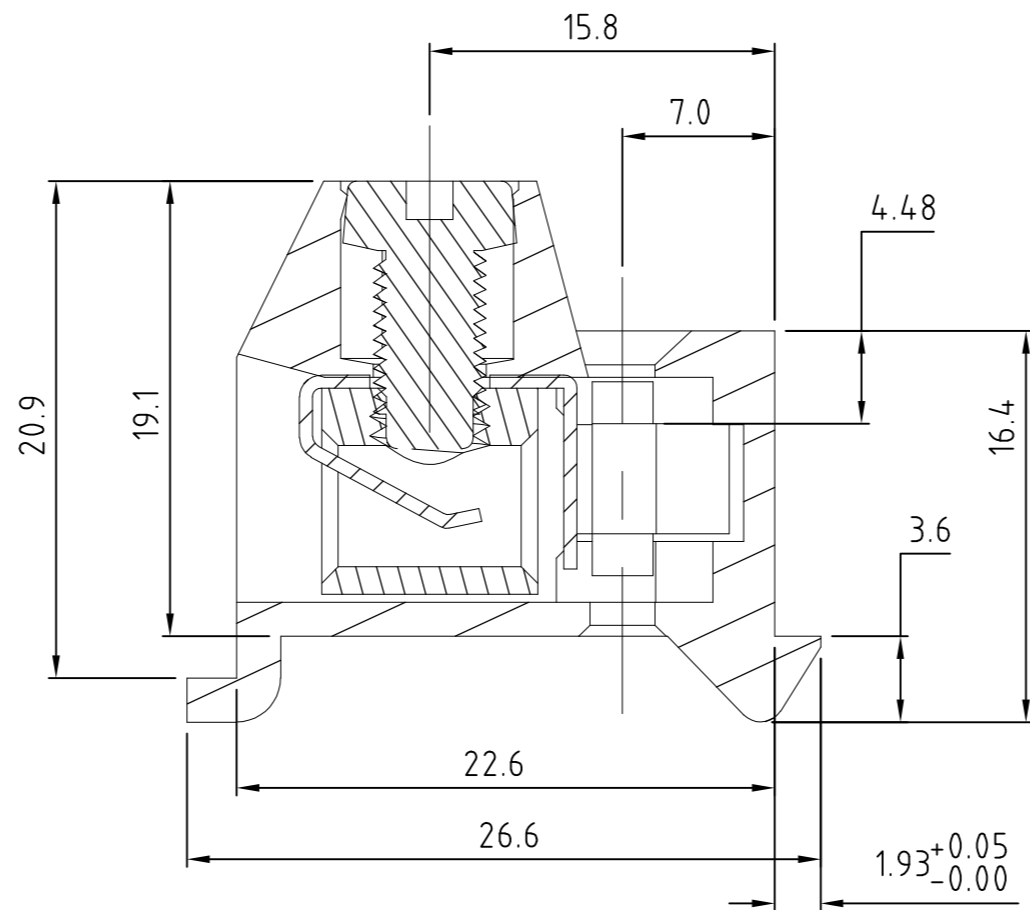
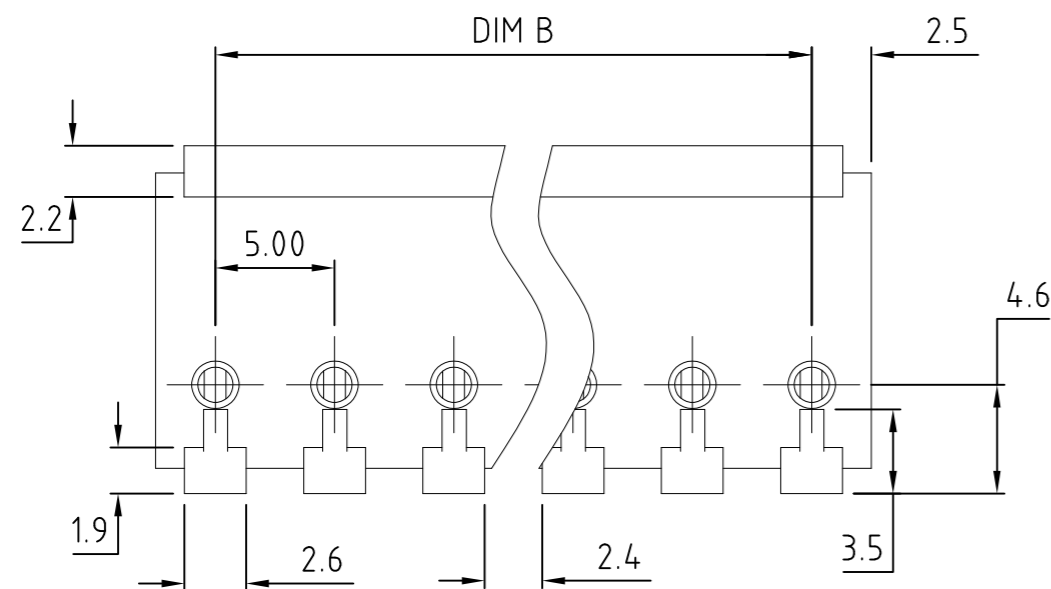
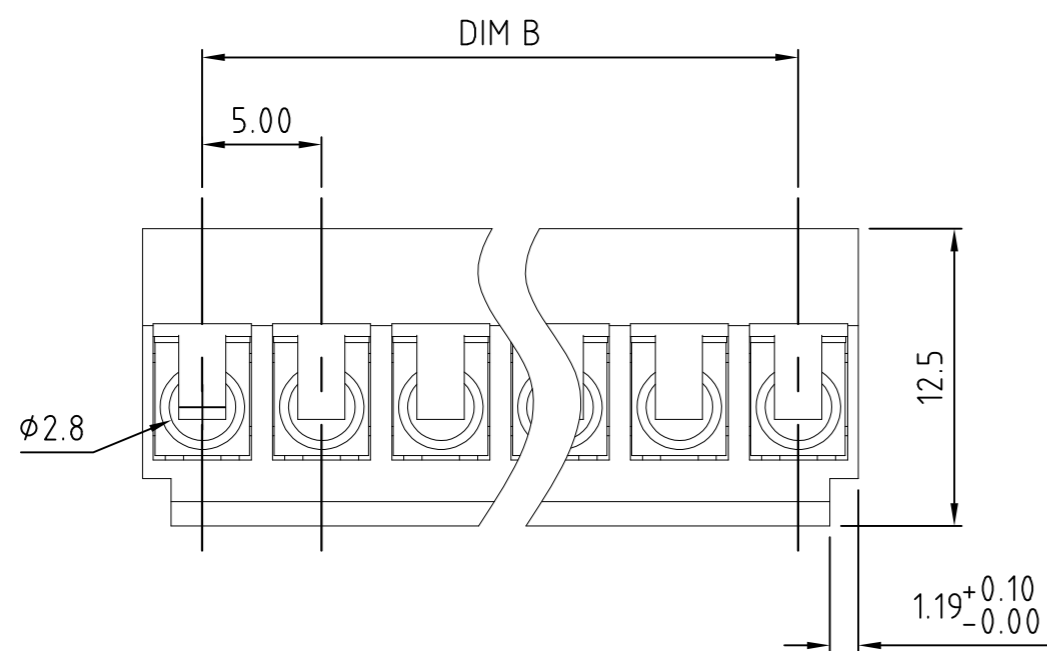
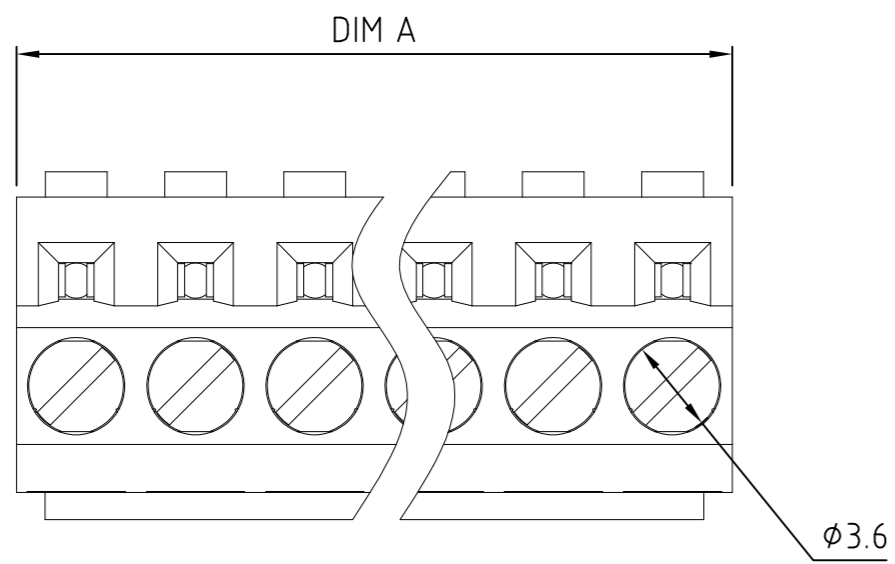


THIS DRAWING IS UNPUBLISHED. RELEASED FOR PUBLICATION  
 © COPYRIGHT - By - ALL RIGHTS RESERVED.

REVISIONS				
P	LTR	DESCRIPTION	DATE	APVD
A2		REVISED PER ECR-16-010574	26JUL2016	RS DD



SPECIFICATIONS:

MATERIALS

CONTACT BLOCK: BRASS, NICKEL PLATED  
 WIRE GUARD: PHOSPHORUS BRONZE, TIN PLATED  
 SCREW: STEEL, ZINC PLATED, M2.6  
 BODY: POLYAMIDE (UL94-V0)

ELECTRICAL

VOLTAGE RATING: 300 VAC  
 CURRENT RATING: 10 A  
 WITHSTANDING VOLTAGE: 1500 VAC FOR 1 MINUTE  
 WIRE RANGE: 14 - 26 AWG

MECHANICAL

TORQUE: 3.5 IN-LBS MAX  
 OPERATING TEMPERATURE: -40°C TO +115°C

1 ALL MATERIALS AND FINISHES SHALL COMPLY WITH EU DIRECTIVE 2002/95/EC OF 27JAN2003 (ROHS).

2 MATES WITH PIN STRIPS, 2213867.

55.0	60.0	12	1-2213866-2
45.0	50.0	10	1-2213866-0
40.0	45.0	9	2213866-9
35.0	40.0	8	2213866-8
30.0	35.0	7	2213866-7
25.0	30.0	6	2213866-6
20.0	25.0	5	2213866-5
15.0	20.0	4	2213866-4
10.0	15.0	3	2213866-3
5.0	10.0	2	2213866-2
DIM B	DIM A	POSITIONS	TE PART NUMBER

THIS DRAWING IS A CONTROLLED DOCUMENT.		DWN RAVI.S 03MAY2016	TE Connectivity	
DIMENSIONS: mm		CHK R. HILL 03MAY2016		
TOLERANCES UNLESS OTHERWISE SPECIFIED:		APVD R. HILL 03MAY2016	NAME 5.00MM SCREW TERMINAL BLOCK	
0 PLC ± -		PRODUCT SPEC	SIZE	
1 PLC ± 0.3		APPLICATION SPEC	CAGE CODE	
2 PLC ± 0.01		WEIGHT	DRAWING NO	
3 PLC ± -			RESTRICTED TO	
4 PLC ± -			A2 00779 C=2213866	
ANGLES ± -			SCALE 1:1 SHEET 1 OF 1 REV A2	
FINISH			CUSTOMER DRAWING	