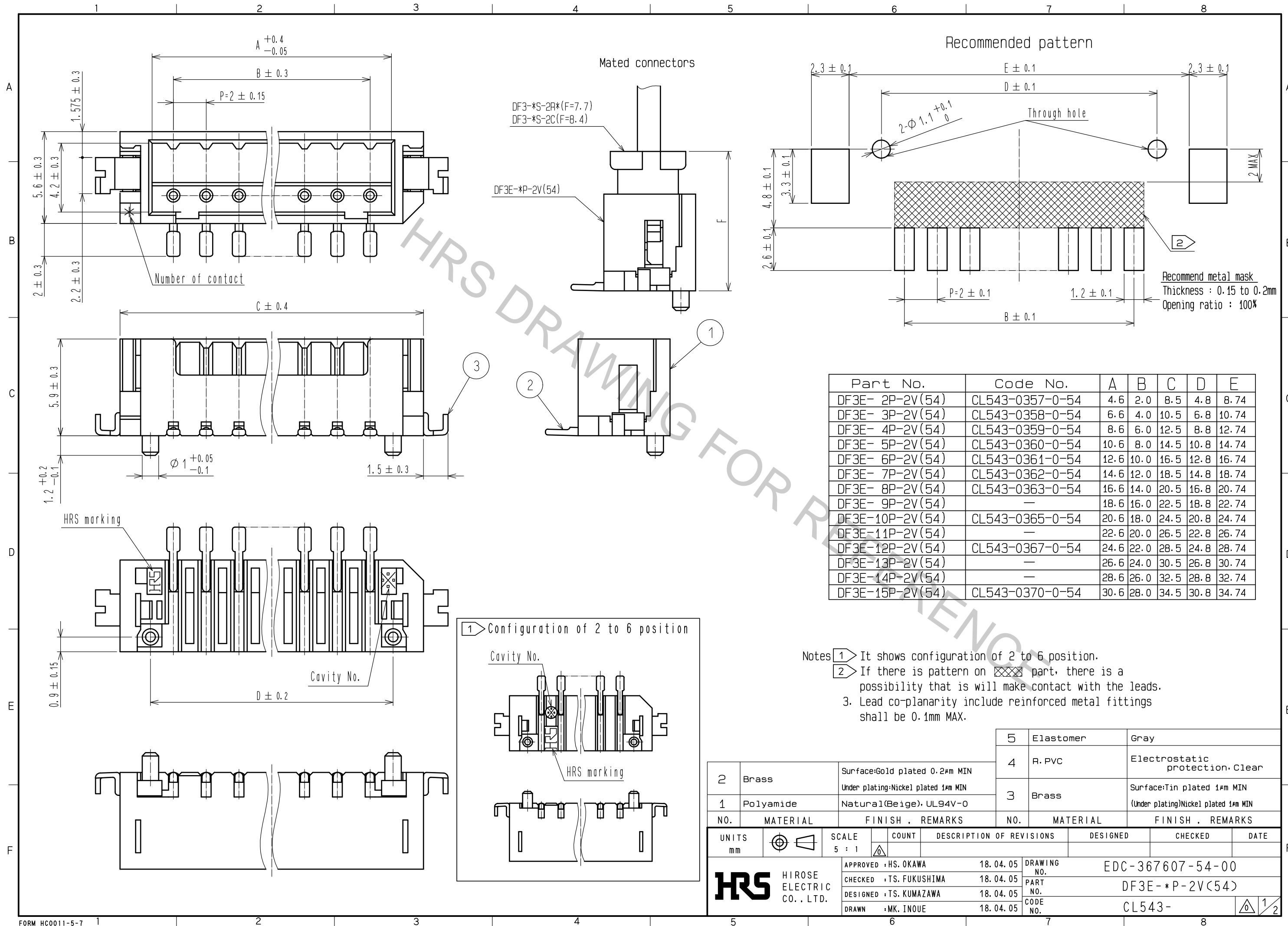


Aug.1.2018 Copyright 2018 HIROSE ELECTRIC CO., LTD. All Rights Reserved.
 In case that the application demands a high level of reliability, such as automotive,
 please contact a company representative for further information.



DF3-*S-2R*(F=7.7)
 DF3-*S-2C(F=8.4)

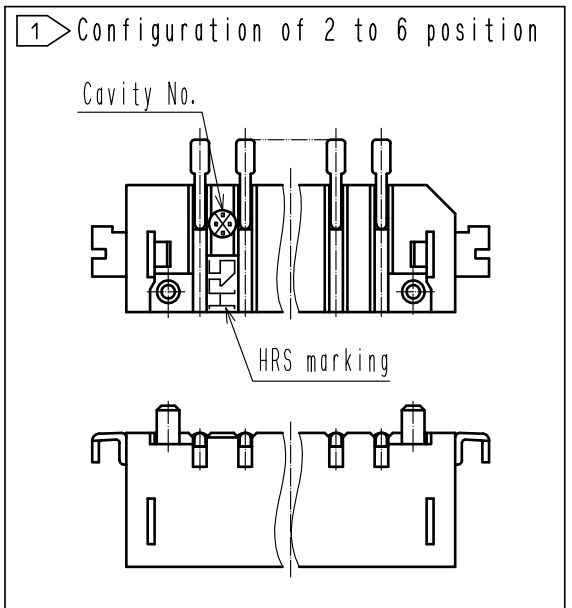
DF3E-*P-2V(54)

Recommended pattern

Recommend metal mask
 Thickness : 0.15 to 0.2mm
 Opening ratio : 100%

| Part No. | Code No. | A | B | C | D | E |
|-----------------|-----------------|------|------|------|------|-------|
| DF3E- 2P-2V(54) | CL543-0357-0-54 | 4.6 | 2.0 | 8.5 | 4.8 | 8.74 |
| DF3E- 3P-2V(54) | CL543-0358-0-54 | 6.6 | 4.0 | 10.5 | 6.8 | 10.74 |
| DF3E- 4P-2V(54) | CL543-0359-0-54 | 8.6 | 6.0 | 12.5 | 8.8 | 12.74 |
| DF3E- 5P-2V(54) | CL543-0360-0-54 | 10.6 | 8.0 | 14.5 | 10.8 | 14.74 |
| DF3E- 6P-2V(54) | CL543-0361-0-54 | 12.6 | 10.0 | 16.5 | 12.8 | 16.74 |
| DF3E- 7P-2V(54) | CL543-0362-0-54 | 14.6 | 12.0 | 18.5 | 14.8 | 18.74 |
| DF3E- 8P-2V(54) | CL543-0363-0-54 | 16.6 | 14.0 | 20.5 | 16.8 | 20.74 |
| DF3E- 9P-2V(54) | — | 18.6 | 16.0 | 22.5 | 18.8 | 22.74 |
| DF3E-10P-2V(54) | CL543-0365-0-54 | 20.6 | 18.0 | 24.5 | 20.8 | 24.74 |
| DF3E-11P-2V(54) | — | 22.6 | 20.0 | 26.5 | 22.8 | 26.74 |
| DF3E-12P-2V(54) | CL543-0367-0-54 | 24.6 | 22.0 | 28.5 | 24.8 | 28.74 |
| DF3E-13P-2V(54) | — | 26.6 | 24.0 | 30.5 | 26.8 | 30.74 |
| DF3E-14P-2V(54) | — | 28.6 | 26.0 | 32.5 | 28.8 | 32.74 |
| DF3E-15P-2V(54) | CL543-0370-0-54 | 30.6 | 28.0 | 34.5 | 30.8 | 34.74 |

- Notes
- ① It shows configuration of 2 to 6 position.
 - ② If there is pattern on part, there is a possibility that it will make contact with the leads.
 - 3. Lead co-planarity include reinforced metal fittings shall be 0.1mm MAX.

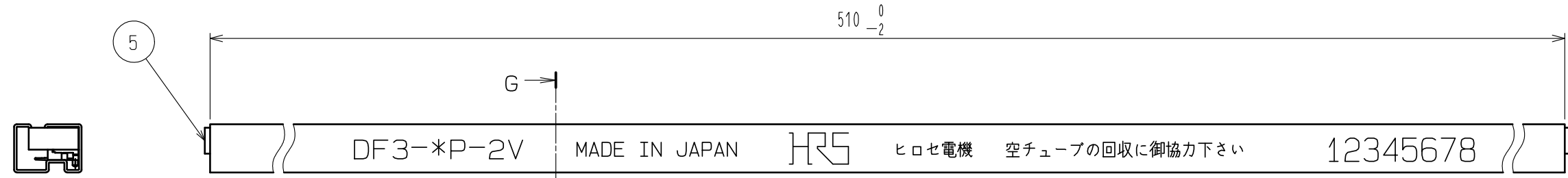


| NO. | MATERIAL | FINISH . | REMARKS | NO. | MATERIAL | FINISH . | REMARKS |
|-----|-----------|--|---------|-----|-----------|----------|--|
| 2 | Brass | Surface:Gold plated 0.2µm MIN Under plating:Nickel plated 1µm MIN | | 5 | Elastomer | | Gray |
| 1 | Polyamide | Natural(Beige), UL94V-0 | | 4 | R. PVC | | Electrostatic protection. Clear |
| | | | | 3 | Brass | | Surface:Tin plated 1µm MIN (Under plating)Nickel plated 1µm MIN |

| UNITS | SCALE | COUNT | DESCRIPTION OF REVISIONS | DESIGNED | CHECKED | DATE |
|-------|-------|-------|--------------------------|----------|---------|------|
| mm | 5 : 1 | △ | | | | |

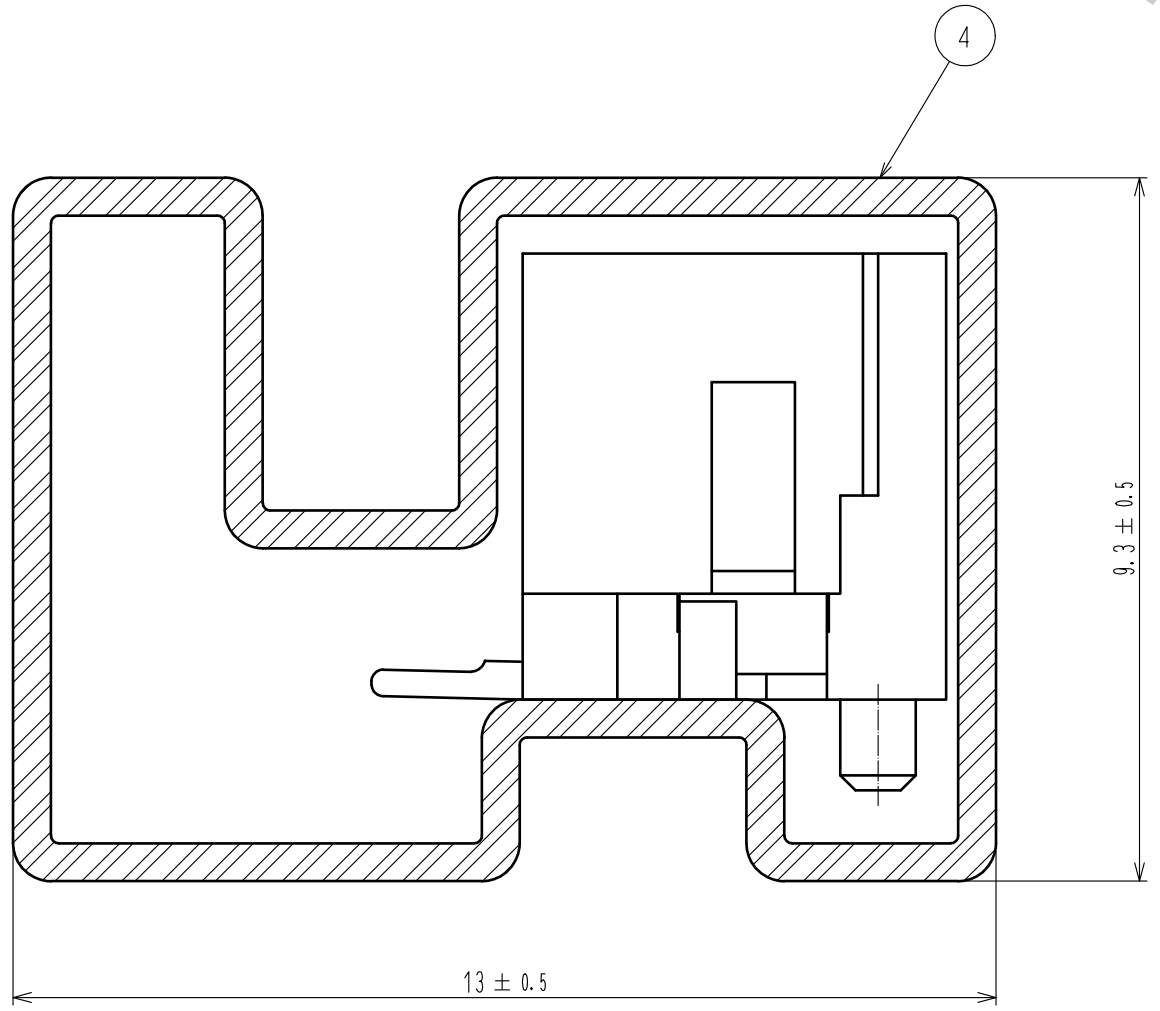
| | | | |
|-------------------------|------------|-------------|------------------|
| APPROVED : HS. OKAWA | 18. 04. 05 | DRAWING NO. | EDC-367607-54-00 |
| CHECKED : TS. FUKUSHIMA | 18. 04. 05 | PART NO. | DF3E-*P-2V(54) |
| DESIGNED : TS. KUMAZAWA | 18. 04. 05 | CODE NO. | CL543- |
| DRAWN : MK. INOUE | 18. 04. 05 | | |

Aug.1.2018 Copyright 2018 HIROSE ELECTRIC CO., LTD. All Rights Reserved.
 In case that the application demands a high level of reliability, such as automotive,
 please contact a company representative for further information.



Notes 4. Number of connectors per a magazine case shall be in accordance with the list.
 5. These connectors shall be on saled in accordance with the multiple quantity on the list.

G-G (10:1)



| Part No. | Code No. | Number of connectors |
|-----------------|-----------------|----------------------|
| DF3E- 2P-2V(54) | CL543-0357-0-54 | 41 |
| DF3E- 3P-2V(54) | CL543-0358-0-54 | 34 |
| DF3E- 4P-2V(54) | CL543-0359-0-54 | 30 |
| DF3E- 5P-2V(54) | CL543-0360-0-54 | 26 |
| DF3E- 6P-2V(54) | CL543-0361-0-54 | 23 |
| DF3E- 7P-2V(54) | CL543-0362-0-54 | 21 |
| DF3E- 8P-2V(54) | CL543-0363-0-54 | 19 |
| DF3E- 9P-2V(54) | - | 18 |
| DF3E-10P-2V(54) | CL543-0365-0-54 | 17 |
| DF3E-11P-2V(54) | - | 15 |
| DF3E-12P-2V(54) | CL543-0367-0-54 | 14 |
| DF3E-13P-2V(54) | - | 14 |
| DF3E-14P-2V(54) | - | 13 |
| DF3E-15P-2V(54) | CL543-0370-0-54 | 12 |

| | | | |
|------------|-------------|------------------|-----|
| HRS | DRAWING NO. | EDC-367607-54-00 | |
| | PART NO. | DF3E-*P-2V(54) | |
| | CODE NO. | CL543- | 2/2 |