

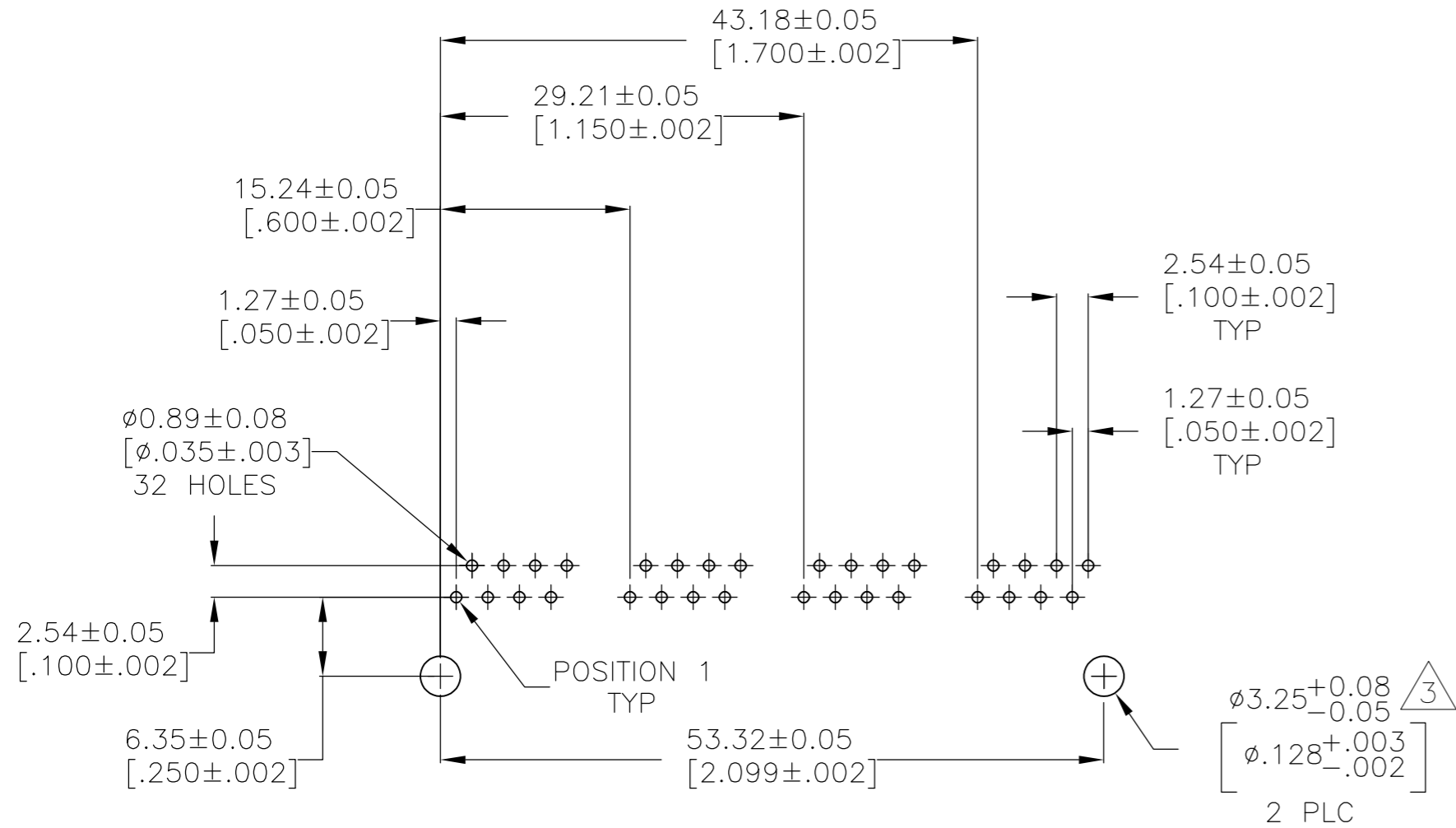
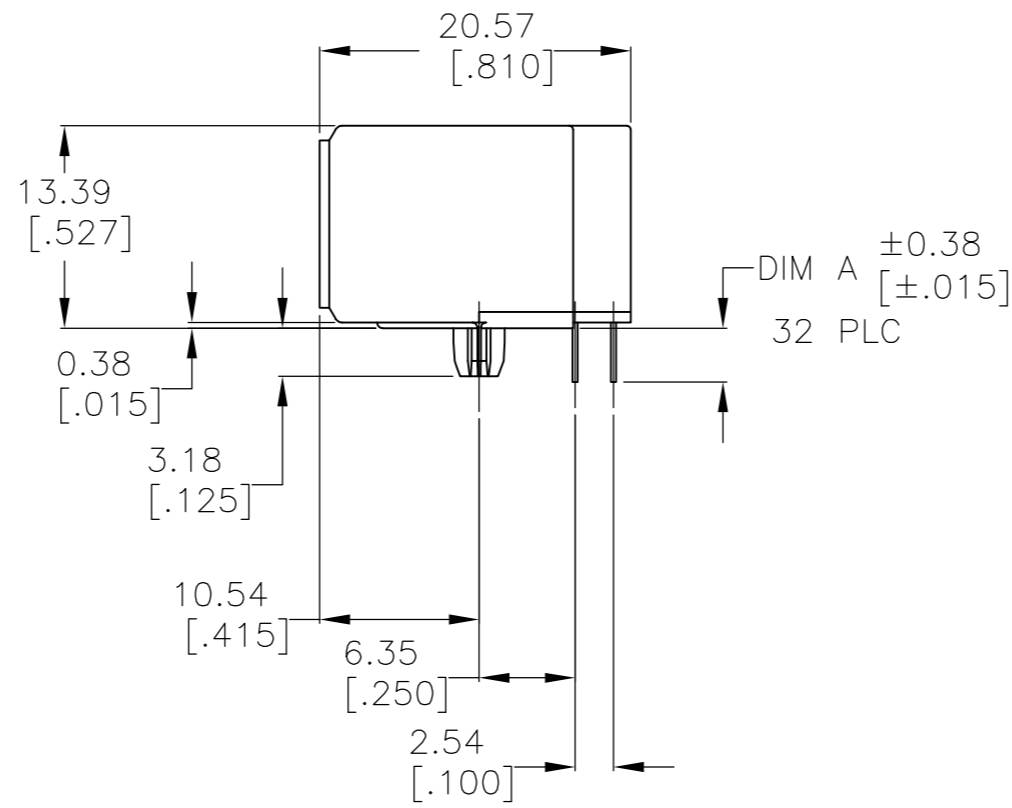
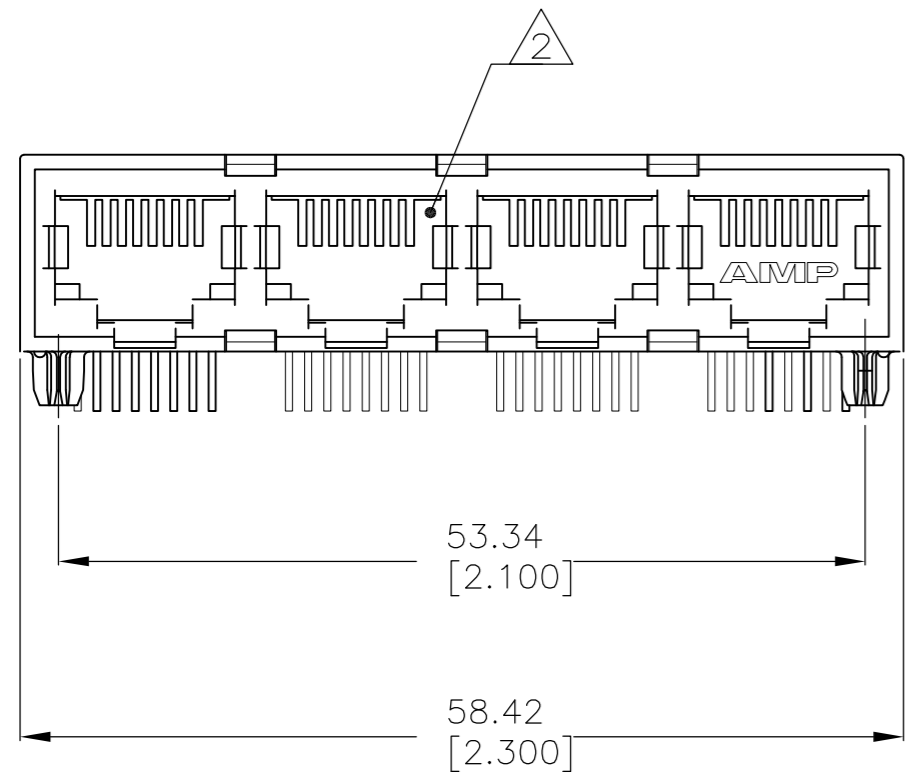
THIS DRAWING IS UNPUBLISHED. RELEASED FOR PUBLICATION  
 © COPYRIGHT BY TYCO ELECTRONICS CORPORATION. ALL RIGHTS RESERVED.

LOC		DIST		REVISIONS			
P	LTR	DESCRIPTION	DATE	DWN	APVD		
ES	00	A	ECO-08-006864	14MARCH08	DZ	SY	

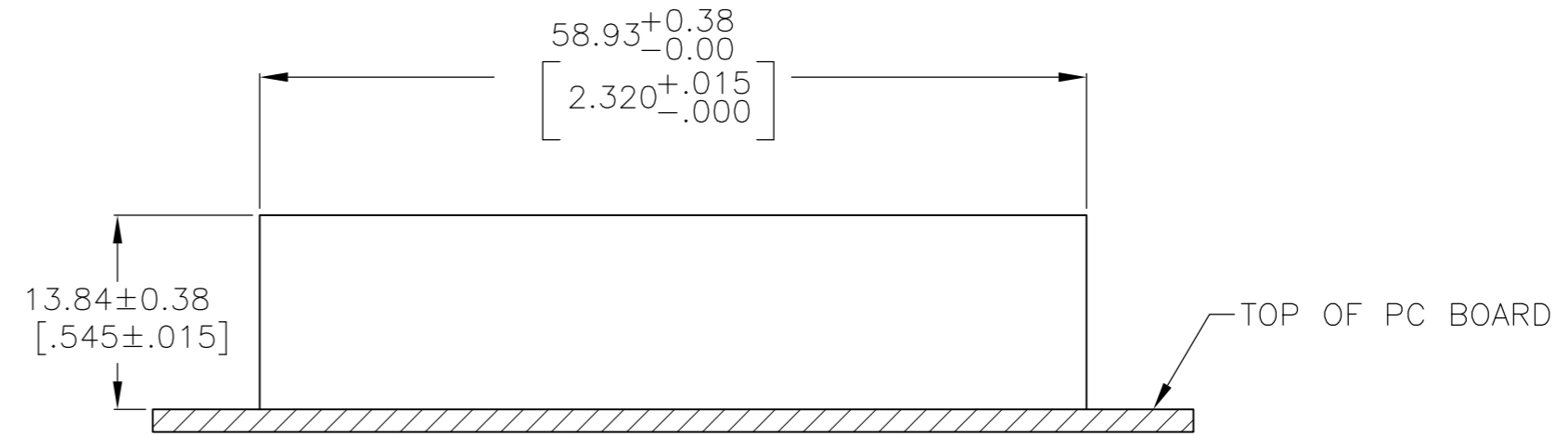
- MATERIAL: HOUSING – HIGH TEMPERATURE NYLON, COLOR: BLACK, UL 94V-0  
 OVERMOLDED TERMINAL ARRAY – PBT, BROWN  
 TERMINALS – 0.33[.013] THICK PHOS BRONZE PLATED WITH 1.27µm[.000050] MINIMUM THICK HARD GOLD IN LOCALIZED AREA AND 3.81µm [.000150] MINIMUM THICK MATTE TIN IN SOLDER AREA OVER 1.27µm[.000050] MINIMUM THICK NICKEL UNDERPLATE.

△2 JACK CAVITY CONFORMS TO FCC RULES AND REGULATIONS, PART 68 SUBPART F.

△3 USE #30 DRILL BIT OR 3.25mm DRILL BIT WHEN PRODUCING THESE PCB HOLES.



SUGGESTED PC BOARD LAYOUT  
 COMPONENT SIDE  
 SEE APPLICATION SPECIFICATION



SUGGESTED PANEL CUTOUT

3.05 [.120]	1932095-2
3.56 [.140]	1932095-1
DIM A	PART NUMBER

THIS DRAWING IS A CONTROLLED DOCUMENT.		DWN	14MARCH08	Tyco Electronics Corporation	
DIMENSIONS: mm [INCHES]		CHK	14MARCH08	Harrisburg, Pa 17105-3608	
TOLERANCES UNLESS OTHERWISE SPECIFIED:		APVD	14MARCH08	NAME	
0 PLC	± -	PRODUCT SPEC	108-1163-2	MODULAR JACK ASSEMBLY,	
1 PLC	± -	APPLICATION SPEC	114-2048	8 POSITION, RIGHT ANGLE, LOW PROFILE,	
2 PLC	± 0.25 [.010]	WEIGHT	-	SIZE	CAGE CODE
3 PLC	± -	CUSTOMER DRAWING		A2	00779
4 PLC	± -	SCALE	2:1	DRAWING NO	C=1932095
ANGLES	± -	SHEET	1	REV	A
FINISH	SEE NOTE 1	RESTRICTED TO			