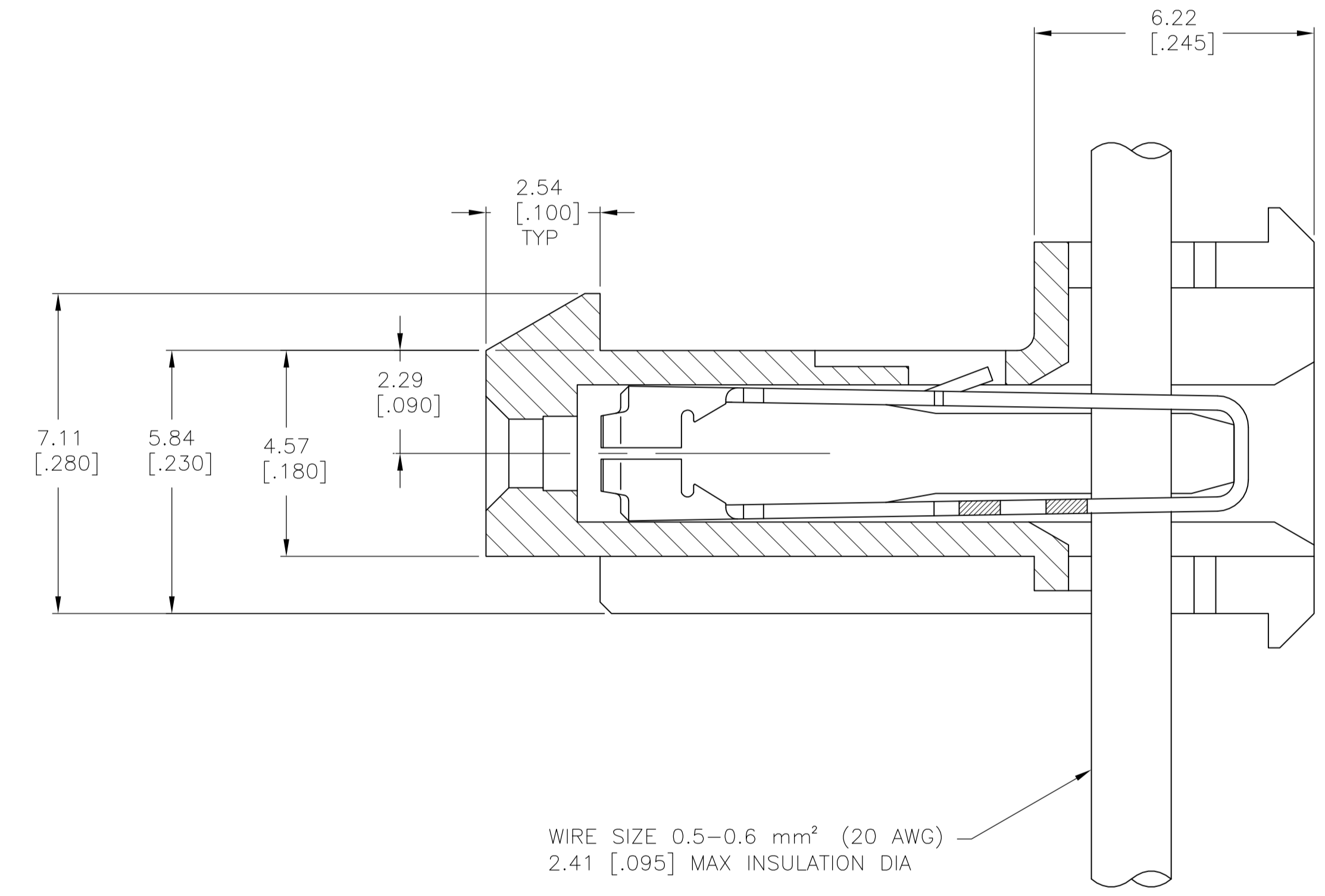
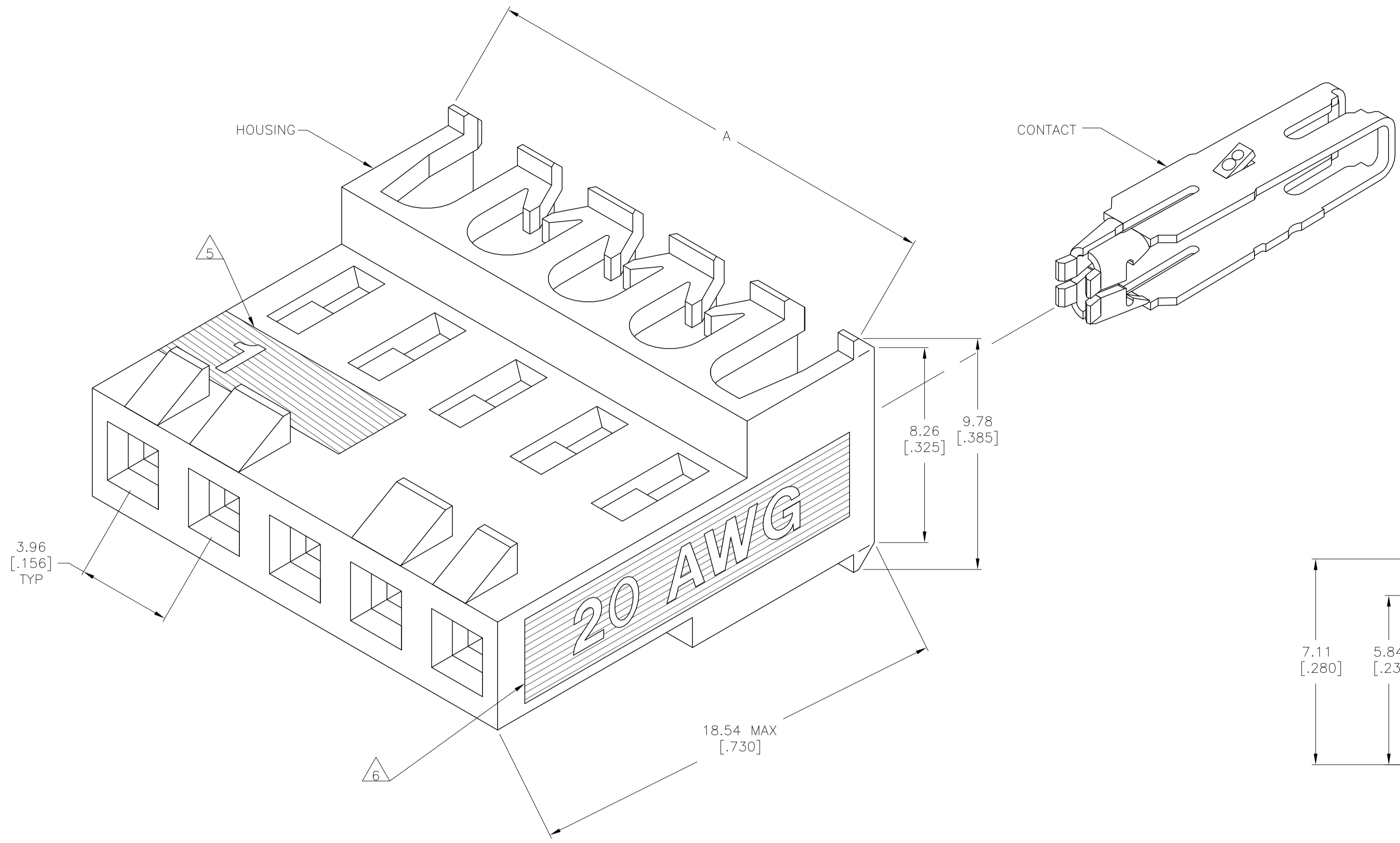


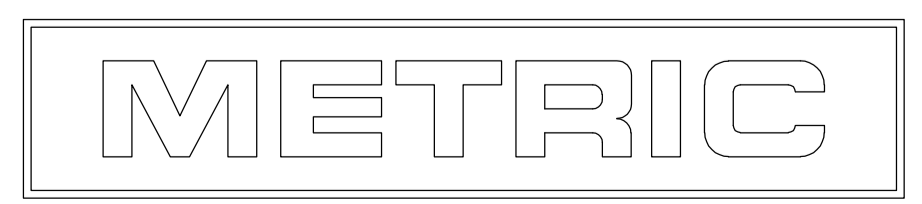
LOC		DIST		REVISIONS			
CM	00	REV	DESCRIPTION	DATE	BY	CHKD	APVD
E		ECO-07-012892		22JUN07	KW	DB	
E1		REVISED PER ECO-09-022908		08OCT09	KK	AEG	

- OPERATING TEMPERATURE: -55° C TO 105°C
- MATERIAL: HOUSING, NYLON 6/6, UL 94V-0, BLACK
CONTACT, 0.30 [.012] THICK COPPER ALLOY
- FINISH: BRIGHT TIN-LEAD PLATE 0.00203-0.00508
[.000080-.000200"] THICK OR
MATTE WHISKER MITIGATED TIN 0.00203 [.000080] MIN THICKNESS
OVER NICKEL UNDERPLATE.
- LUBRICATED WITH AMP ANTI-FRETTING LUBRICANT.
- IDENTIFICATION NUMBER FOR FIRST CIRCUIT.
- WIRE GAUGE IDENTIFICATION
- DIMENSIONS IN BRACKETS ARE IN INCHES.
- CONTACT MUST ACCEPT 1.14±0.03 [.045±.001]
SQUARE POST AND REMAINED LOCKED IN POSITION.
- OBsolete PARTS: OBSOLETE CIS STREAMLINING PER D.RENAUD/D.SINISI



TIN	47.55±0.30	[1.872±.012]	12	4-644376-2
TIN	43.59±0.30	[1.716±.012]	11	4-644376-1
TIN	39.62±0.30	[1.560±.012]	10	4-644376-0
TIN	35.66±0.30	[1.404±.012]	9	3-644376-9
TIN	31.70±0.30	[1.248±.012]	8	3-644376-8
TIN	27.74±0.30	[1.092±.012]	7	3-644376-7
TIN	23.77±0.30	[.936±.012]	6	3-644376-6
TIN	19.81±0.30	[.780±.012]	5	3-644376-5
TIN	15.85±0.15	[.624±.006]	4	3-644376-4
TIN	11.89±0.15	[.468±.006]	3	3-644376-3
TIN	7.92±0.15	[.312±.006]	2	3-644376-2
FINISH	A		NO. OF CKTS	PART NO.

9 SUPERCEDED	TIN-LEAD	47.55±0.30	[1.872±.012]	12	1-644376-2
	TIN-LEAD	43.59±0.30	[1.716±.012]	11	1-644376-1
	TIN-LEAD	39.62±0.30	[1.560±.012]	10	1-644376-0
	TIN-LEAD	35.66±0.30	[1.404±.012]	9	644376-9
	TIN-LEAD	31.70±0.30	[1.248±.012]	8	644376-8
	TIN-LEAD	27.74±0.30	[1.092±.012]	7	644376-7
	TIN-LEAD	23.77±0.30	[.936±.012]	6	644376-6
	TIN-LEAD	19.81±0.30	[.780±.012]	5	644376-5
	TIN-LEAD	15.85±0.15	[.624±.006]	4	644376-4
	TIN-LEAD	11.89±0.15	[.468±.006]	3	644376-3
	TIN-LEAD	7.92±0.15	[.312±.006]	2	644376-2
	FINISH	A		NO. OF CKTS	PART NO.



THIS DRAWING IS A CONTROLLED DOCUMENT.

DIMENSIONS: mm [INCHES]	TOLERANCES UNLESS OTHERWISE SPECIFIED:	0. PLC ± -	1. PLC ± -	2. PLC ± -	3. PLC ± 0.13 [.005]	4. PLC ± -	ANGLES ± -
-------------------------	--	------------	------------	------------	----------------------	------------	------------

MATERIAL: FINISH:

THIS DRAWING IS A CONTROLLED DOCUMENT. DWG: C. MARTIN 23APR90. CHK: R. SWING 24APR90. G. MILLER 24APR90. NAME: Tyco Electronics Corporation, Harrisburg, Pa 17105-3608. PRODUCT SPEC: MTA-156 CONNECTOR ASSEMBLY, QUAD, 20 AWG, FEED THRU, WITH LOCKING RAMP. APPLICATION SPEC: 108-1219. SIZE: 114-1048. WEIGHT: -. A1 00779 C=644376. CUSTOMER DRAWING. SCALE: 10:1. SHEET: 1 OF 1. REV: E1.