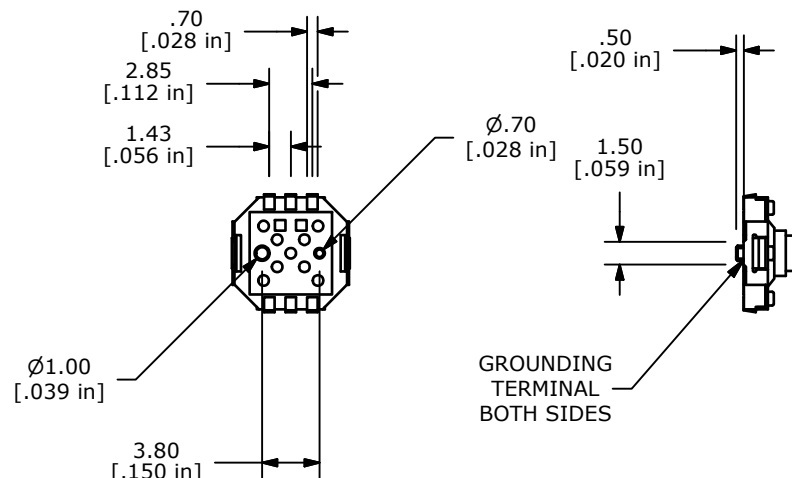
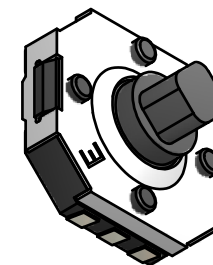
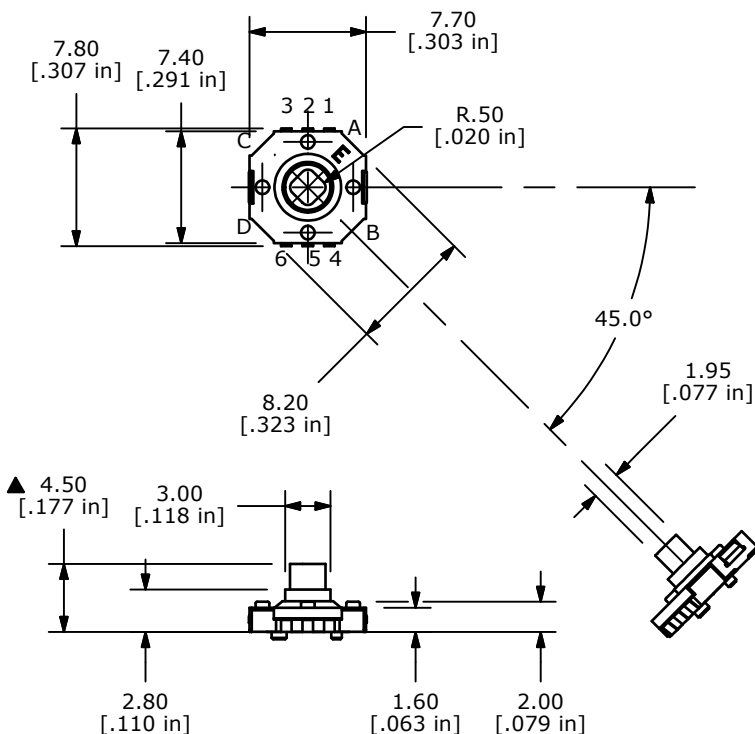


▲ CIRCUIT DIAGRAM

OPERATING POSITION	CIRCUIT
A	⑤-①
B	⑤-④
C	⑤-⑥
D	⑤-③
CENTER PUSH	⑤-②

NOTES:

1. RATING: 12V DC 50mA MAX.
2. CONTACT RESISTANCE: 100 milli OHMS MAX.
3. OPERATING FORCES:
 CENTER PUSH: 360 ± 60gf
 STROKE: 0.25 +0.1/-0.2 mm
 4-WAY DIRECTION: 160 ± 50gf
 TRAVEL: 5° +2.5°/-1°
4. LIFE CYCLES: 100,000
5. INSULATION RESISTANCE 100M OHMS@100VDC
6. DIELECTRIC STRENGTH: 250VAC FOR 1 MINUTE.
7. OPERATING TEMPERATURE: -25°C TO +70°C
8. STORAGE TEMPERATURE: -40°C TO +85°C
9. GENERAL TOLERANCE: ± 0.3
10. 2002/95/EC (ROHS) COMPLIANT
11. ▲ DENOTES CRITICAL PARAMETER.



REV	PCR NO	DESCRIPTION	DATE	BY
B	19637	DRAWING UPDATES	02/07/11	BMA
A	18745	New-release	12/7/09	rc

TITLE JS1400AVQ				
SCALE 2=1	DATE 12/7/2009	DR rc	DWG N211126	REV B

THE INFORMATION CONTAINED IN THIS DOCUMENT IS PROPRIETARY TO E-SWITCH AND IS NOT TO BE COPIED OR TRANSFERRED