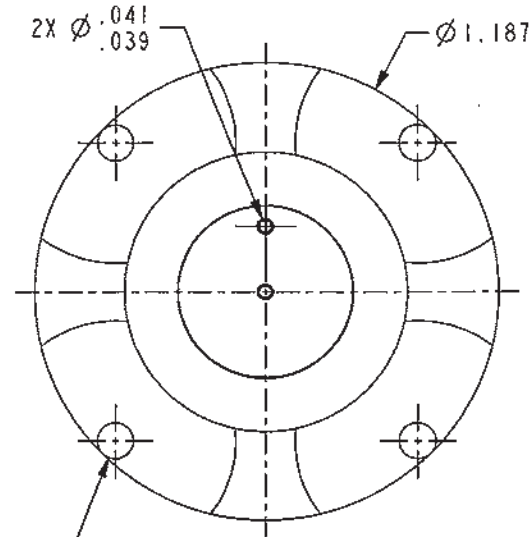
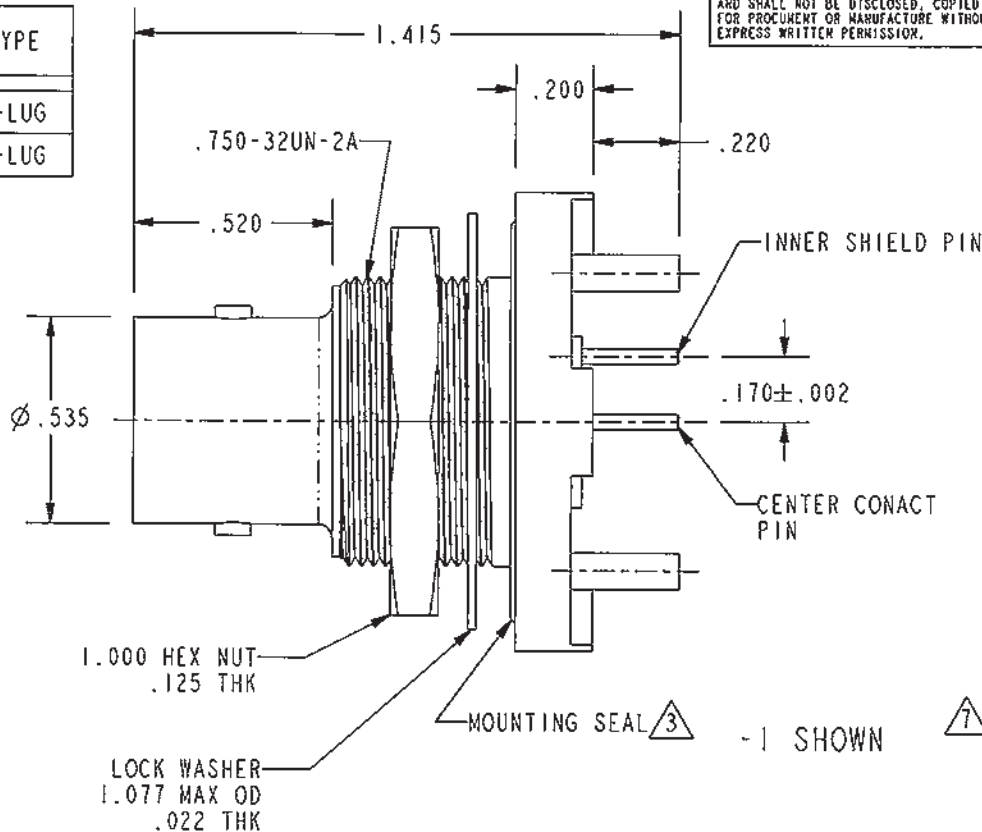


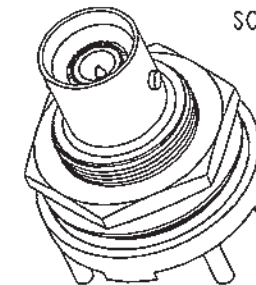
DASH NO	MODEL NO	TYPE
-1	CBBJ82	2-LUG
-2	CBBJ823	3-LUG

DATA CONTAINED IN THIS DOCUMENT IS PROPRIETARY TO TROMPETER ELECTRONICS INC. AND SHALL NOT BE DISCLOSED, COPIED OR USED FOR PROCUREMENT OR MANUFACTURE WITHOUT EXPRESS WRITTEN PERMISSION.

REVISIONS			
REV	DESCRIPTIONS	DATE	APPROVED
F	REVISED PER ECO 14566	5/29/02	WJX



SCALE 1/1



RED INDICATES ORIGINAL

7 PRE-TINNED, .0015 MAXIMUM THICKNESS WITH SN63 OR EQUIV SOLDER, PER QQ-S-571, TO WITHIN .060 MAXIMUM OF SHOULDER, AFTER PLATING

6. INTERFACE: TCS-BJ80

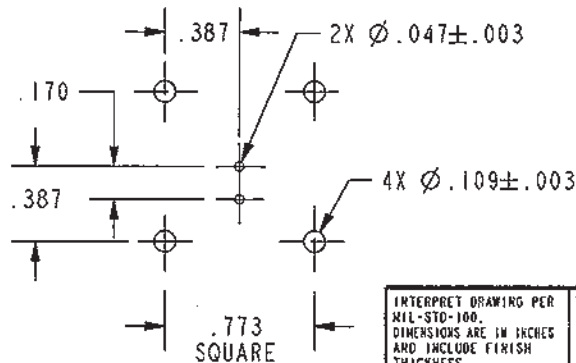
5. MAX BOARD THK .190

4. MAX PANEL THK .250 (WITH 2 FULL THD EXPOSED)


3 PARKER SEAL NO. 2-021S604-70 (.926 GLAND ID)

2. FINISH: TFS-1A (NICKEL)

1. CONCENTRIC TWINAX/TRIAX, SERIES TRC, CIRCUIT BOARD/BULKHEAD JACK



RECOMMENDED
MTG HOLE PATTERN
SCALE 1/1

INTERPRET DRAWING PER MIL-STD-100. DIMENSIONS ARE IN INCHES AND INCLUDE FINISH THICKNESS UNLESS OTHERWISE SPECIFIED.		TOL: UNLESS SPECIFIED. .XX ± .02 .XXX ± .005 ANGLE ± 1°		 a cinch connectivity solutions brand	
DRN	JCM 5-28-02	MATERIAL:			
CHK	TJW 5/29/02	FINISH:		CBBJ82/CBBJ823	
QUALITY	5/29/02	SEE NOTE 2		SIZE	A 14949
MANUF	5/29/02	DO NOT SCALE DWG		CAGE CODE	14949
APPROVED	WJX 5/29/02	SCALE		DRAWING NO.	3-0041
PROJECT NO.	3-0041	DATE		7-12-79	SHEET
NEXT ASSY		SHEET		IC	REV.
					F

NOTES: UNLESS OTHERWISE SPECIFIED.