

THIS DRAWING IS UNPUBLISHED.

RELEASED FOR PUBLICATION

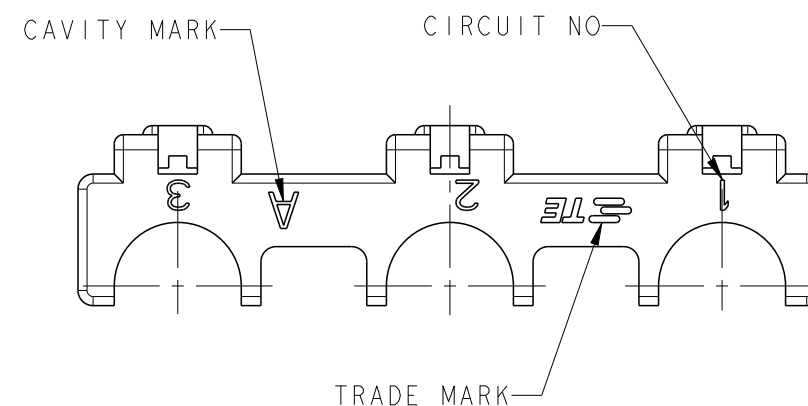
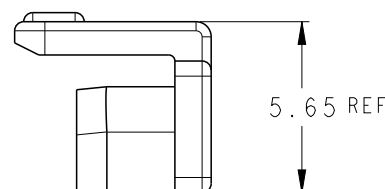
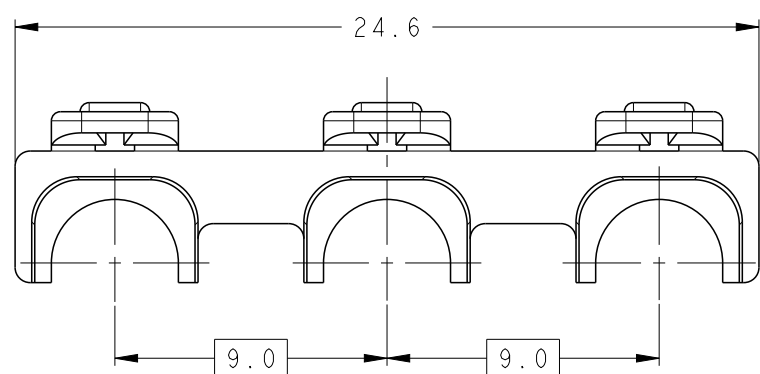
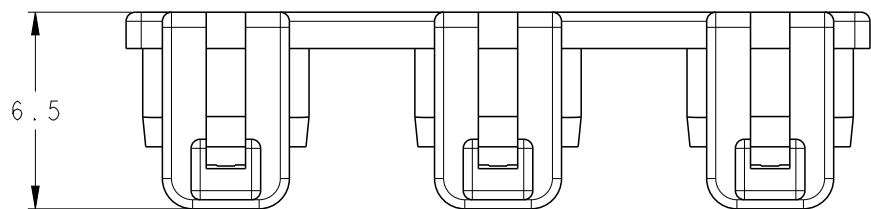
20

© COPYRIGHT 20 BY -

ALL RIGHTS RESERVED.

REVISIONS


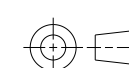
P	LTR	DESCRIPTION	DATE	DWN	APVD
	A	PRODUCT RELEASED PER ECR-17-005313	13APR2017	SC	BH



NOTE,

1. APPLICABLE WIRE: UL1015 TYPE, AWG #16~#12

*-1903414-2	BLACK	2232563-1
MATING P/N	COLOR	P/N

THIS DRAWING IS A CONTROLLED DOCUMENT.		DWN SC KIM 26OCT2016	 TE Connectivity	
DIMENSIONS: mm		CHK BH CHO 26OCT2016		
		APVD BW KANG 26OCT2016		
TOLERANCES UNLESS OTHERWISE SPECIFIED: 0 PLC ± ±0.3 1 PLC ± ±5° 2 PLC ± ±5° 3 PLC ± ±5° 4 PLC ± ±5° ANGLES ± ± FINISH -		PRODUCT SPEC 108-78357		
MATERIAL PA66, UL94V-0		APPLICATION SPEC 114-5356	NAME GRACE HI-CURRENT(GHC) 9.0mm 3POS TPA HOUSING	
		WEIGHT -	SIZE A3	CAGE CODE 00779
		CUSTOMER DRAWING	DRAWING NO C-2232563	RESTRICTED TO -
			SCALE 4:1	SHEET 1 OF 1 REV A