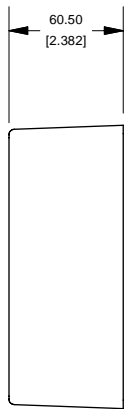
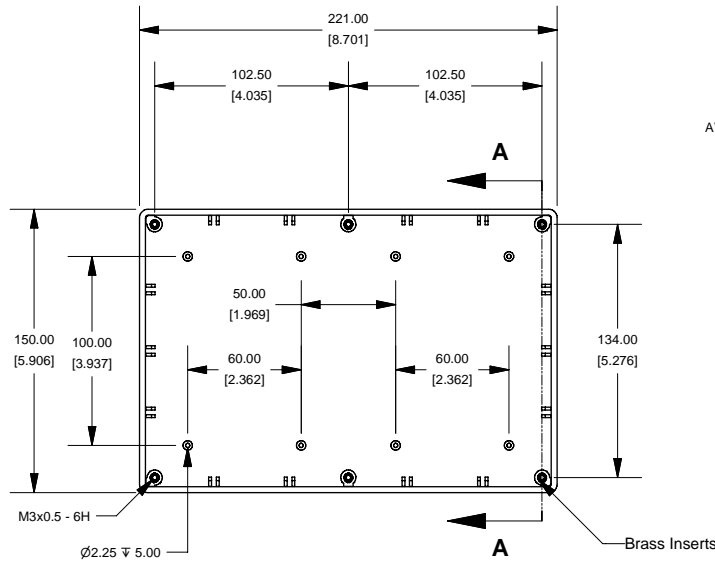


# 1591XXF Enclosure



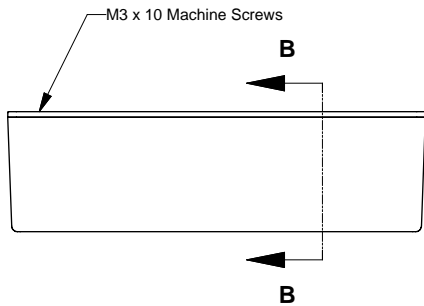
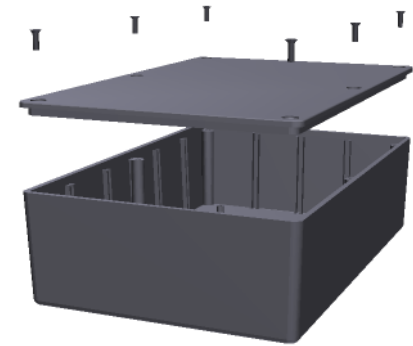
SIDE VIEW OF BOX



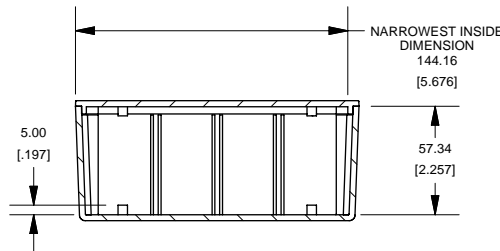
TOP VIEW OF BOX



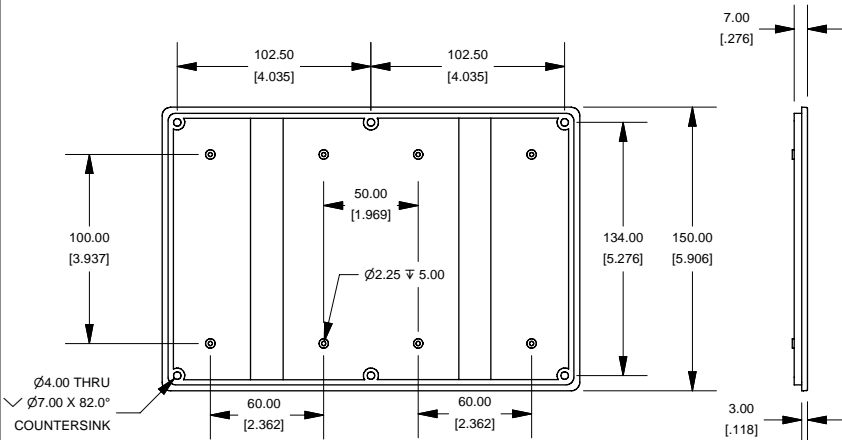
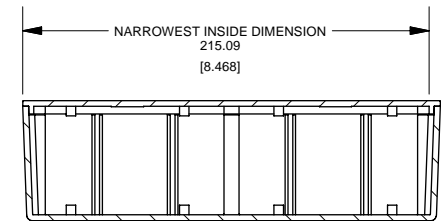
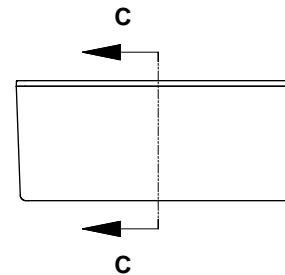
SECTION A-A



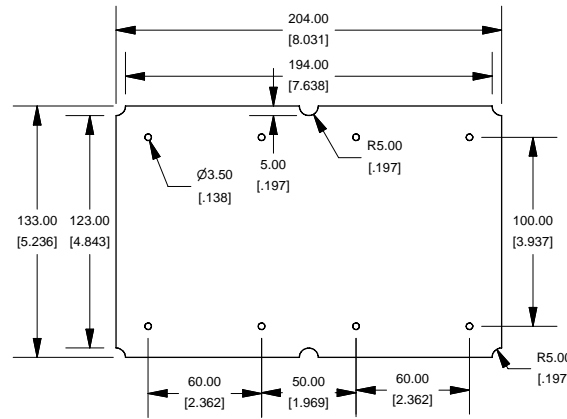
SECTION B-B



SECTION C-C



BOTTOM VIEW OF LID



SIDE VIEW OF LID

Max Size PCB. Fits in Box or in Lid.  
Not supplied with Enclosure

**Note:**

Enclosures available modified, Milling, Drilling, Silk Screening.  
Solid models of this enclosure available in STEP or IGES.  
Contact Factory [mjm@hammondmg.com](mailto:mjm@hammondmg.com)

NOTE	
Enclosure molded from FRABS UL 94-V0 Plastic. Other materials / Colours Available Consult Factory	
1591XXF	
1591XXF Enclosure	
Black Enclosure - RAL 7011	1591XXFBK
Gray Enclosure - RAL 7035	1591XXFGY
ACCESSORIES	
For Flame Retardant ABS (UL94-V0)	
Black Enclosure Cover Screws (Pkg 100)	1591MS100BK
Gray Enclosure Cover Screws (Pkg 100)	1591MS100
P.C. Board Screws (All Boxes)	
P.C. Board Screws	1593ATS50 (Pkg 50)
#4 x 1/4" self-tapping (6.4mm)	1593ATS100 (Pkg 100)

