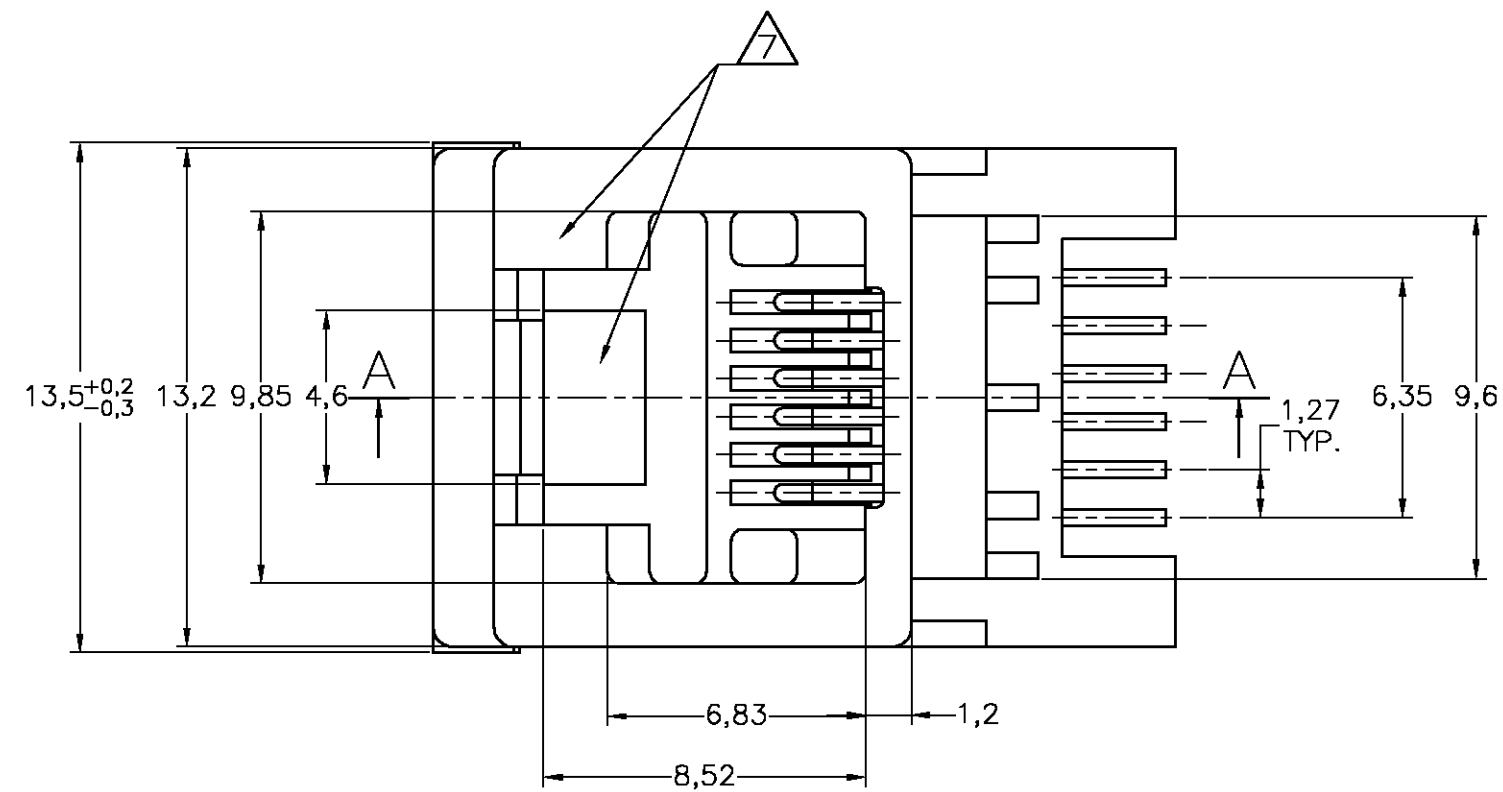


DO NOT SCALE  
DIMENSIONS IN mm

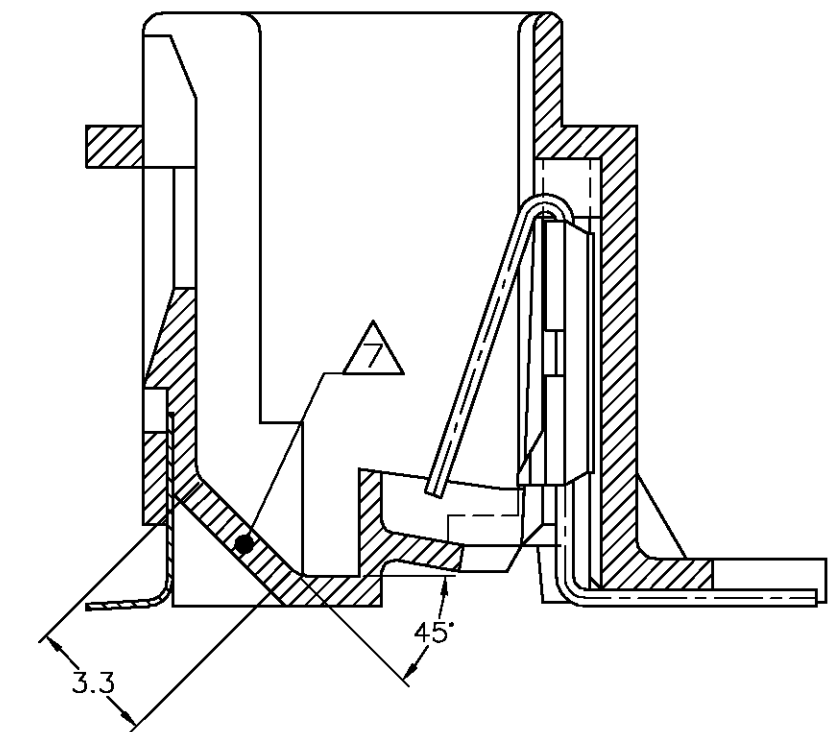
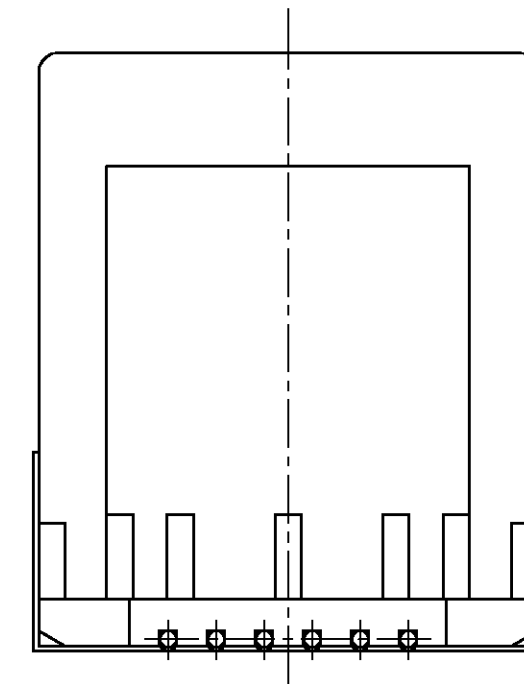
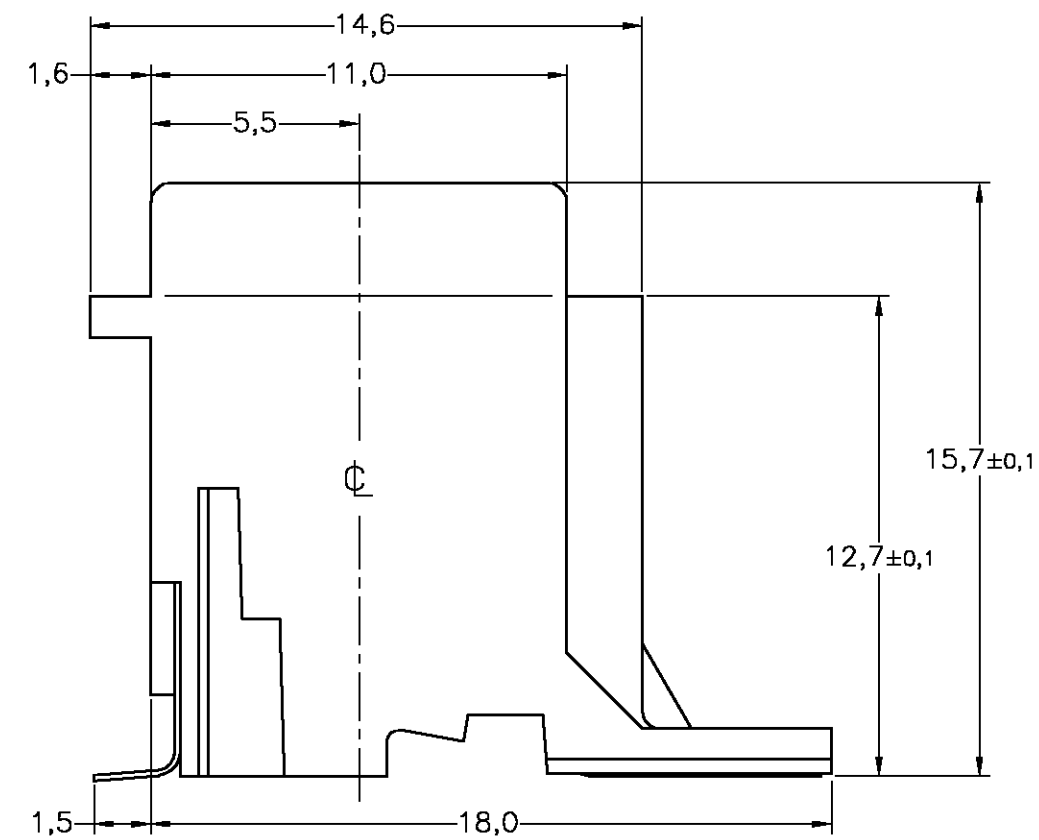
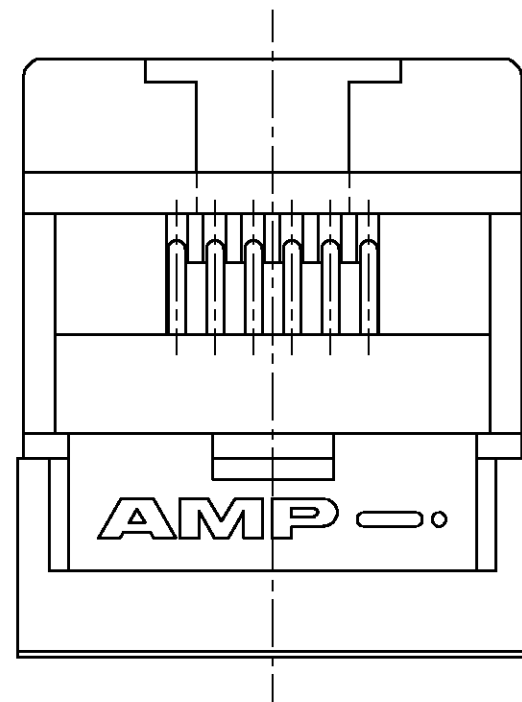
METRIC

THIRD ANGLE  
PROJECTION

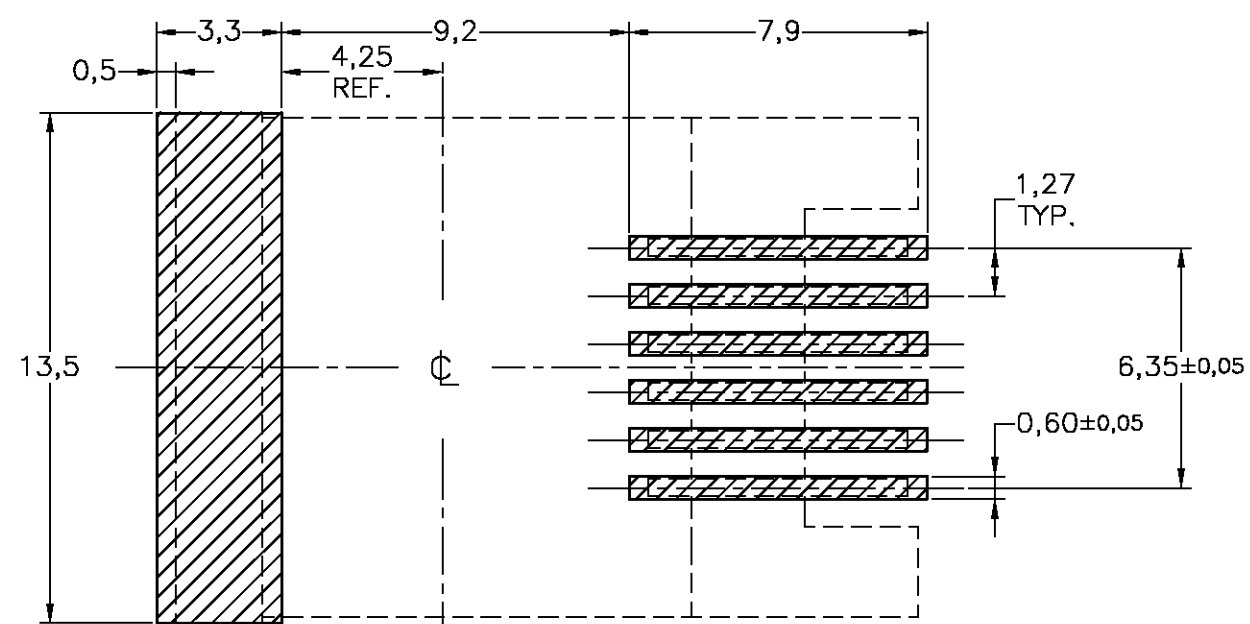


NOTES:

- 1 TOLERANCES UNLESS OTHERWISE SPECIFIED:  $\pm 0,15$
- 2 CONTACTS:  
1,25  $\mu\text{m}$  MIN. GOLD OVER 1,25  $\mu\text{m}$  MIN. NICKEL IN CONTACT AREA.  
2,0  $\mu\text{m}$  MIN. TIN-LEAD OVER 1,25  $\mu\text{m}$  MIN. NICKEL ON SOLDER TINES.
- 3 HOUSING:  
30% G.F. PA 4.6, COLOR BLACK, UL-94-V0  
CONTACTS:  
PHOSPHOR BRONZE  
ADDITIONAL SOLDERBRACKET:  
TINPLATED BRASS
- 4 MODULAR JACKS DELIVERED TAPE MOUNTED ON REEL. SEE SHEET 2.
- 5 PRODUCT SPECIFICATION: 108-19117.  
APPLICATION SPECIFICATION: 114-19041.
- 6 SOLDER PASTE THICKNESS 0,15mm ( $\approx 0,006''$ ) MIN.
- 7 SURFACE CAN BE USED FOR PICKING THE MODULAR JACK WITH A TYPE II SMD MACHINE.



SECTION A-A



PRINTED CIRCUIT BOARD LAYOUT

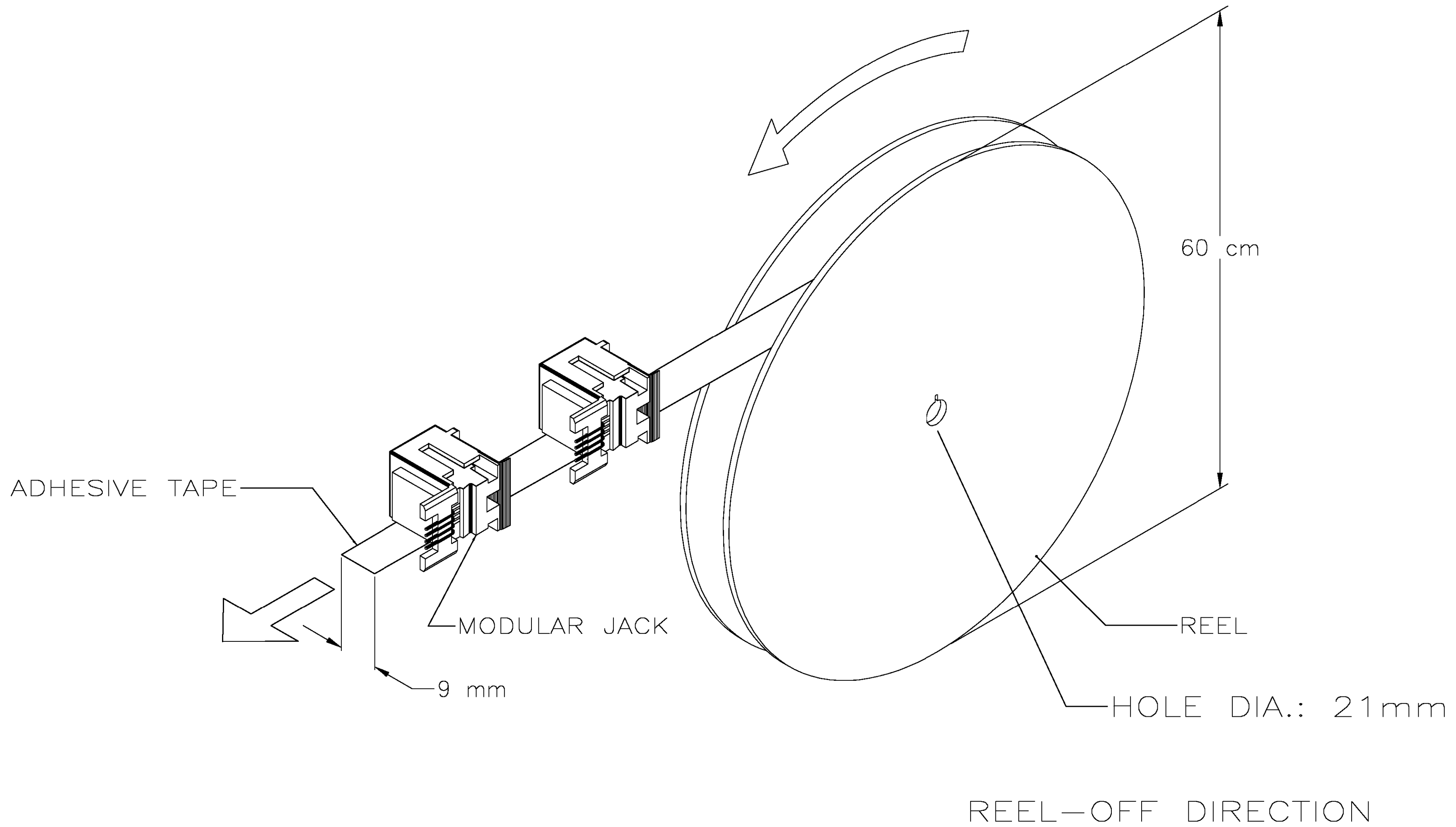
6 POS. / 6 CONTACTS	TUBE	40 PCS PER TUBE	3-100861-1
6 POS. / 6 CONTACTS	REEL	600 PCS. ON A 60cm DIA REEL SEE SHEET 2	100861-1 $\Delta$
DESCRIPTION	PACKAGING	QTY	PART NUMBER
CUSTOMER DRAWING FOR REFERENCE ONLY WILL NOT BE UPDATED			
<small>© COPYRIGHT 19 BY AMP HOLLAND B.V. ALL INTERNATIONAL RIGHTS RESERVED. AMP PRODUCTS MAY BE COVERED BY U.S. AND FOREIGN AND/OR PATENTS PENDING. THIS DRAWING IS UNPUBLISHED RELEASED FOR PUBLICATION</small>			
<b>tyco</b> Electronics		Tyco Electronics Corporation Oostkamp - BELGIUM	
R	SR10-0418-01	KV KV	28 SEP 01
P	SR10-0106-01	KV KV	09 MAR 01
LTR.	REVISION RECORD	DR. CHK.	DATE
DR.: VEROUGSTRATE	CHK.:	APP.:	DWG.No.
DATE: 19 JAN 01	DATE:	DATE:	C-100861
		REV.LTR.	SHEET
		R	1 OF 2
			A2

11 | 10 | 9 | 8 | 7 | 6 | 5 | 4 | 3 | 2 | 1

DO NOT SCALE  
DIMENSIONS IN mm

METRIC

THIRD ANGLE  
PROJECTION



				CUSTOMER DRAWING FOR REFERENCE ONLY WILL NOT BE UPDATED	
				© COPYRIGHT 19 BY AMP HOLLAND B.V. ALL INTERNATIONAL RIGHTS RESERVED. AMP PRODUCTS MAY BE COVERED BY U.S. AND FOREIGN AND/OR PATENTS PENDING.	
				THIS DRAWING IS UNPUBLISHED RELEASED FOR PUBLICATION _____, 19____	
				Tyco Electronics Corporation Oostkamp - BELGIUM	
				NAME MODULAR JACK, 6 POSITION TOP ENTRY	
				FOR SURFACE MOUNT APPLICATION	
LTR.	REVISION RECORD	DR.	CHK.	DATE	
DR.: VEROUGSTRAETE	CHK.:	APP.:	DWG.No.		REV.LTR.
DATE: 19 JAN 01	DATE:	DATE:	C-100861		R
				SHEET	A2
				2 OF 2	