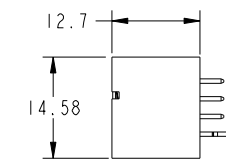
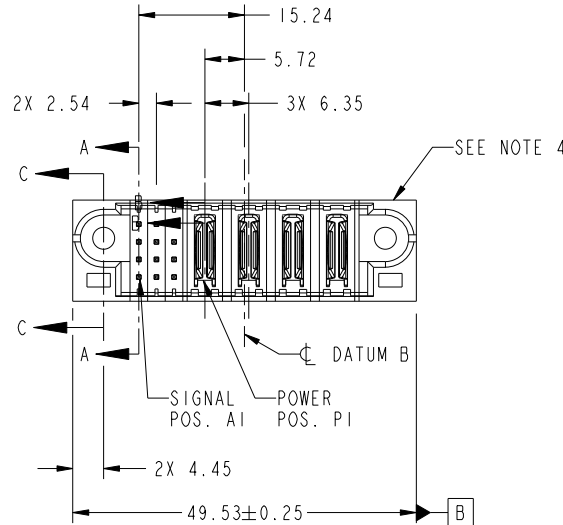


Tous droits strictement reserves. Reproduction ou communication a des tiers interdite sous quelque forme que ce soit sans autorisation écrite du propriétaire. Propriete de c FCI. Droits de reproduction FCI.



All rights strictly reserved. Reproduction or issue to third parties in any form whatever is not permitted without written authority from the proprietor. Property of FCI. Copyright FCI.

PRODUCT NO.	ROWS	SIGNAL			POWER				E2	
		E1	1	2	3	P1	P2	P3		P4
51711-004-- NOTE ③	D C B A									



CODE	DIM "M" MATING LENGTH	CONTACT TYPE
PA	[N/A]	POWER
E	[6.86]	SIGNAL
HA	[N/A]	HOLD-DOWN
H	[5.59]	SIGNAL
L	[7.82]	SIGNAL

mat'l code				tolerances unless otherwise specified				CUSTOMER		FCI	
ltr	ecn no.	dr	date	linear	0.X ±0.5	COPY		www.fciconnect.com			
A	DG09-0106	WD	04/08/09	angles	0.XX ±0.25	projection		title 12S + 4P VERTICAL SOLDER HEADER			
					0.XXX ±0.1	MIM		product family PwrBlade		code 213	
				dr	0° ±2°	scale 1:1		size A		sheet 1 of 4	
				enr	Warren Du 03/28/09			dwg no 51711-004			
				chr	Warren Du 03/28/09						
				appd	PM ZHENG 03/28/09						
					JOSEPH HSIA 03/28/09						
sheet index	revision sheet	A	A	A	A						
		1	2	3	4						

cage code 22526

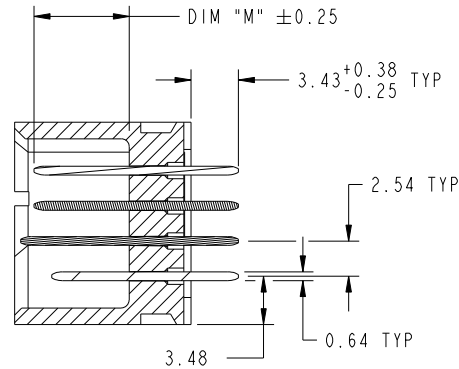
Pro/E

Tous droits strictement reserves. Reproduction ou communication a des tiers interdite sous quelque forme que ce soit sans autorisation ecrite du proprietaire. Propriete de c FCI. Droits de reproduction FCI.

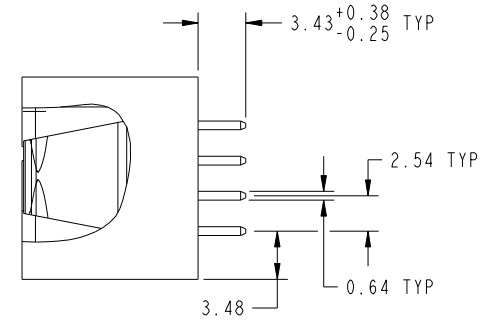
All rights strictly reserved. Reproduction or issue to third parties in any form whatever is not permitted without written authority from the proprietor. Property of FCI. Copyright FCI.



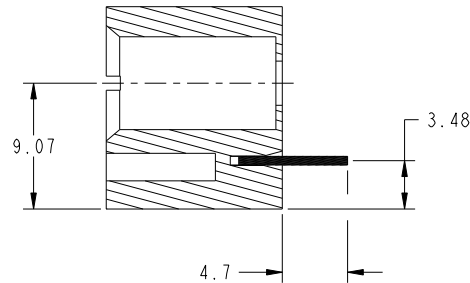
PRODUCT NUMBER
51711-004__
NOTE 3



SECTION A-A
SCALE 2:1



SECTION B-B
SCALE 2:1



SECTION C-C
SCALE 2:1

mat'l code				tolerances unless otherwise specified		CUSTOMER		 www.fciconnect.com	
ltr	ecn no.	dr	date	linear	0.X ±0.5	COPY		title	
A					0.XX ±0.25	projection		12S + 4P VERTICAL SOLDER HEADER	
				angles	0.XXX ±0.1			product family	
				dr	0° ±2°			PwrBlade	
				enr	Warren Du 03/28/09	scale		code	
				chr	Warren Du 03/28/09	1:1		213	
				appd	PM ZHENG 03/28/09			sheet	
					JOSEPH HSIA 03/28/09			2 of 4	
sheet index		revision sheet						A	
								51711-004	

cage code 22526

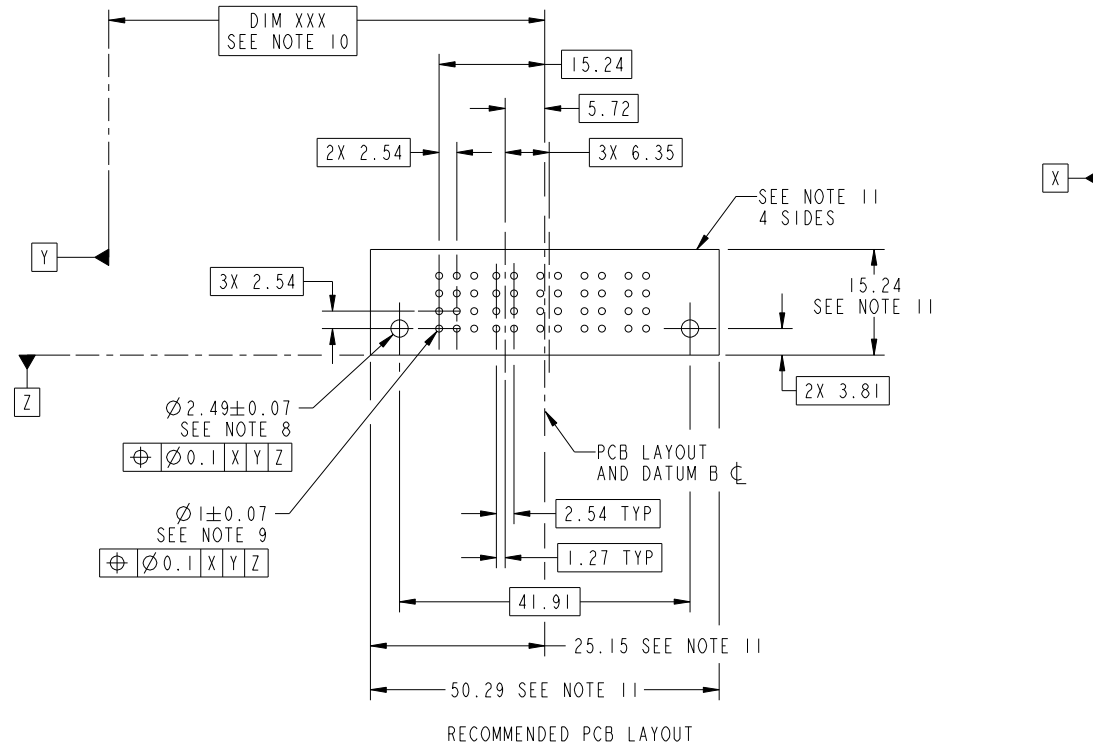
Pro/E

Tous droits strictement reserves. Reproduction ou communication a des tiers interdite sous quelque forme que ce soit sans autorisation écrite du propriétaire. Propriete de c FCI. Droits de reproduction FCI.



All rights strictly reserved. Reproduction or issue to third parties in any form whatever is not permitted without written authority from the proprietor. Property of FCI. Copyright FCI.

PRODUCT NUMBER
51711-004__
NOTE 3



RECOMMENDED PCB LAYOUT

mat'l code				tolerances unless otherwise specified		CUSTOMER		FCI	
ltr	ecn no.	dr	date	linear	0.X ± 0.5	COPY		www.fciconnect.com	
A				linear	0.XX ± 0.25	projection		title 12S + 4P VERTICAL SOLDER HEADER	
				angles	0.XXX ± 0.1	MIM		product family PwrBlade code 213	
				dr	0° ± 2°	scale		size A	
				enr	Warren Du 03/28/09	1:1		dwg no 51711-004 sheet 3 of 4	
				chr	Warren Du 03/28/09				
				appd	PM ZHENG 03/28/09				
					JOSEPH HSIA 03/28/09				
sheet index	revision sheet								

cage code 22526

Pro/E

Tous droits strictement reserves. Reproduction ou communication a des tiers interdite sous quelque forme que ce soit sans autorisation écrite du propriétaire. Propriete de c FCI. Droits de reproduction FCI.



All rights strictly reserved. Reproduction or issue to third parties in any form whatever is not permitted without written authority from the proprietor. Property of FCI. Copyright FCI.

PRODUCT NUMBER
51711-004--
NOTE 3

NOTES:

1. DIMENSIONS AND TOLERANCES ARE IN ACCORDANCE WITH ASME Y14.5M, 1994 UNLESS OTHERWISE SPECIFIED.

CONNECTOR NOTES:

- 2 HOUSING MATERIAL: UL 94 V-0 GLASS FILLED HIGH-TEMP THERMOPLASTIC
POWER CONTACT MATERIAL: COPPER ALLOY
SIGNAL PIN MATERIAL: COPPER ALLOY
 - 3. SEE ITEM 1 & 2 IN PRINT 10064183 FOR PLATING SPEC OF 51711-004 AND 51711-004LF RESPECTIVELY.
 - 4 MANUFACTURER'S NAME, P/N, AND DATE CODE TO APPEAR ON THIS SURFACE.
 - 5. PRODUCT SPECIFICATION GS-12-149.
APPLICATION SPECIFICATION BUS-20-067.
 - 6. PACKAGED IN TRAYS.
- PCB NOTES:
- 7. ALL HOLE DIAMETERS ARE FINISHED HOLE SIZE.
 - 8. MOUNTING HOLES, WHERE APPLICABLE, ARE UNPLATED.

- 9 $\varnothing 1.151 \pm 0.025$ DRILLED HOLES PLATED WITH
0.008 MIN SnPb OR Sn OVER .001 [0.03]
TO 0.08 Cu PLATING TO ACHIEVE
 $\varnothing 1.02 \pm .07$ HOLE.
- 10 "DIM XXX" TO BE DETERMINED BY THE CUSTOMER.
- 11 CONNECTOR KEEP-OUT ZONE.

mat'l code				tolerances unless otherwise specified		CUSTOMER		FCI	
ltr	ecn no.	dr	date	linear	0.X ± 0.5	COPY		www.fciconnect.com	
A					0.XX ± 0.25	projection	title		
					0.XXX ± 0.1		12S + 4P VERTICAL SOLDER HEADER		
				angles	0° + 2°			product family PwrBlade code	
				dr	Warren Du 03/28/09			size	
				engr	Warren Du 03/28/09			dwg no 213	
				chr	PM ZHENG 03/28/09			sheet	
				appd	JOSEPH HSIA 03/28/09			4 of 4	
sheet index		revision sheet				scale		A	
						1:1		51711-004	

cage code 22526

Pro/E