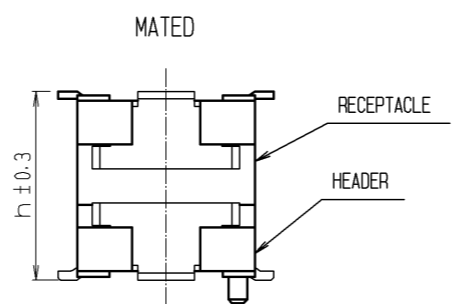


RECOMMENDED PATTERN

CODE NO.	CONTACT	A	B	C	D	E	F	G	H
CL683-0022-0-57	20	10	6.8	5.5	4.5	9.8	8.2	10.4	7.6
CL683-0243-9-57	26	11.5	8.3	7	6	11.3	9.7	11.9	9.1
CL683-0023-2-57	30	12.5	9.3	8	7	12.3	10.7	12.9	10.1
CL683-0024-5-57	40	15	11.8	10.5	9.5	14.8	13.2	15.4	12.6
CL683-0025-8-57	50	17.5	14.3	13	12	17.3	15.7	17.9	15.1
CL683-0026-0-57	60	20	16.8	15.5	14.5	19.8	18.2	20.4	17.6
CL683-0027-3-57	70	22.5	19.3	18	17	22.3	20.7	22.9	20.1
CL683-0028-6-57	80	25	21.8	20.5	19.5	24.8	23.2	25.4	22.6

NOTES 1 : LEAD CO-PLANARITY INCLUDE REINFORCED METAL FITTINGS SHALL BE 0.1mm MAX.
 2 WATCH NOT LET THE CONTACTS TOUCH THE SECTION ESPECIALLY WHEN THE PADS OF AREA NOT RESIST FINISHED.

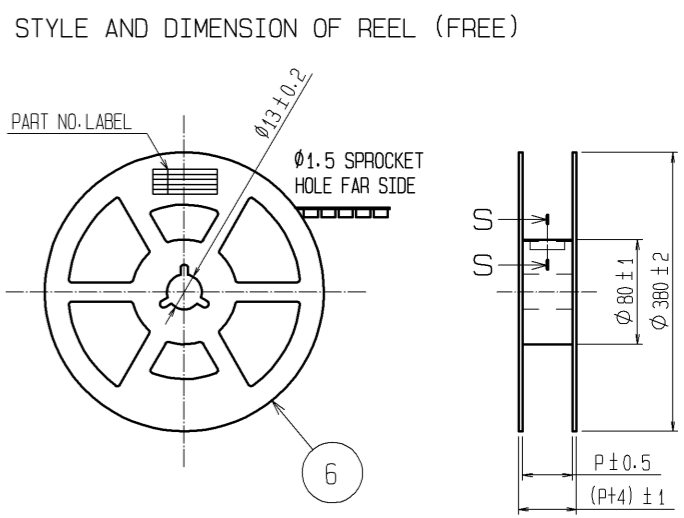
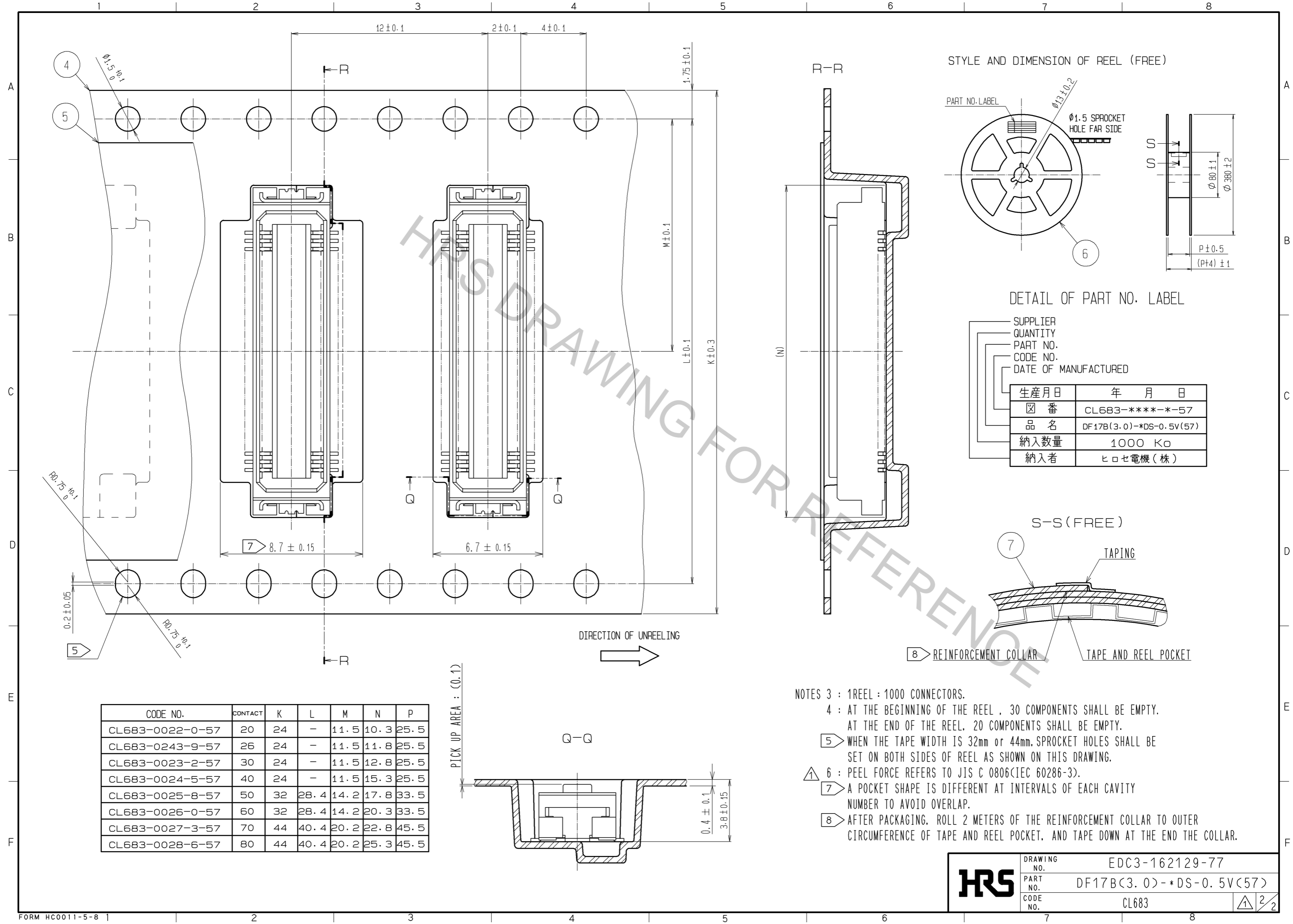
MATED HIGHT (h)		(mm)
HEADER NO.	RECEPTACLE NO.	
DF17#(2.0)-*DP-0.5V(57)	DF17#(3.0)-*DS-0.5V(57)	5
DF17#(4.0)-*DP-0.5V(57)		7



NO.	MATERIAL	FINISH . REMARKS	NO.	MATERIAL	FINISH . REMARKS
2	POLYAMIDE (PA6T)	WHITE BEIGE , UL94V-0	7	PS	CLEAR (REINFORCEMENT COLLAR)
1	PHOSPHER BRONZE	CONTACT AREA : GOLD PLATED 0.1μm min LEAD AREA : GOLD PLATED 0.02μm min UNDER PLATING : NICKEL 1μm min	6	PS	BLACK (PLASTIC REEL)
			5	POLYESTER	CLEAR (COVER TAPE)
			4	PS	CLEAR (EMBOSSED CARRIER TAPE)
			3	PHOSPHER BRONZE	TIN PLATED 1μm min UNDER PLATING : NICKEL 1μm min

UNITS	SCALE	COUNT	DESCRIPTION OF REVISIONS	DESIGNED	CHECKED	DATE
mm	5 : 1	3	DIS-H-008322	KR. AJITO	YH. MICHIDA	13. 11. 20

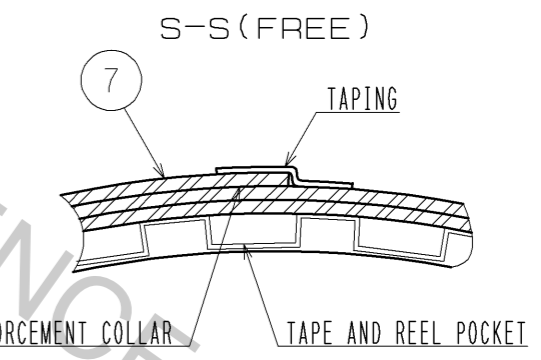
APPROVED	CHECKED	DESIGNED	DRAWN	DRAWING NO.	PART NO.	CODE NO.
KH. IKEDA	TS. MIYAZAKI	YH. MICHIDA	YH. MICHIDA	EDC3-162129-77	DF17B(3.0)-*DS-0.5V(57)	CL683



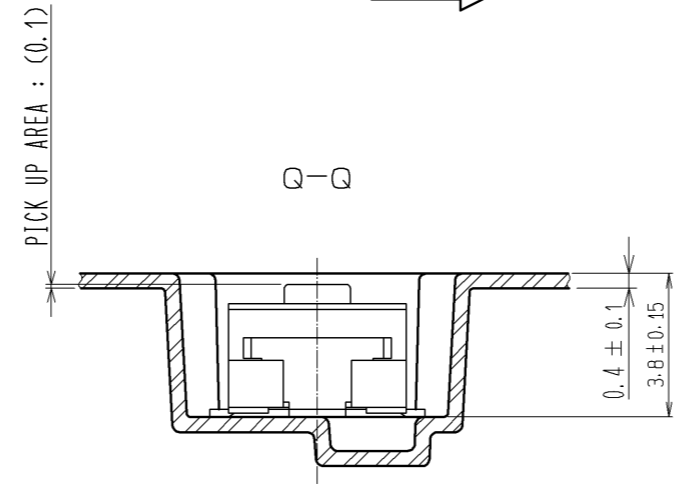
DETAIL OF PART NO. LABEL

SUPPLIER
QUANTITY
PART NO.
CODE NO.
DATE OF MANUFACTURED

生産月日	年 月 日
図 番	CL683-****-*-57
品 名	DF17B(3.0)-*DS-0.5V(57)
納入数量	1000 Ko
納入者	ヒロセ電機(株)



CODE NO.	CONTACT	K	L	M	N	P
CL683-0022-0-57	20	24	-	11.5	10.3	25.5
CL683-0243-9-57	26	24	-	11.5	11.8	25.5
CL683-0023-2-57	30	24	-	11.5	12.8	25.5
CL683-0024-5-57	40	24	-	11.5	15.3	25.5
CL683-0025-8-57	50	32	28.4	14.2	17.8	33.5
CL683-0026-0-57	60	32	28.4	14.2	20.3	33.5
CL683-0027-3-57	70	44	40.4	20.2	22.8	45.5
CL683-0028-6-57	80	44	40.4	20.2	25.3	45.5



- NOTES 3 : 1 REEL : 1000 CONNECTORS.
- 4 : AT THE BEGINNING OF THE REEL , 30 COMPONENTS SHALL BE EMPTY. AT THE END OF THE REEL, 20 COMPONENTS SHALL BE EMPTY.
- 5 WHEN THE TAPE WIDTH IS 32mm or 44mm, SPROCKET HOLES SHALL BE SET ON BOTH SIDES OF REEL AS SHOWN ON THIS DRAWING.
- 6 : PEEL FORCE REFERS TO JIS C 0806(IEC 60286-3).
- 7 A POCKET SHAPE IS DIFFERENT AT INTERVALS OF EACH CAVITY NUMBER TO AVOID OVERLAP.
- 8 AFTER PACKAGING, ROLL 2 METERS OF THE REINFORCEMENT COLLAR TO OUTER CIRCUMFERENCE OF TAPE AND REEL POCKET, AND TAPE DOWN AT THE END THE COLLAR.

HRS	DRAWING NO.	EDC3-162129-77
	PART NO.	DF17B(3.0)-*DS-0.5V(57)
	CODE NO.	CL683
		2/2