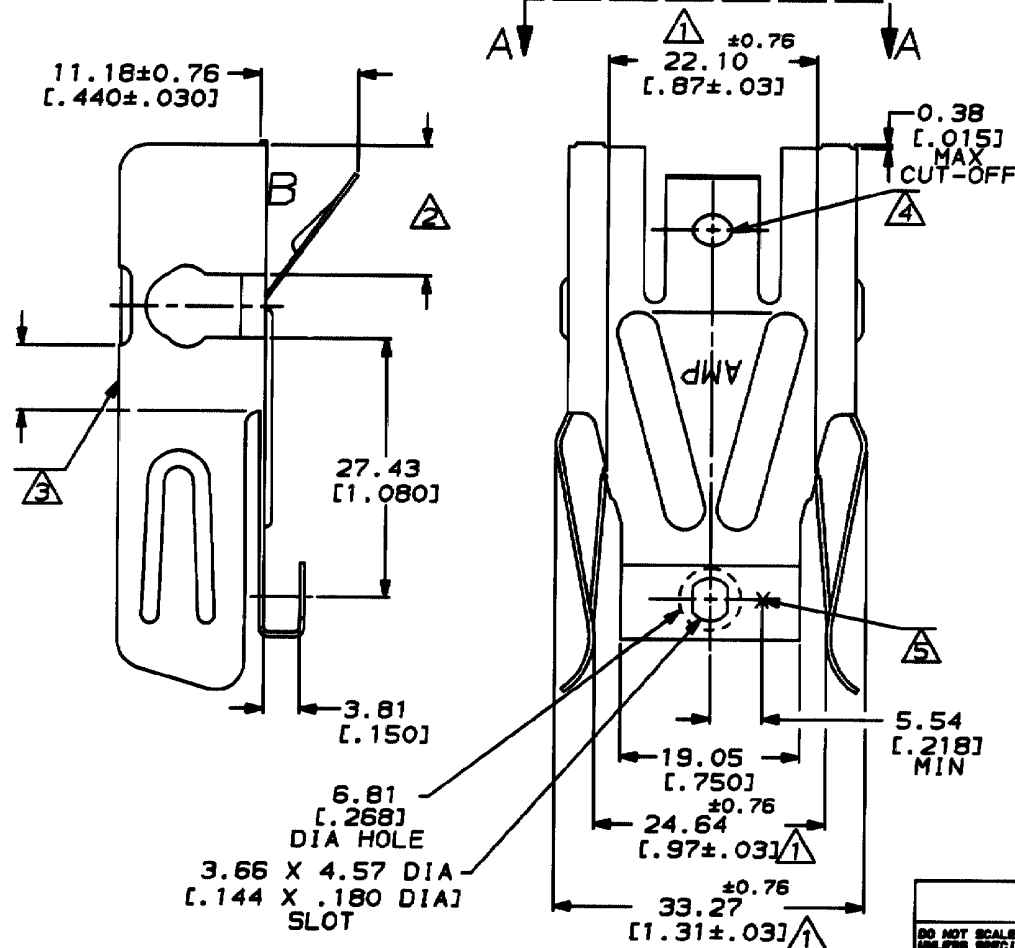


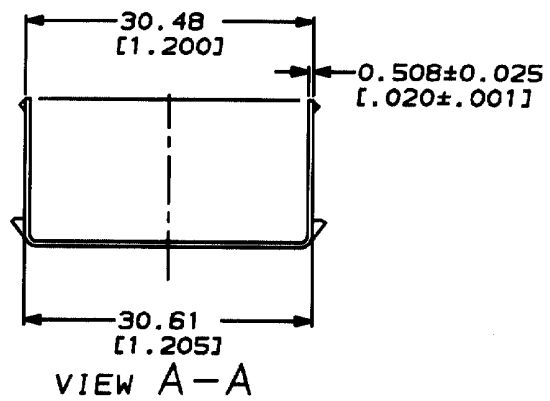
DRAWING MADE IN THIRD ANGLE PROJECTION

THIS DRAWING IS UNPUBLISHED. RELEASED FOR PUBLICATION
 © COPYRIGHT 19 BY AMP INCORPORATED. ALL INTERNATIONAL RIGHTS RESERVED.

LOC		DIST		REVISIONS				
AF	50	P	F	ZONE	LTR	DESCRIPTION	DATE	APPD
				B		RELEASE PER FASR, REV PER 0030-93	3/3/93	PF/DD



- 1 DIMENSIONS TO BE CHECKED WHEN SIDES ARE PARALLEL WITH 30.61 [1.205] DIMENSION.
- 2 30.61 [1.205] DIMENSION TO BE HELD IN THIS AREA.
- 3 30.48 [1.200] DIMENSION TO BE HELD IN THIS AREA.
- 4 FOR #10-32 MACHINE SCREW.
- 5 STAMP X 3.18 [0.125] HIGH LOCATED APPROX AS SHOWN.



DO NOT SCALE PRINT. UNLESS SPECIFIED DIMENSIONS IN mm (INCHES) TOLERANCES ON: 2 PL DEC ± 0.25 (0.10) 3 PL DEC ± - ANGLES ± -		DR 4/27/92 P FURNEY CHK 4/27/92 JR M/T APPD 4/27/92 D GROSS APPD 4/27/92 R BEATILL	520985-1 PART NO	
MATERIAL 1/4 HARD STAINLESS STEEL		AMP AMP Incorporated Harrisburg, PA 17105-3608		
FINISH		NAME CLIP, HEAVY DUTY BURNER CONNECTOR		
APPLICATION SPEC		SIZE B	CAGE CODE 00779	DRAWING NO 520985
WEIGHT		SCALE 2:1		SHEET 1 OF 1