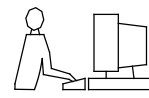
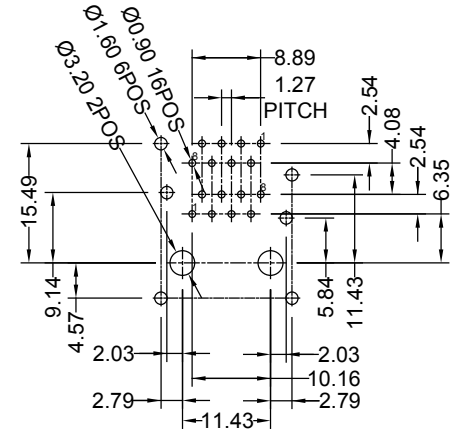
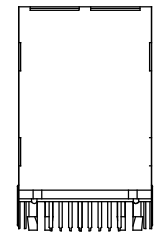
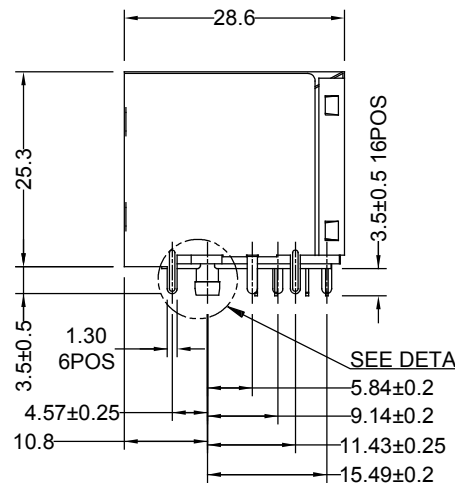
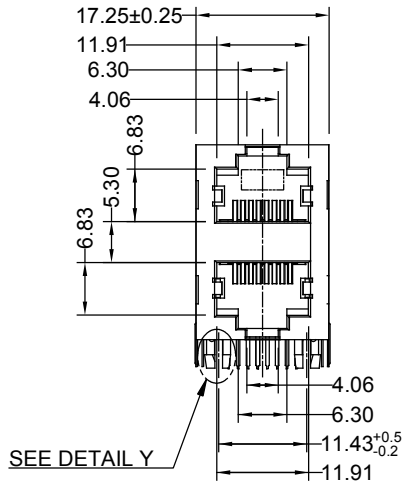
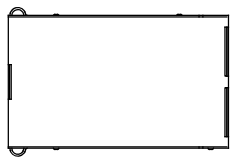


TOLERANCE UNLESS OTHERWISE SPECIFIED	
.X	±0.25
.XX	±0.13
.XXX	±0.05

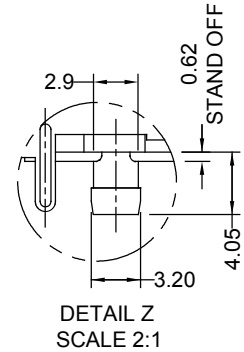
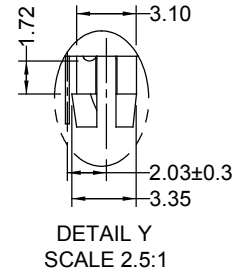
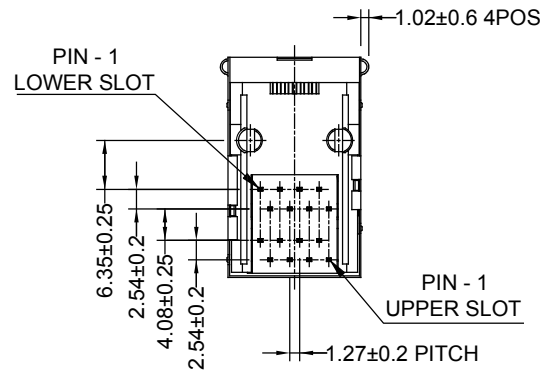
THIS IS A C.A.D. GENERATED DRAWING
DO NOT MAKE MANUAL REVISIONS TO MASTER.



ISSUE NUMBER	(1)
ORIGINAL	(1)
METRIC UPDATE	(4)
C.B FEB. 23/2017	



RECOMMENDED P.C.B LAYOUT
RECOMMENDED P.C.B THICKNESS: 1.6mm
TOLERANCE: ±0.05mm



NOTES:
MATERIALS:
CONTACT: PHOSPHOR BRONZE, GOLD FLASH ON CONTACT AND SOLDER AREA, ALL OVER 50µ" NICKEL UNDER-PLATING
HOUSING: PBT +GF, BLACK COLOUR, UL94V-0
SHELL: BRASS, NICKEL PLATING



THIS SERIES FULLY CONFORMS TO THE EUROPEAN UNION DIRECTIVES 2011/65/EU FOR RoHS COMPLIANCY.

2X8P FULL SHIELDED JACKS		ACAD REFERENCE NO.: A00-216-272-450	
		DRAWN: F.BRIONES	DATE: AUG. 12/2004
EDAC YOUR CONNECTION TO QUALITY & SERVICE		CHECKED:	DATE:
		SCALE: (IN C.A.D. 1:1)	SHEET 1 OF 1
EDAC INC TORONTO, ONTARIO CANADA THESE DRAWINGS AND SPECIFICATIONS ARE THE PROPERTY OF EDAC INC., AND SHALL NOT BE REPRODUCED, OR COPIED OR USED AS THE BASIS FOR THE MANUFACTURE OR SALE OF APPARATUS WITHOUT WRITTEN PERMISSION.		DRAWING NUMBER: A00-216-272-450	ISSUE 4
		PART NUMBER: A00-216-272-450	