

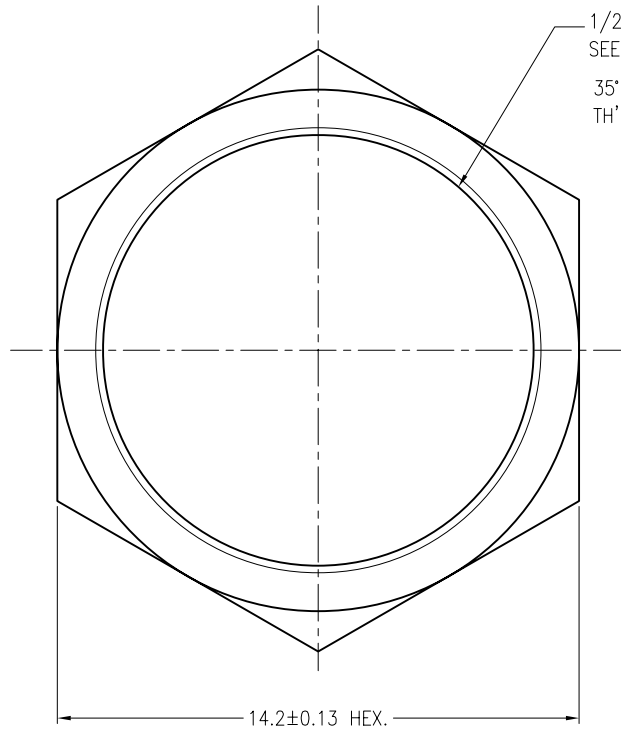
NOTES:

- MATERIALS AND FINISHES(PLATING THICKNESS IN MICRO-INCHES):
HEX NUT - BRASS, NICKEL PL. 100 MIN.THICK OVER COPPER STRIKE
- BULKPACK 100 PCS.PER POLY BAG.MARK BAG "31-5652 QTY 100"

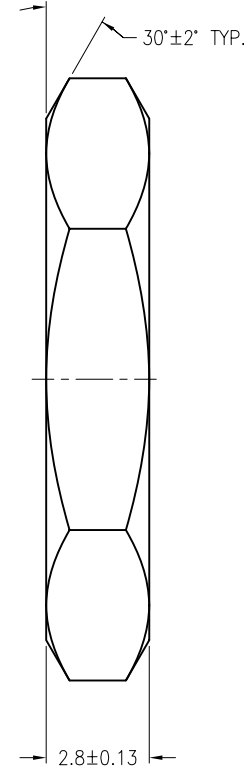
THIRD ANGLE PROJ.

REVISIONS

REV	DESCRIPTION	DATE	ECO	APPR
A	RELEASE TO MFG.	01-Nov-05		LIGHTER
B	REDRAWN TO UPDATE FORMAT AND ADDED NOTES	25-Nov-09		SCOTT



1/2-28UNEF-2B A.P.
SEE ST-300-1 FOR BEFORE PLATE DIMS.
35° CHAMFER TO MAX. DIA. OF FIRST TH'D. TYP. BOTH SIDES



CUSTOMER OUTLINE DRAWING

ALL OTHER SHEETS ARE FOR INTERNAL USE ONLY

UNLESS OTHERWISE SPECIFIED, DIMENSIONS ARE IN METRIC AND TOLERANCES ARE: 0.5 - 6mm ±0.1mm 6 - 30mm ±0.2mm 30 - 120mm ± 0.3mm ANGLES ±1°	MATERIAL	DRAWN M.ZHANG	DATE 24-Nov-09	TITLE HEX NUT 1/2-28 100 PC BULKPACK		Amphenol RF Danbury CT USA, Tainan Taiwan, Shenzhen China www.amphenolrf.com	
	REFERENCE 外調品 EAR 963493-0 SIMILAR TO 31-10494	ENGINEER S.HSIEH	DATE 01-Nov-05	APPROVED S.HSIEH	DATE 24-Nov-09	SCALE: 5/1	SHEET 1 OF 1
NOTICE - These drawings, specifications, or other data (1) are, and remain the property of Amphenol Corp. (2) must be returned upon request; and (3) are confidential and not to be disclosed to any person other than those to whom they are given by Amphenol Corp. The furnishing of these drawings, specifications, or other data by Amphenol Corp., or to any other person to anyone for any purpose is not to be regarded by implication or otherwise in any manner licensing, granting rights or permitting such holder or any other person to manufacture, use or sell any product, process or design, patented or otherwise, that may in any way be related to or disclosed by said drawings, specifications, or other data.	FINISH	CAD FILE F:\DWG\CNPD\31\5652-BSZ		DWG SIZE B	CODE ID 74868	REV B	ITEM NO. 31-5652