

Directive 2002/95/EC
"RoHS"
Compliant

NOTES:

- METALSHELLS: STEEL; min. 315µm TIN over 40-80µm NICKEL
- INSULATORS: PBT GF UL 94 V-0, BLACK
- CONTACTS: COPPER ALLOY
PLATING: 8µm HARD GOLD over min. 50µm NICKEL
- METAL BRACKET: ZINC DIE CAST; 300µm COPPER/40-120µm NICKEL/120-200µm TIN
- THREADED LOCK: COPPER ALLOY; min. 200µm TIN over 80µm NICKEL
- FIXING PLATE: PBT GF UL 94 V-0, BLACK
- PCB-SNAP: COPPER ALLOY; min. 200µm TIN over 80µm NICKEL
PCB-HOLE: ø3,1±0,1mm; PCB-THICKNESS: 1,6mm
- P.C.B. HOLE DRILLINGS ON SHEET 2
- MAXIMUM TORQUE VALUE FOR THREAD: 6 in.LB
- CONNECTOR IS PART MARKED: 164A20099X CONEC ABC

APPROVAL # FREIGABE # DEBLOCAGE # AUTORIZACION # APPROVAL	
CUSTOMER APPROVAL DATE:	
NAME:	TITLE:
COMPANY NAME:	
APPROVAL # FREIGABE # DEBLOCAGE # AUTORIZACION # APPROVAL	

THIS DRAWING MAY NOT BE COPIED OR REPRODUCED IN ANY WAY, AND MAY NOT BE PASSED ON TO A THIRD PARTY WITHOUT WRITTEN PERMISSION. OWNERSHIP AND COPYRIGHT OF CONEC GmbH			
DO NOT ALTER CAD DRAWING BY HAND			
rev.	description	date	name
a	Origin		

tolerance	
dim. in mm	
date	name
drawn	29.09.08 Lehmenkühler
appd.	29.09.08 Mickenbecker
norm	DIN 41652
d-old	

scale:	2:1	
material:	SEE NOTES	
title:	D-SUB DUAL PORT 19.05mm 25pos. FEMALE / 25pos. FEMALE with threaded lock and snap	
dwg no:	Inventor	DIN-A3
	16K1A2369	sh: 1
part no:	164A20099X	



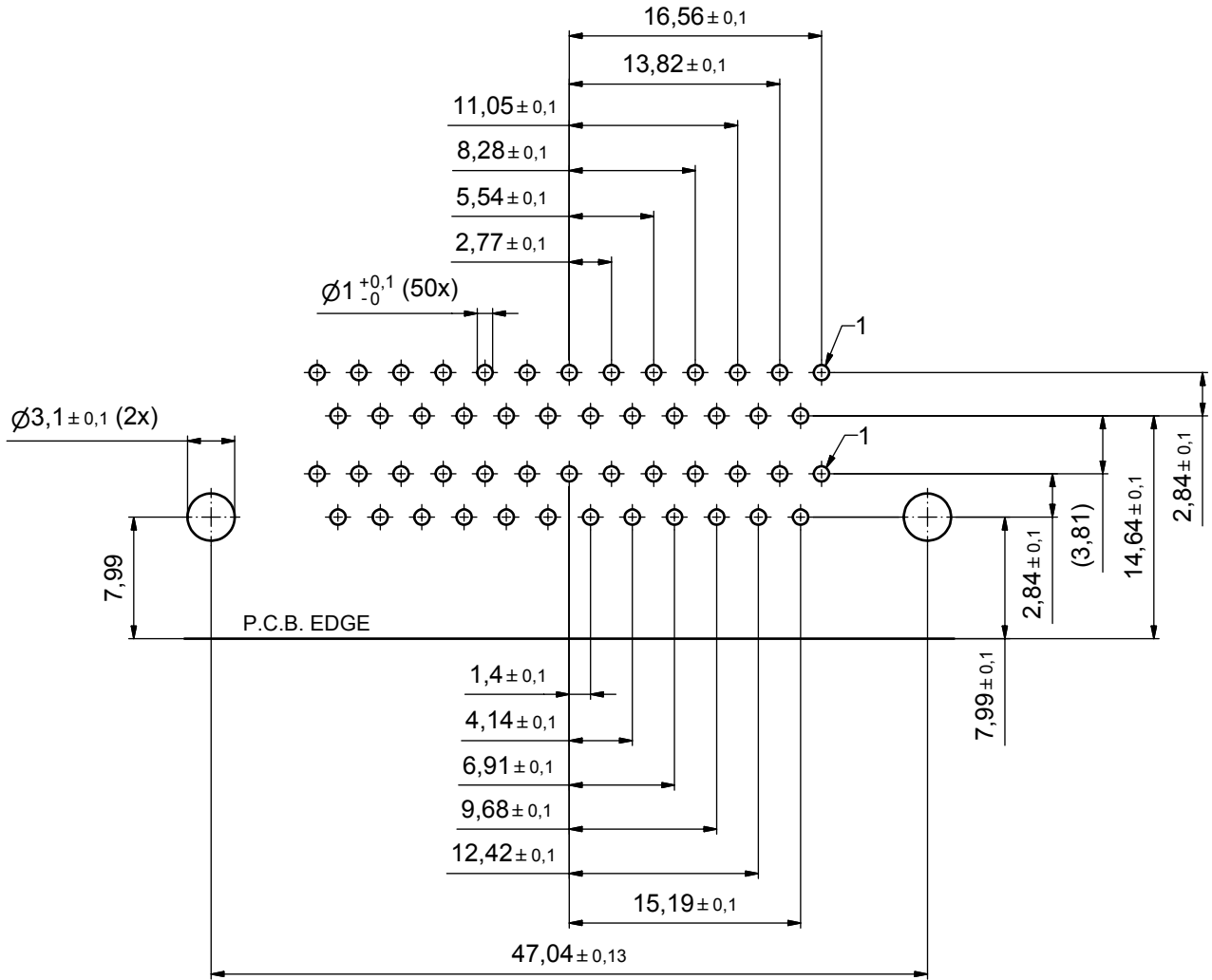
F E D C B A

D

C

B

A



A

B

A

APPROVAL # FREIGABE # DEBLOCAGE # AUTORIZACION # APPROVAL	
CUSTOMER APPROVAL DATE:	
NAME:	TITLE:
COMPANY NAME:	
APPROVAL # FREIGABE # DEBLOCAGE # AUTORIZACION # APPROVAL	

THIS DRAWING MAY NOT BE COPIED OR REPRODUCED IN ANY WAY, AND MAY NOT BE PASSED ON TO A THIRD PARTY WITHOUT WRITTEN PERMISSION. OWNERSHIP AND COPYRIGHT OF CONEC GmbH				tolerance		dim. in mm
				DO NOT ALTER CAD DRAWING BY HAND		
rev.	description	date	name	drawn	date	name
a	Origin			29.09.08	29.09.08	Lehmenkühler
				appd.		Mickenbecker
				norm		
				d-old		

scale: 3:1	
material: SEE SHEET 1	
title: P.C.B. HOLE DRILLINGS D-SUB DUAL PORT 19.05 mm 25pos. FEMALE / 25pos. FEMALE	
dwg no:	Inventor
16K1A2369	
part no:	SEE SHEET 1
DIN-A3	sh: 2

