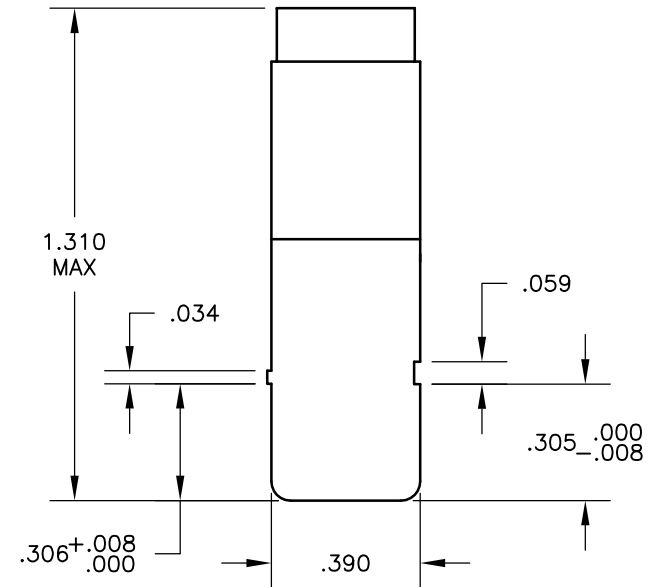
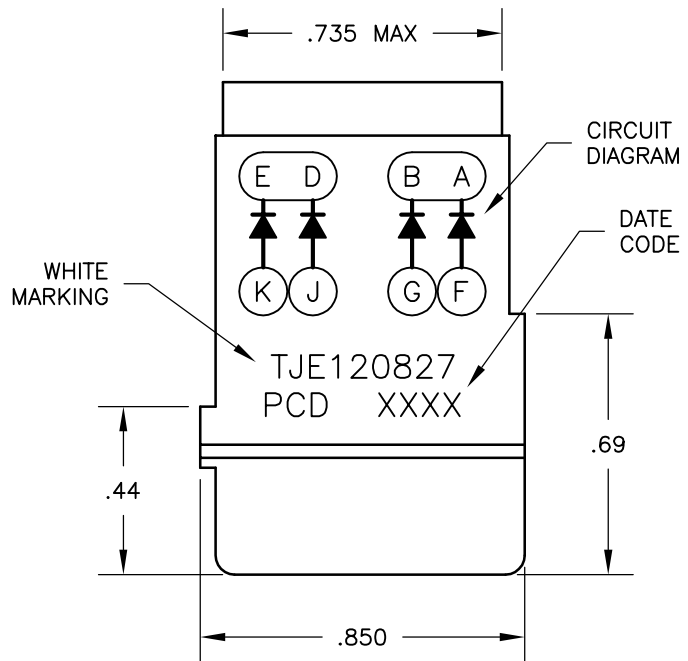
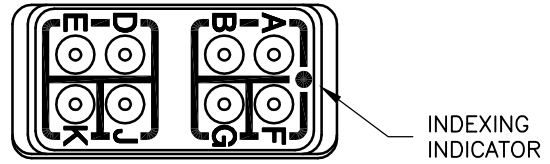


|     |     |       |
|-----|-----|-------|
| REV | ECN | APP'D |
| 1   |     |       |

NOTES:

- MATERIALS:  
 HOUSING — POLYETHERIMIDE, COLOR: BLACK.  
 GROMMET — SILICONE ELASTOMER, COLOR: BLUE  
 DIODE — JANTX1N5552, QTY 4.
- MODULE SUPPLIED WITH 11 PIN CONTACTS, M39029/1-101.



|   |  |                |                                  |  |             |   |                 |
|---|--|----------------|----------------------------------|--|-------------|---|-----------------|
| DIMENSIONS<br>ANSI Y14.5M<br>UNITS: INCHES<br>ACAD FILE | TOLERANCES<br>.XX ±.01<br>.XXX ±.005<br>ANGLES ±2°   | PROJECTION<br> | <b>SPECIFICATION<br/>DRAWING</b> |  |             | TITLE<br>ELECTRONIC MODULE<br>DIODE, JANTX1N5552<br>SIZE-20 |                 |
|   |  |                | ENGR<br>A. PATRIE 5/8/01         |  |             |   |                 |
| ORIGINAL  | THIS DOCUMENT CONTAINS<br>PROPRIETARY INFORMATION WHICH<br>IS THE CONFIDENTIAL PROPERTY<br>OF PCD, INC. PEABODY, MA, USA |                | CHKD                             |  | SIZE<br>A   | DWG NO.<br><b>TJE120827</b>                                 | REV<br><b>1</b> |
|   |  |                | APPD                             |  | CODE: 58982 | SCALE: 2X   | SHEET 1 OF 1    |