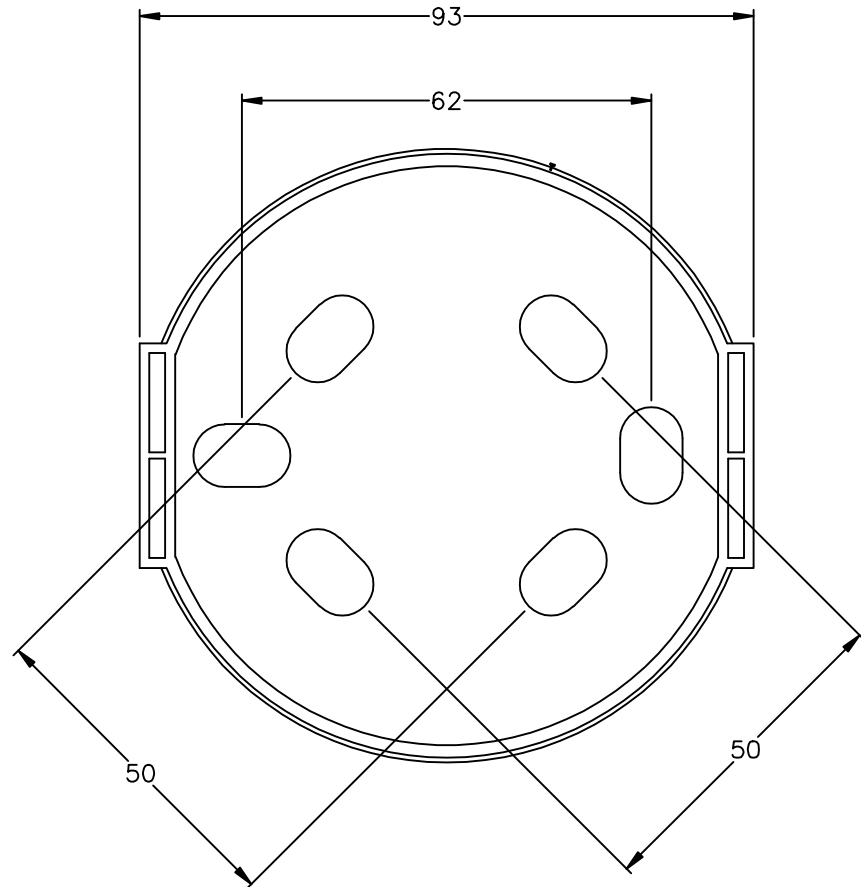
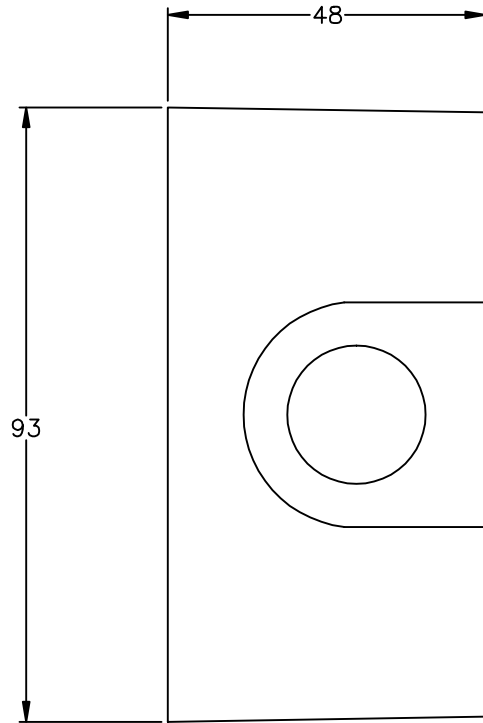



THIS DOCUMENT CONTAINS DATA PROPRIETARY TO PROJECTS UNLIMITED, INC. ANY USE OR REPRODUCTION, IN ANY FORM, WITHOUT PRIOR WRITTEN PERMISSION OF PROJECTS UNLIMITED, INC. IS PROHIBITED.
 ©2005, Projects Unlimited Inc.

REVISIONS			
LTR	DESCRIPTION	DATE	APPROVED
-	RELEASED FROM ENGINEERING	1/15/07	



NOTES:

1. ALL DIMENSIONS ARE IN MILLIMETERS.
2. SPECIFICATION SUBJECT TO CHANGE OR WITHDRAWAL WITHOUT NOTICE.

UNLESS OTHERWISE SPECIFIED: DIMENSIONS ARE IN MILLIMETERS, TOLERANCES ARE ±0.5 AND ANGLES ARE ±3°.		 projects® unlimited Dayton, Ohio									
<table border="1"> <thead> <tr> <th>APPROVALS</th> <th>DATE</th> </tr> </thead> <tbody> <tr> <td>DRAWN <i>J.D.</i></td> <td>1/07</td> </tr> <tr> <td>CHECKED <i>D.F.</i></td> <td>1/07</td> </tr> <tr> <td>APPROVED <i>B.R.</i></td> <td>1/07</td> </tr> </tbody> </table>		APPROVALS	DATE	DRAWN <i>J.D.</i>	1/07	CHECKED <i>D.F.</i>	1/07	APPROVED <i>B.R.</i>	1/07	<h1>DEEP BASE</h1>	
APPROVALS	DATE										
DRAWN <i>J.D.</i>	1/07										
CHECKED <i>D.F.</i>	1/07										
APPROVED <i>B.R.</i>	1/07										
FILE NAME AWA-DBR.dwg		SIZE A	DRAWING NO. AWA-DBR								
DO NOT SCALE DRAWING		SCALE: N.T.S.	SHEET 1 OF 1								