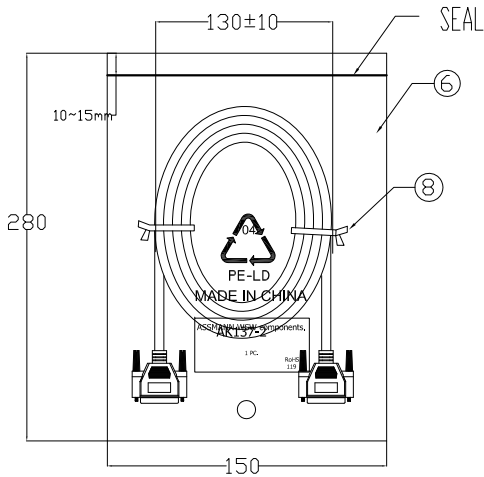


① PIN ASSIGNMENT

P1	P2
1	1
2	2
3	3
4	4
5	5
6	6
7	7
8	8
9	9
10	10
11	11
12	12
13	13
14	14
15	15
16	16
17	17
18	18
19	19
20	20
21	21
22	22
23	23
24	24
25	25
SHELL	SHELL



Electrical test:
 1.100% short,open,miswire test
 2.Conduct resistance:5 Ohm(max)
 3.Insulation resistance:10Mohm(min)
 4.dielectric test:DC 300V

NO.	NAME	Q'TY	SPECIFICATION
⑧	TIE	2	WHITE L=80mm
⑦	PE BAG	1/10	CLEAR SIZE: 360*380*0.05mm PRINT BLACK"MADE IN CHINA"+"10PCS".
⑥	PE BAG	1	CLEAR SIZE: 150*280*0.05mm PRINT BLACK"MADE IN CHINA".
⑤	TUBE	2	HEAT SHRINK TUBE BLACK OD1.5*20MM
④	SCREW	4	#4-40UNC TYPE L=30mm,NICKEL PLATED,MOLD:BEIGE(IV-29) ABS
③	IN JACKET	18g	CLEAR LD-PE (Mould NO.:NM-33)
	OUT JACKET	60g	BEIGE(IV-29) 40P PVC(Mould NO.WM-017)
②	CONN	2	DB 25P MALE SODER TYPE PIN G/F SHELL NI-PLATED INSULATOR COLOR:BLUE
①	CABLE	1	NOUL 28AWG*25C+D+AL/MY OD6.5mm JACKET BEIGE(IV-29) L=2000±10MM
NO.	NAME	Q'TY	SPECIFICATION

RoHS compliant
Unit: mm

Scale	Free					Date	Name	Customer-No.
TOLERANCE						Drawn	20.02.2017	Amy
						Approved	31.08.2017	Fred
DIM	TOL	①	Delete the Wire color of pin assignment	31.08.2017	Fred			
		②	Drawn	20.02.2017	Amy			
Angle	TOL	Id.	Modification	Date	Name	Replace		Sheet

ASSMANN WSW-No.		AK137-2	
Drawing-No.		ASS 7855 CA	
Replace		rev01	
		Sheet	

A	1	2	3	4	5	6	7	A
B								B
C								C
D								D
E								E
F								F
G								G
H								H
	1	2	3	4	5	6	7	