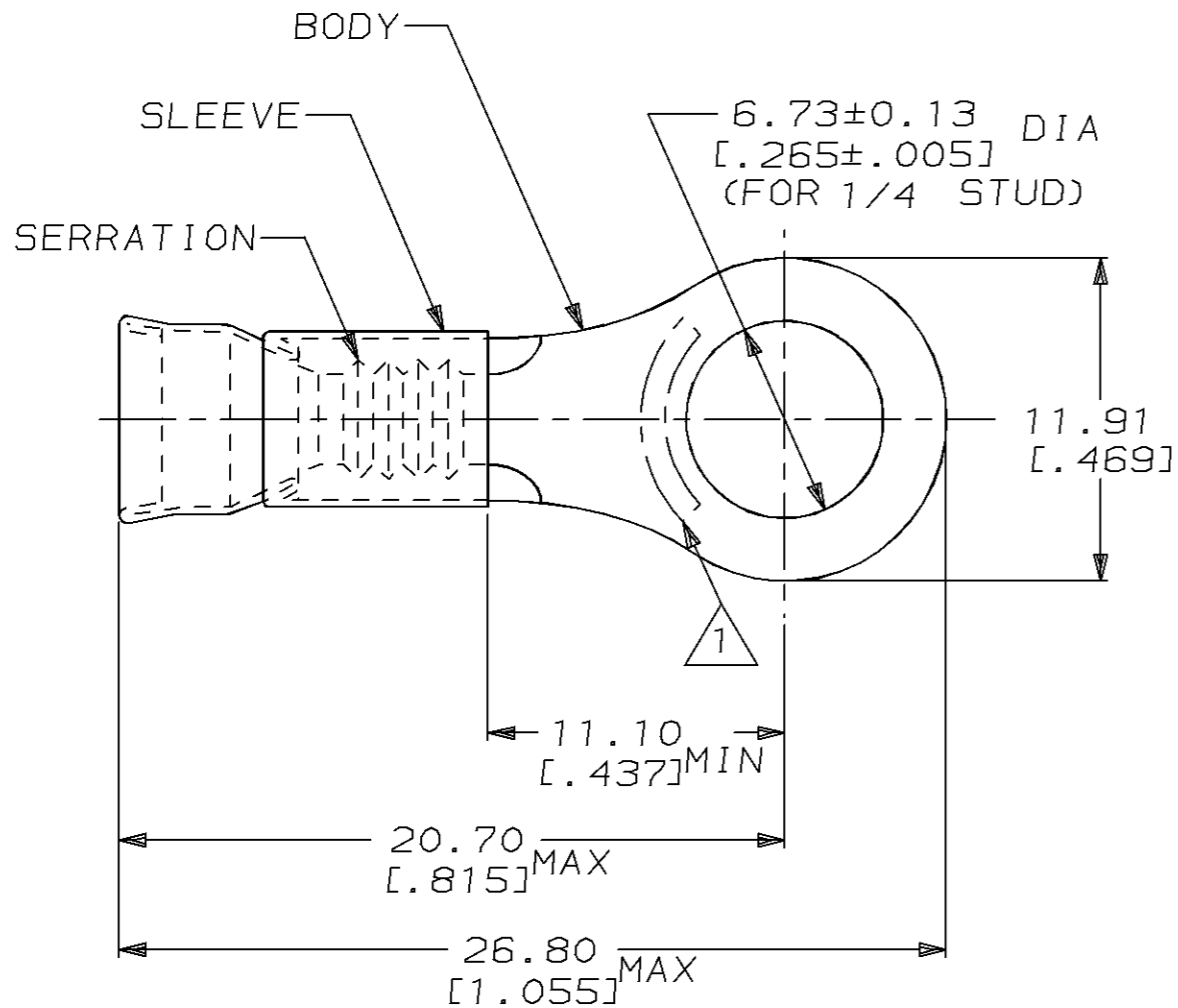


THIS DRAWING IS UNPUBLISHED. RELEASED FOR PUBLICATION ,19 .
 © COPYRIGHT 19 BY AMP INCORPORATED. ALL RIGHTS RESERVED.

| LOC | DIST | REVISIONS | | | |
|-----|------|-------------|--------------------|---------|-------|
| P | LTR | DESCRIPTION | DATE | DWN | APVD |
| G | 14 | F | REV / 0L20-0040-96 | 06JAN97 | ME TM |



△ STAMP AMP 16-14* APPROX AS SHOWN

- WIRE INSUL DIA, 2.03-3.30 [$.080-.130$]
- TONGUE MATL THK, 0.79±0.05 [$.031 \pm .002$]

| | | |
|------|--------------|---------|
| 1000 | LOOSE PIECE | 323162 |
| QTY | PACKAGE TYPE | PART NO |

| | | | | | | |
|--|--|--|--|--|----------------------------|---|
| AMP INCORPORATED CUSTOMER SERVICE SYSTEM | | MAX RECOMMENDED OPERATING TEMPERATURE: 343°C [650°F] | THIS DRAWING IS A CONTROLLED DOCUMENT FOR AMP INCORPORATED. IT IS SUBJECT TO CHANGE AND THE CONTROLLING ENGINEERING ORGANIZATION SHOULD BE CONTACTED FOR THE LATEST REVISION. | | DWN L OLMEDA 100CT94 | AMP Incorporated Harrisburg, PA 17105-3608 |
| FOR ADDITIONAL PRODUCT INFORMATION OR COPIES OF DRAWINGS AND TECHNICAL DOCUMENTS | PRODUCT INFORMATION CENTER 1-800-522-6752 | | DIMENSIONS: mm [in] | TOLERANCES UNLESS OTHERWISE SPECIFIED: | CHK M ELLIS 100CT94 | |
| FOR APPLICATION TOOLING INFORMATION | TOOLING ASSISTANCE CENTER 1-800-722-1111 | VOLTAGE RATING: - | 0 PLC ±- 1 PLC ±- 2 PLC ±0.20 [.008] 3 PLC ±- 4 PLC ±- ANGLES ±- | PRODUCT SPEC - | APPLICATION SPEC - | SIZE A3 |
| FOR ORDER ENTRY | 1-800-526-5142 | CIRCULAR MIL AREA: 1.04mm ² -2.62mm ² [2050-5180] | MATERIAL BODY, CU PER ASTM B152 SLEEVE, NI SIL PER ASTM B122 | FINISH BODY, NP, QQ-N-290 | WEIGHT - | CAGE CODE 00779 |
| | | STRANDED WIRE | CUSTOMER DRAWING | | DRAWING NO C=323162 | SCALE 4:1 |
| | | | | | SHEET 1 OF 1 | REV F |