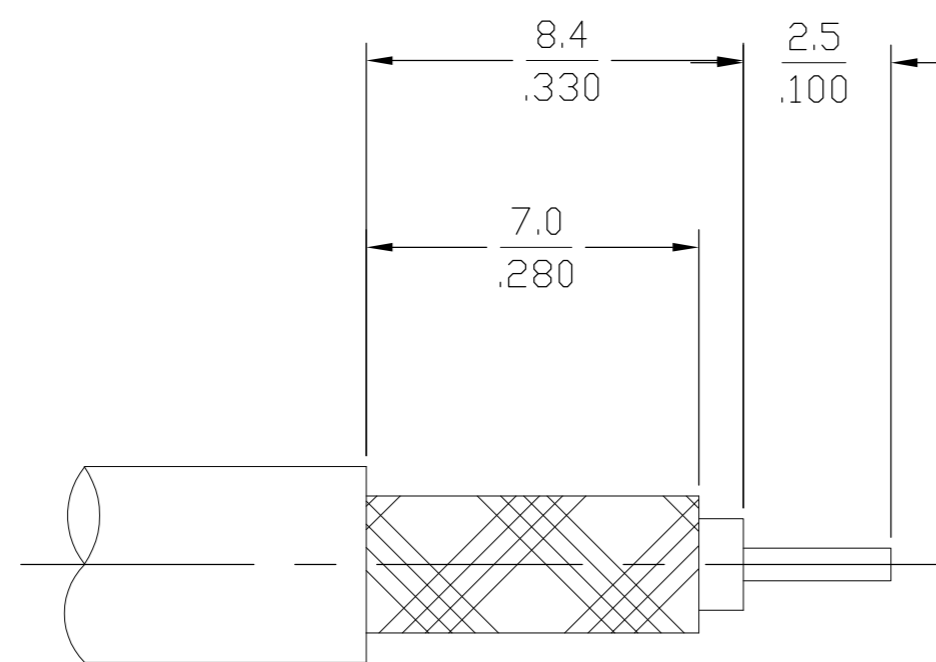
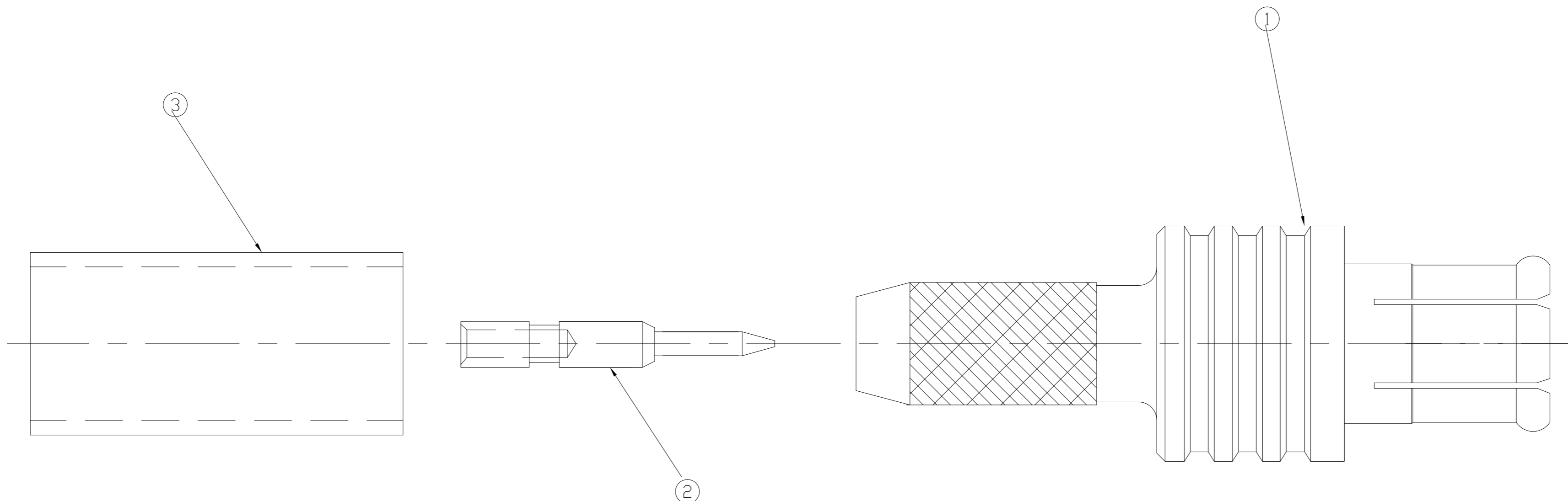


THIS DRAWING IS UNPUBLISHED. RELEASED FOR PUBLICATION
 © COPYRIGHT BY TYCO ELECTRONICS CORPORATION. ALL RIGHTS RESERVED.

LOC	DIST	REVISIONS			
P	LTR	DESCRIPTION	DATE	DWN	APVD
AJ	00				
	C	REV PER ECO 08-007172	26MAR2008	DW	JL



RECOMMENDED STRIP LENGTH

1. FOR USE WITH RG-174/U, RG-188/U & RG-316/U CABLE.

RG316/U	2-413889-4	1408060-2	1408063-2	1060872-1
CABLE SIZE	FERRULE (3) QTY=1	CONTACT (2) QTY=1	PLUG ASSEMBLY (1) QTY=1	PART NUMBER

THIS DRAWING IS A CONTROLLED DOCUMENT.		DWN —	05APR2007	Tyco Electronics Corporation Harrisburg, PA 17105-3608	
DIMENSIONS: INCHES		CHK —	APVD —	NAME	
TOLERANCES UNLESS OTHERWISE SPECIFIED:		PRODUCT SPEC		MCX CABLE PLUG CRIMP ATTACHMENT-NICKEL PLATED	
0 PLC ± -		APPLICATION SPEC		SIZE	
1 PLC ± -		408-10131		CAGE CODE	
2 PLC ± -		WEIGHT		DRAWING NO	
3 PLC ± -		CUSTOMER DRAWING		A2 00779 C=1060872	
4 PLC ± -		SCALE		RESTRICTED TO	
ANGLES ± -		10:1		—	
FINISH		SHEET		REV	
-		1 of 1		C	