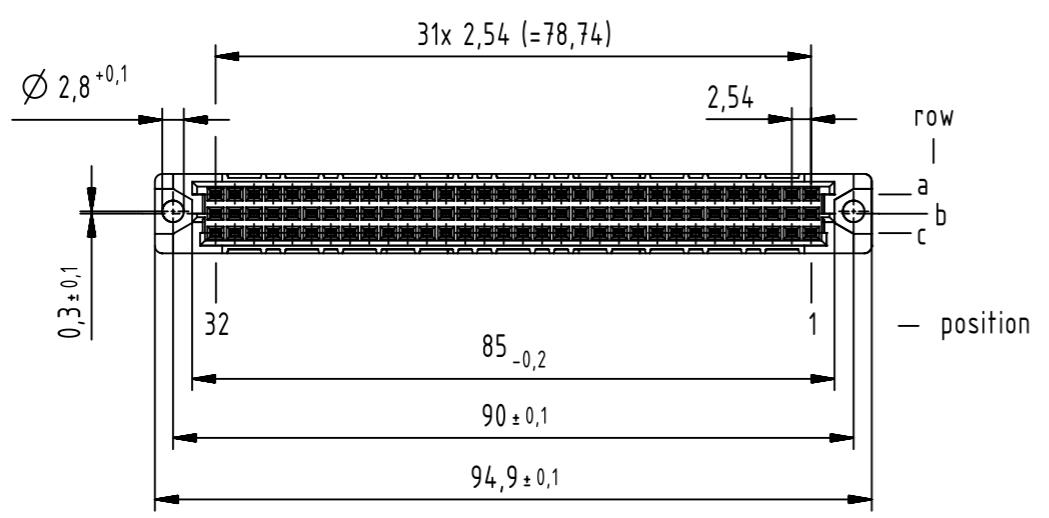
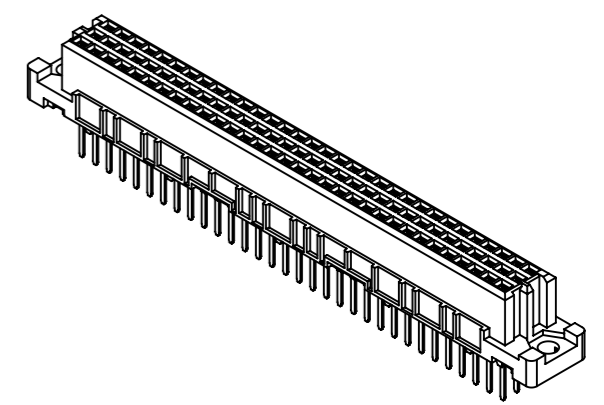
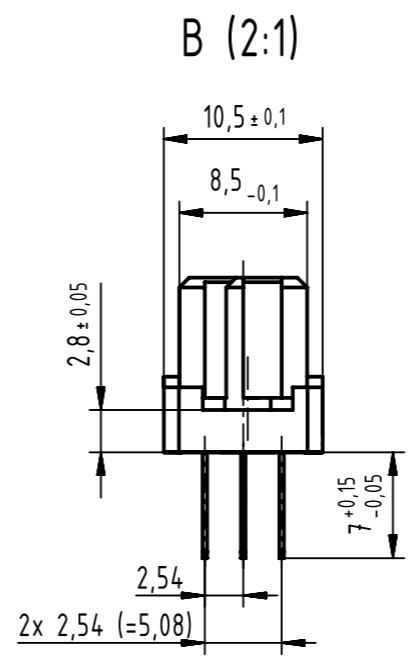
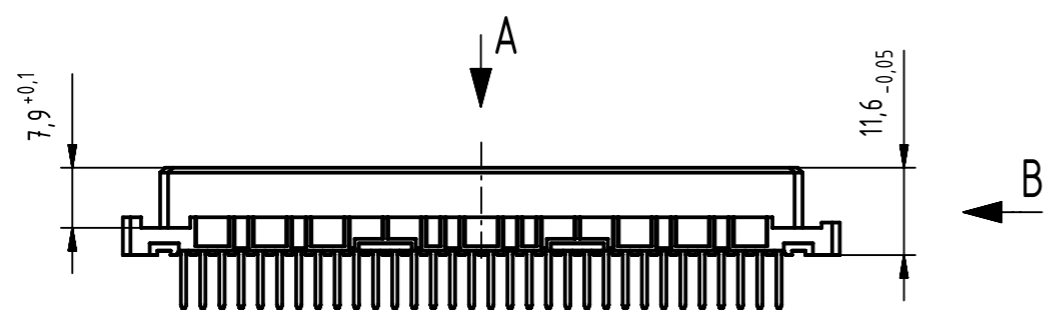


96 solder contacts

☒ = position with contact

☐ = position without contact



① further information see: DS 09032130203

09 03 296 6876	2
part-no	performance level ①

	All rights reserved	Created by HAGEMEYERE	Inspected by LEHNERT	Standardisation HOFFMANN	Date 2015-06-24	State Final Release
	Department EC PD - DE	Title DIN Signal type C female solder 7.0 CTI>400				Doc-Key / ECM-Nr. 100173852/UGD/256/E 50000090443
HARTING Electronics GmbH D-32339 Espelkamp		Type TB	Number 0903296X876		Rev. E	Page 1/1