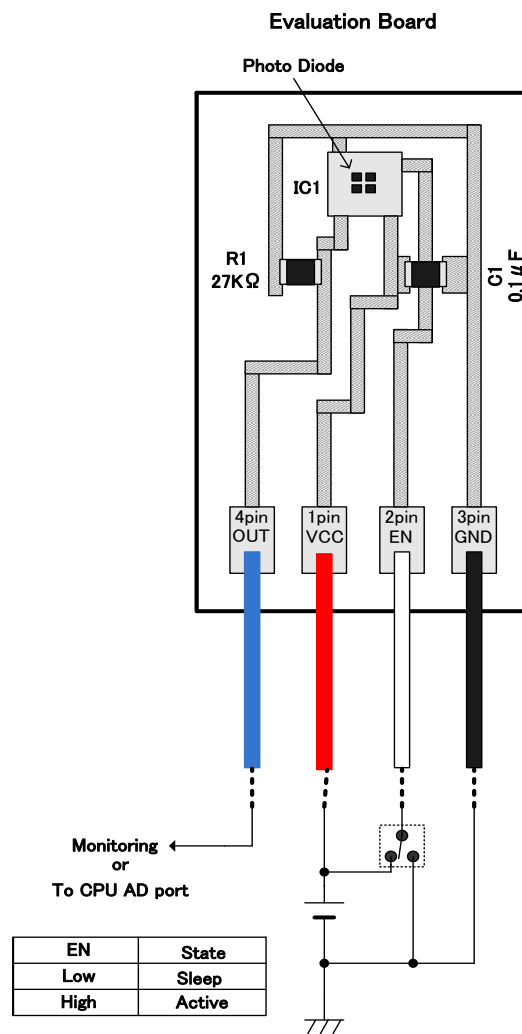
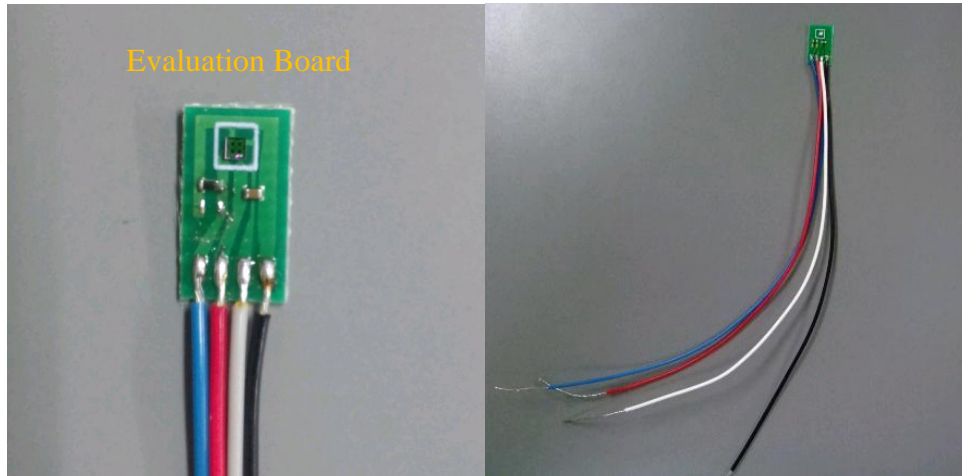
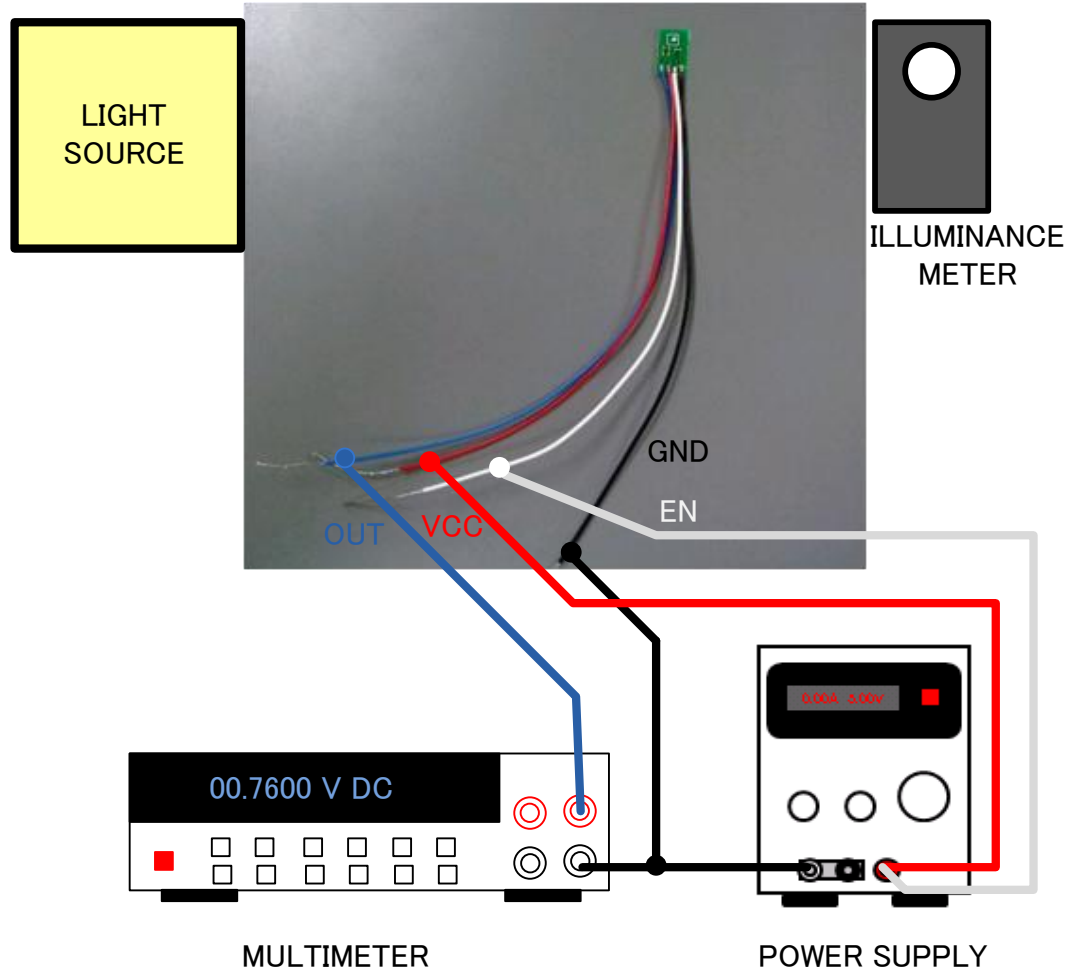


## Test Procedure for the LV0111CFGEVB Evaluation Board





#### Test Procedure:

1. Connect the test setup as shown above.
2. Connect IC power supply (2.3V to 5.5V) between VCC and GND.
3. Connect multimeter between OUT and GND.
4. Irradiate a light, and put the luminance meter near the IC.
5. Control the light source and adjust to 500 lux.
6. The OUT terminal of LV0111CF is outputted roughly at 28uA. Therefore, multimeter should show roughly 0.76V. ( $0.76V = 28\mu A \times 27k\Omega$ )

#### LV0111CF features:

- Logarithmic current output
- Low current consumption (typical 75uA)