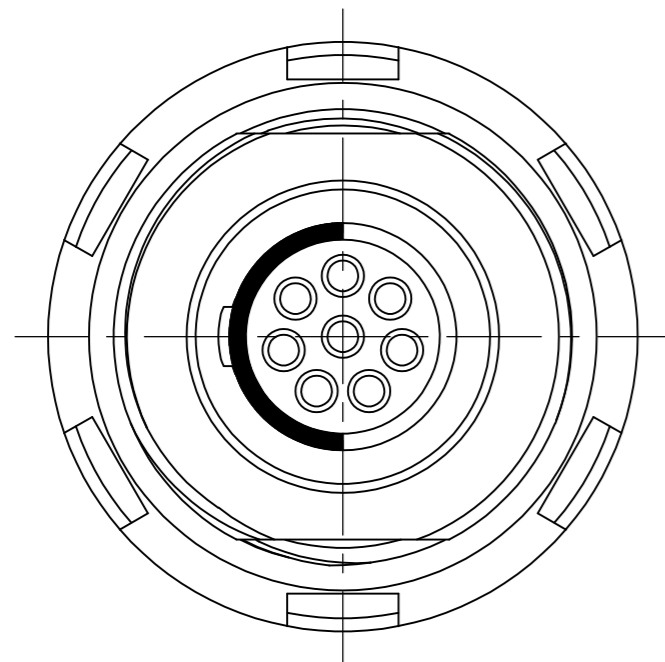
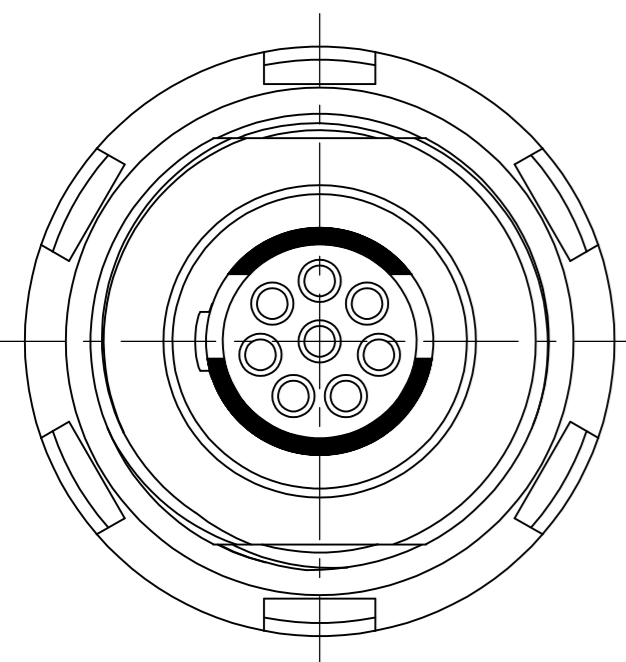
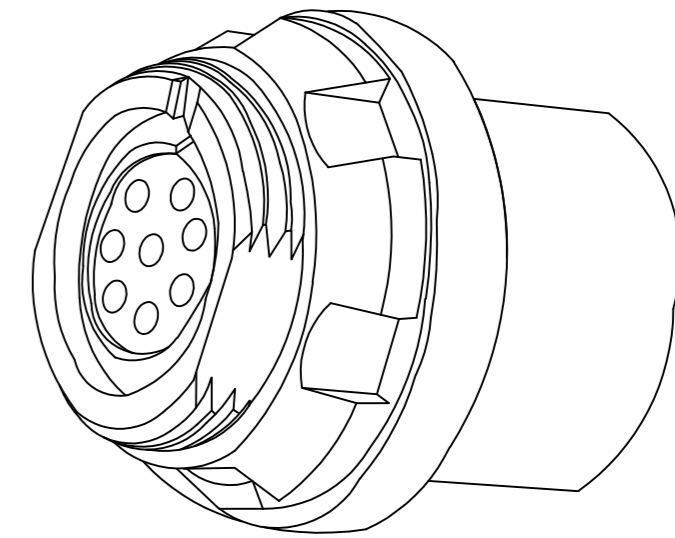
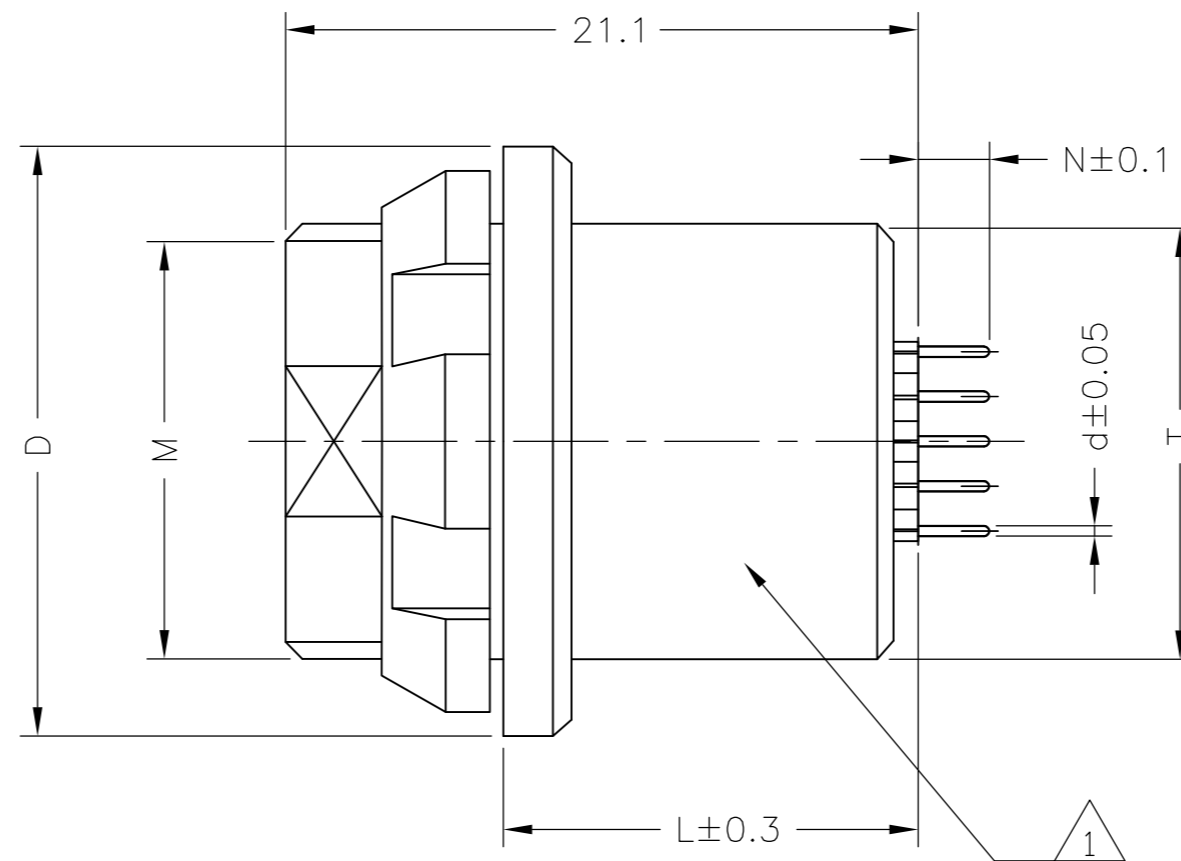


THIS DRAWING IS UNPUBLISHED. RELEASED FOR PUBLICATION
 © COPYRIGHT - By - ALL RIGHTS RESERVED.

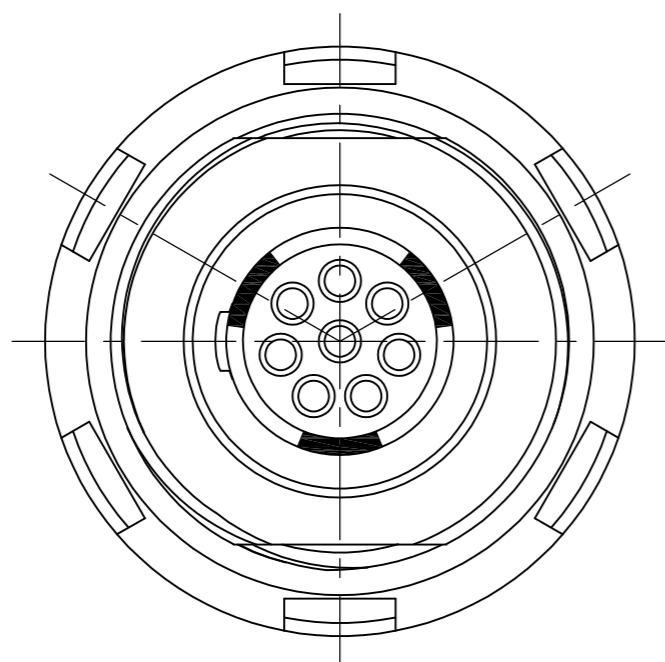
LOC		DIST		REVISIONS			
P	LTR	DESCRIPTION	DATE	DWN	APVD		
C		REVISED PER ECO 13-001843.	08FEB2013	MGM	CT		



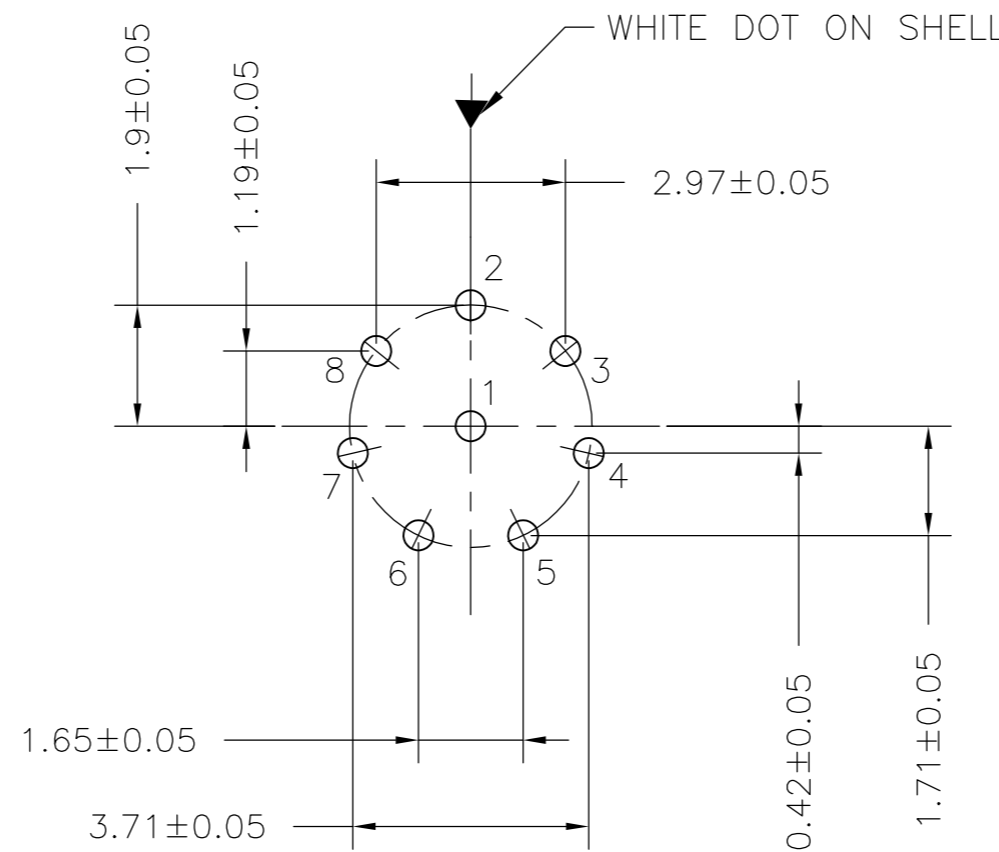
SINGLE POLARIZATION



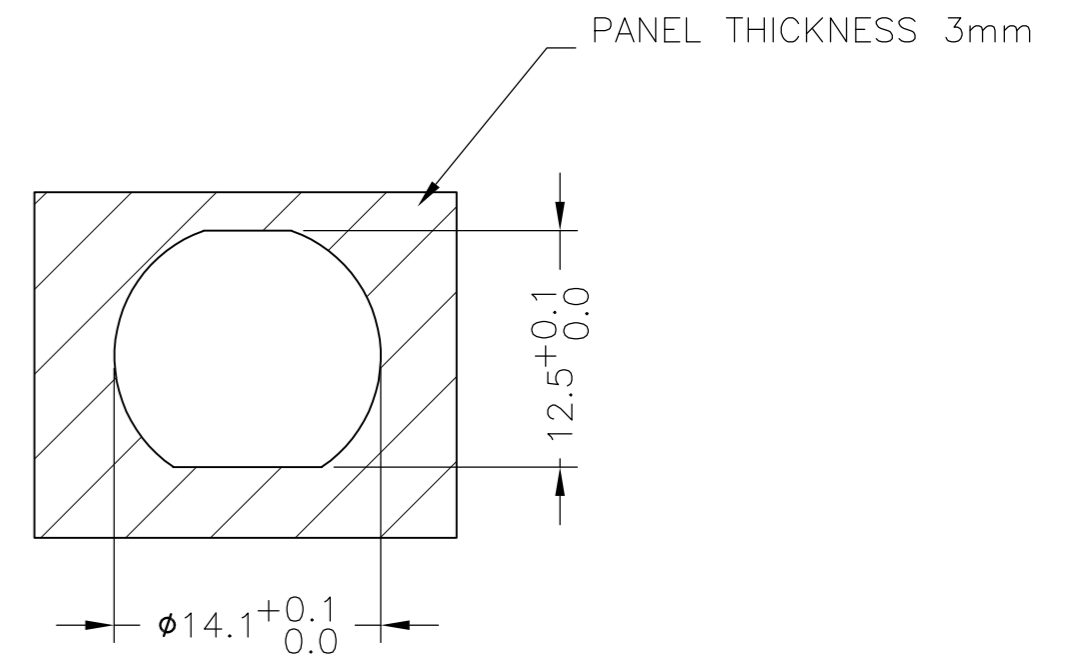
DOUBLE POLARIZATION



THREE KEY POLARIZATION



CAVITY IDENTIFICATION WHEN VIEWED FROM REAR OF CONNECTOR



PANEL CUTOUT

1 THE PART IS MARKED WITH THE TE PART NUMBER, CHINA, DATE CODE AND LOT ID.

2. DWV RATING: 725VAC @ SEA LEVEL

3. WORKING TEMPERATURE: -55°C ~ +125°C

4 MATERIAL:
 CONTACT : COPPER ALLOY
 SHELL : COPPER ALLOY
 INSULATOR : PEEK
 O RING : SILICON RUBBER

5 FINISH
 CONTACT: GOLD OVER NICKEL
 SHELL : BLACK CHROMIUM

6. WATER PROOF: 1M IMMERSION.

7 ALL TOLERANCES TO BE ±0.20MM UNLESS NOTED.

CHROMIUM-BLACK	THREE	SOLDERING	2.54	∅0.5	15.45	∅14	M14X1	∅18	2	2157375-3
CHROMIUM-BLACK	DOUBLE	SOLDERING	2.54	∅0.5	15.45	∅14	M14X1	∅18	2	2157375-2
CHROMIUM-BLACK	SINGLE	SOLDERING	2.54	∅0.5	15.45	∅14	M14X1	∅18	2	2157375-1
FINISH	POLARIZATION	TERMINATION	N	d	L	T	M THREAD	D	SHELL SIZE	TE PART NUMBER

THIS DRAWING IS A CONTROLLED DOCUMENT.		DWN C.C THOMAS 24FEB2011		NAME	
DIMENSIONS: mm		CHK R. GROSS 24FEB2011		CIRCULAR HD RECEPTACLE WITH SOCKET CONTACTS JAM NUT, FRONT MOUNTING, STRAIGHT PCB	
TOLERANCES UNLESS OTHERWISE SPECIFIED:		APVD R. GROSS 24FEB2011	PRODUCT SPEC		
0 PLC ± - 7		APPLICATION SPEC		SIZE	
1 PLC ± -		WEIGHT		CAGE CODE	
2 PLC ± 0.20		MATERIAL		DRAWING NO	
3 PLC ± -		FINISH		RESTRICTED TO	
4 PLC ± -		SCALE		SHEET	
5 ANGLES ± 3°		CUSTOMER DRAWING		1 of 1	
MATERIAL		SCALE NTS		REV C	