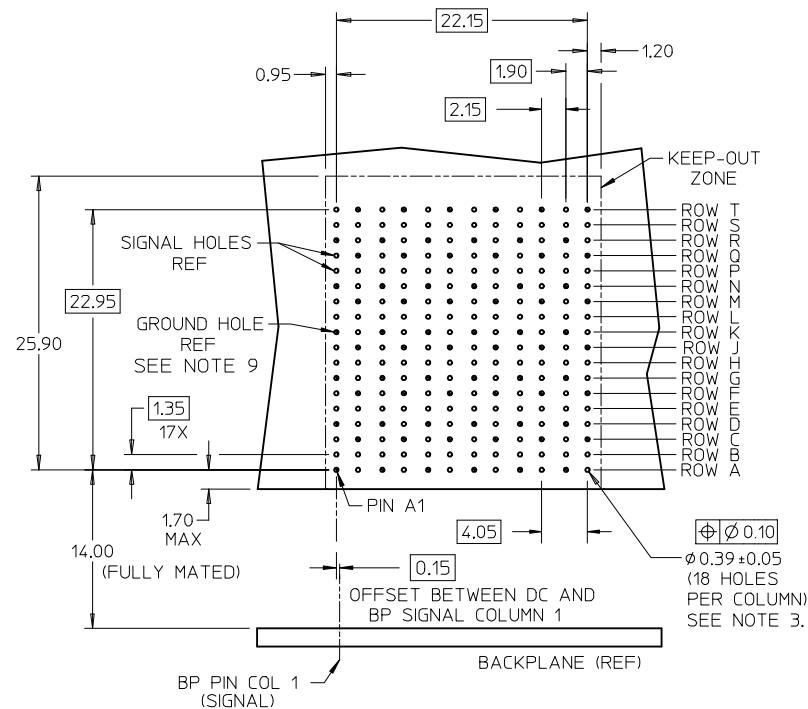
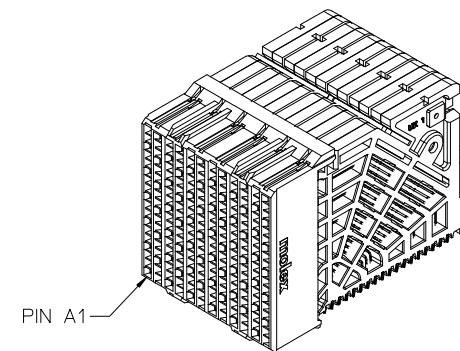
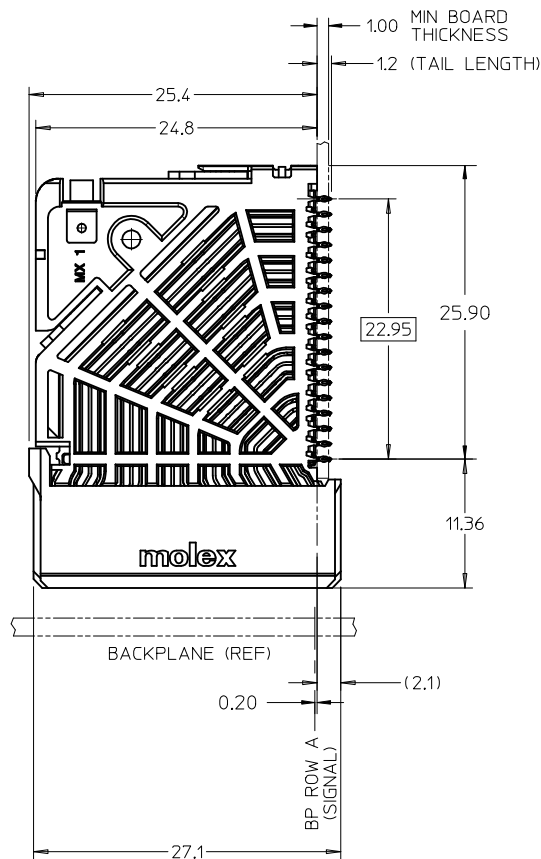
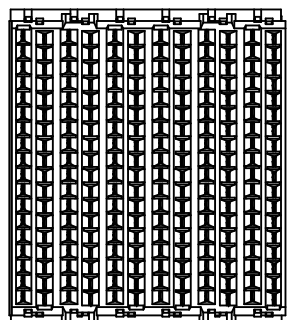
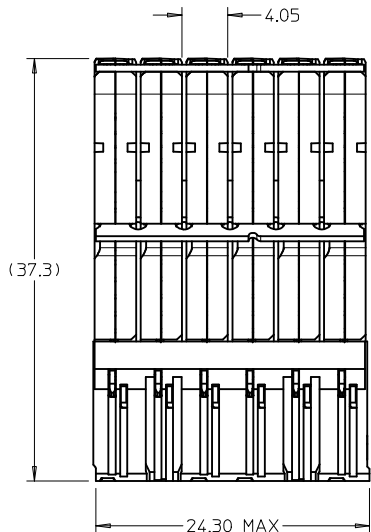


MATERIAL NUMBER	# OF COLUMNS	# OF DIFF PAIR
171420-1022	12	72



DAUGHTERCARD HOLE PATTERN
(CONNECTOR SIDE)

NOTES:

1. MATERIALS: HOUSING - LIQUID CRYSTAL POLYMER (LCP), GLASS-FILLED, UL94V-0
TERMINALS - HIGH PERFORMANCE COPPER ALLOY
2. FINISH: 30µIN MIN GOLD IN CONTACT AREA. SELECTIVE TIN ON PCB TAILS. NICKEL OVERALL.
3. REFER TO MOLEX PRODUCT SPEC PS-170540-999 FOR PERFORMANCE SPECIFICATIONS AND ADDITIONAL PCB INFORMATION.
4. EACH SIGNAL WAFER CONTAINS 2 COLUMNS OF TERMINALS.
5. PRODUCT IS PACKAGED PER PK-70873-589.
6. THIS PART CONFORMS TO CLASS B REQUIREMENTS OF COSMETIC SPEC PS-45499-002.
7. REFER TO MOLEX SALES DRAWING SD-171415-1000 FOR THE MATING HEADERS.
8. REFER TO MOLEX ROUTING GUIDE AS-76850-990 FOR ADDITIONAL PCB LAYOUT AND ROUTING RECOMMENDATIONS.
9. GROUND PATHS ARE NOT DISCRETE CIRCUITS WITHIN CONNECTOR DUE TO PRESENCE OF PLUS CLIP.
10. MINIMUM BOARD THICKNESS IS 1.00mm FOR COMPLIANT PIN FUNCTIONALITY.

PRODUCTION RELEASE EC NO: UCP2013-1941 DRWIN:TPREMO CHKD:TELO APPR:TELO	2012/11/14 2012/11/14 2012/11/15	QUALITY SYMBOLS ∇=0 ∇=0 ∇=0	GENERAL TOLERANCES (UNLESS SPECIFIED)		DIMENSION STYLE MM ONLY		SCALE 3:1	DESIGN UNITS METRIC	THIRD ANGLE PROJECTION	
			mm	INCH	DRAWN BY DROSCA	DATE 2011/12/19	TITLE IMPACT DC 6 PAIR ORTHO 85 OHM PLUS UNGUIDED SALES DRAWING molex			
			4 PLACES ± ---	± ---	CHECKED BY TELO	DATE 2011/12/19				
			3 PLACES ± ---	± ---	APPROVED BY TELO	DATE 2012/11/15	MATERIAL NO. 1714201022	DOCUMENT NO. SD-171420-1012	SHEET NO. 1 OF 1	
2 PLACES ± 0.13	± ---	DRAFT WHERE APPLICABLE MUST REMAIN WITHIN DIMENSIONS		THIS DRAWING CONTAINS INFORMATION THAT IS PROPRIETARY TO MOLEX INCORPORATED AND SHOULD NOT BE USED WITHOUT WRITTEN PERMISSION						
1 PLACE ± 0.25	± ---									
0 PLACE ±	±									