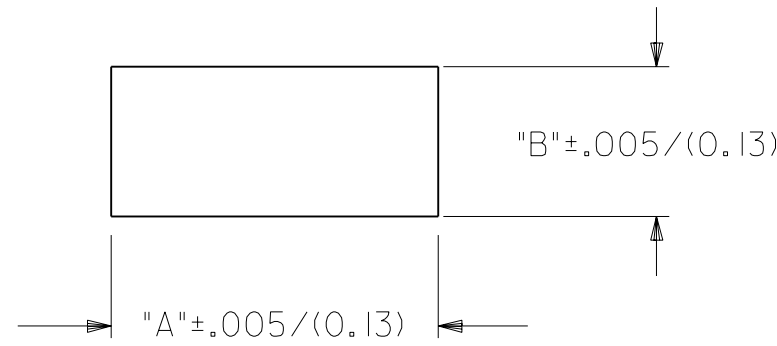
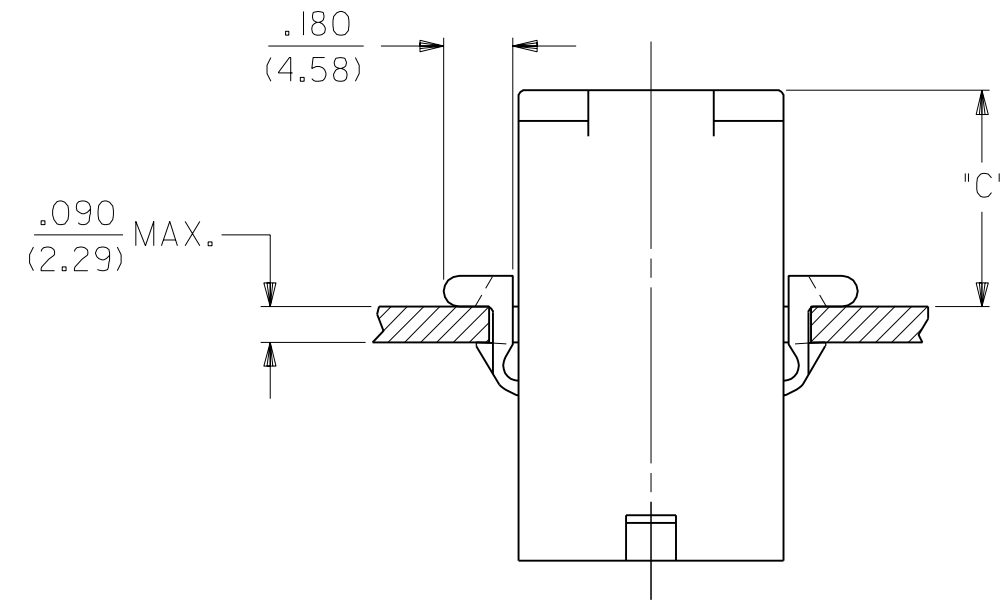


PLUG

DIMENSIONS SHOWN (METRIC) INCH		▽ = 0	▼ = 0	REVISE ONLY ON CAD SYSTEM
UNLESS OTHERWISE SPECIFIED TOLERANCES: ANGULAR ± 10°		TITLE		
		.125/(3.17) HOUSING, PLUG & RECEPTACLE, 2 CKT., .330/(8.38) CTR.		
		MOLEX INCORPORATED		
		LITSLLE, ILL. 60532 U.S.A.		
		SHEET NO. 2		DATE 7/26/88
		PART NO. SEE CHART		DRWG. NO. SD-42179-2*
		DRWG. BY GEP		CHK'D. BY RW
		APP'D. BY RAS		SCALE 2 : 1
LTR.	REVISIONS	LTR.	REVISIONS	

PLUG		
PART NO.	ENG. NO.	
03-12-2026	42179-2P1	
03-12-2025	42179-2P	
03-12-7021	42179-2PBK	OBSOLETE
03-12-7022	42179-2PIRD	OBSOLETE

RECEPTACLE		
PART NO.	ENG. NO.	
03-12-1026	42179-2R1	
03-12-6021	42179-2R1BK	OBSOLETE
03-12-6022	42179-2R1RD	OBSOLETE



RECOMMENDED HOLE CUTOUT

HOUSING	DIM. "A"	DIM. "B"	DIM. "C"
PLUG	.851/(21.62)	.440/(11.18)	.57/(14.5)

LEGEND:

42179-2****-*

CIRCUIT SIZE: _____
 HOUSING TYPE: _____
 P = PLUG
 R = RECEPTACLE
 MOUNTING EAR OPTION: _____
 BLANK = WITH PREBENT EARS, PLUG ONLY
 I = WITHOUT EARS

COLOR: _____
 BLANK = 94V-2: TRANSLUCENT NATURAL COLOR
 AM=AMBER BK=BLACK BU=BLUE
 BN=BROWN GY=GRAY GN=GREEN
 OR=ORANGE RD=RED YW=YELLOW

MATERIAL: _____
 BLANK = NYLON 6/6, U.L. 94V-2

NOTES:

- PART ACCEPTS A MAXIMUM .250/(6.35) INSULATION DIA.
- FOR USE WITH MOLEX .125/(3.17) DIAMETER SERIES TERMINALS EXCEPT THE 1219/1220 SERIES.
- THIS PART IS THE SAME AS 42348-2 EXCEPT FOR POLARIZATION OF FIRST CIRCUIT.

REV.	BY	DATE	DESCRIPTION
F2			SEE SHEET I
F1			SEE SHEET I
F			SEE SHEET I
D			SEE SHEET I
H	SEE SHEET I	B	SEE SHT. I
GI	SEE SHEET I	A	SEE SHT. I
G	SEE SHEET I	I	SEE SHT. I
LTR.	REVISIONS	LTR.	REVISIONS

DIMENSIONS SHOWN (METRIC) INCH	
UNLESS OTHERWISE SPECIFIED TOLERANCES: ANGULAR ± 0.1°	
INCH	METRIC
3 PLACE ± .007	---
2 PLACE ± .010	± 0.18
1 PLACE ---	± 0.25

DRAFT WHERE APPLICABLE MUST REMAIN WITHIN DIMENSIONS

▽ = 0 ▼ = 0 REVISE ONLY ON CAD SYSTEM

TITLE: .125/(3.17) HOUSING, PLUG AND RECEPTACLE, 2 CKT., .330/(8.38) CTR.

MOLEX INCORPORATED LITSLIE, ILL. 60532 U.S.A.

SHEET NO. 3 DATE 7/26/88

PART NO. SD-42179-2* DRWG. NO.

SEE CHART

FILE NAME: S421792X3 DGN

THIS DRAWING CONTAINS INFORMATION THAT IS PROPRIETARY TO MOLEX INC. AND SHOULD NOT BE USED WITHOUT WRITTEN PERMISSION.

DIV. CP SIZE C

42179

A