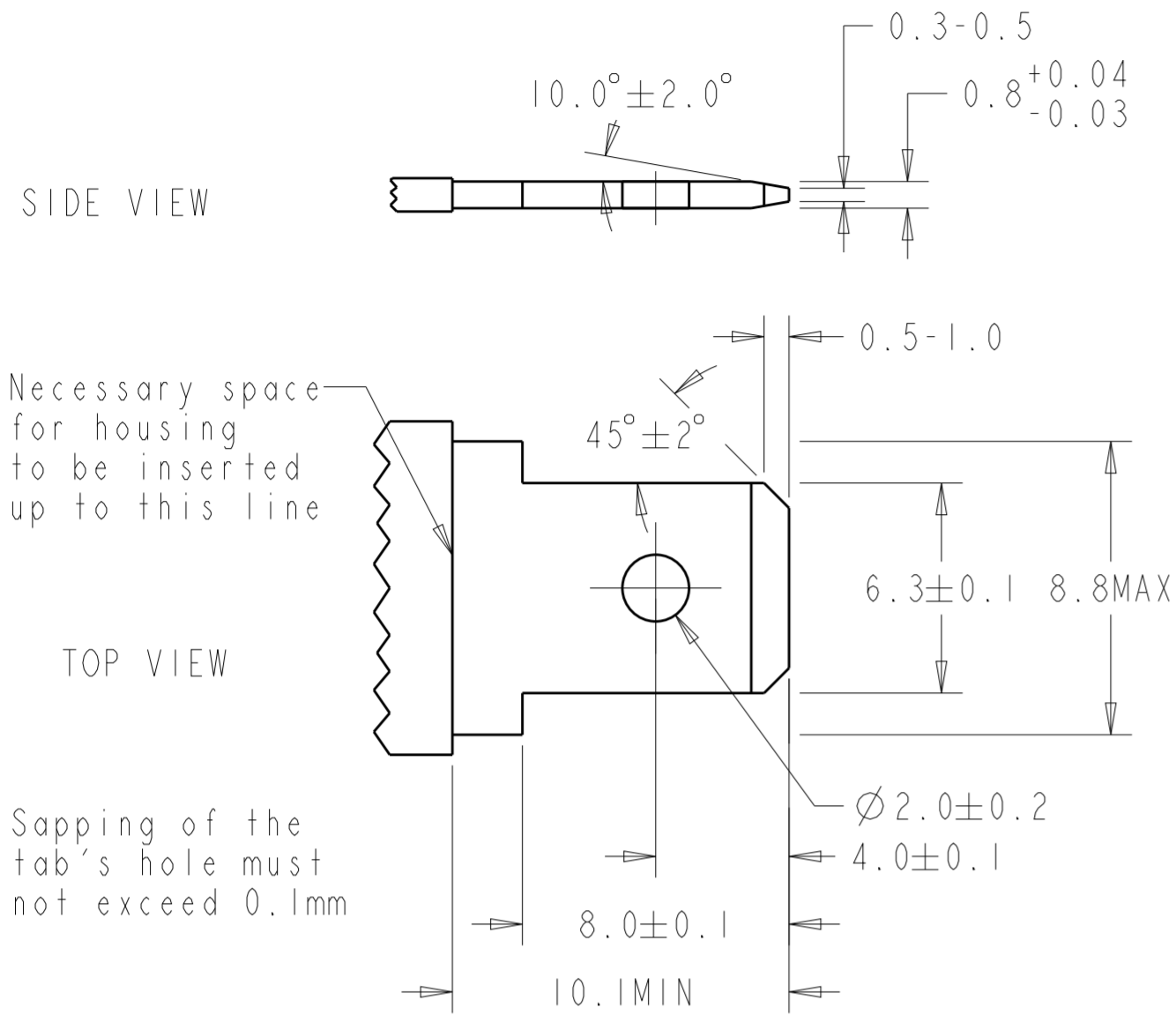
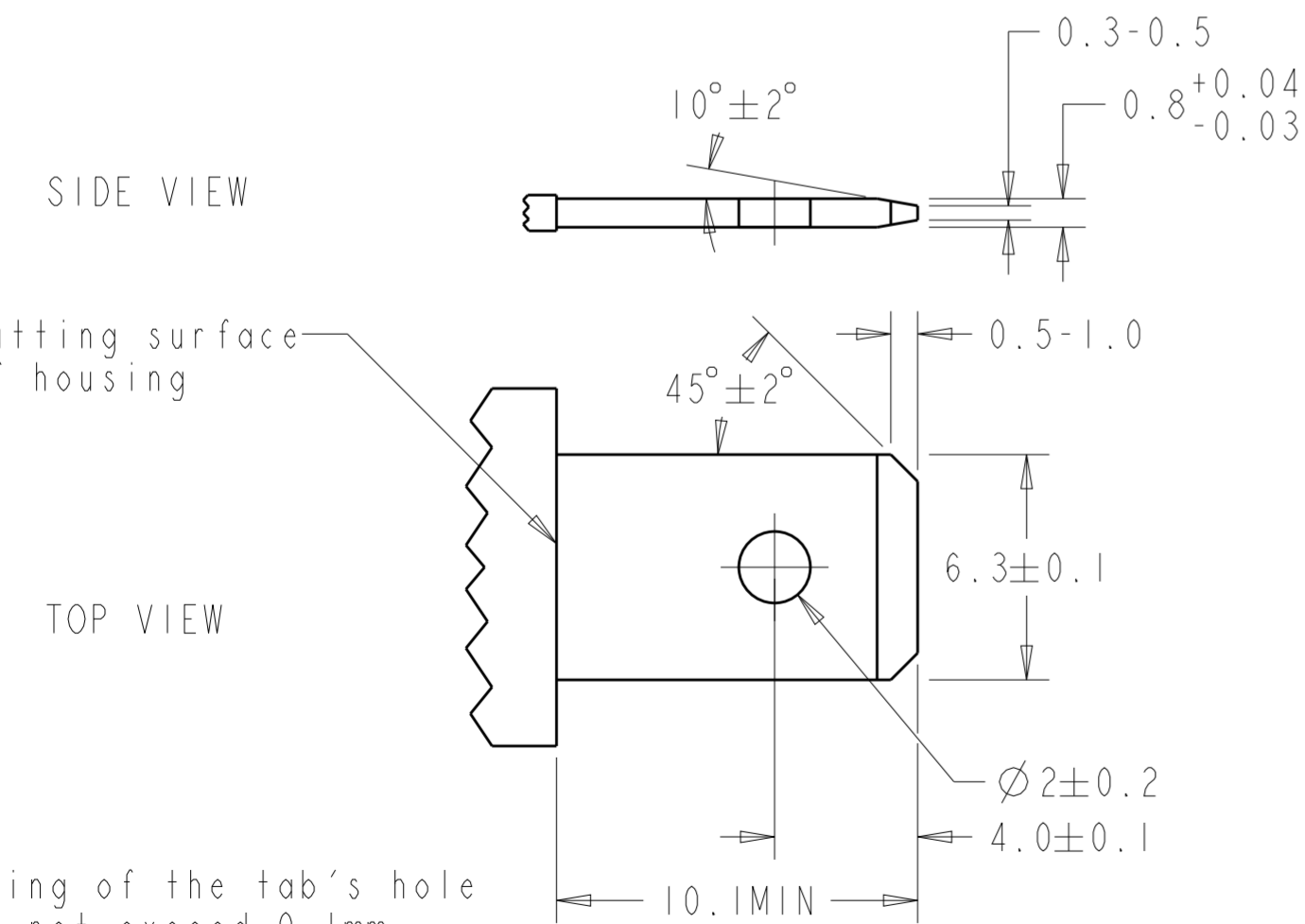


SUGGESTED MATING TAB



TYPE A (When using tab shoulder for butting)

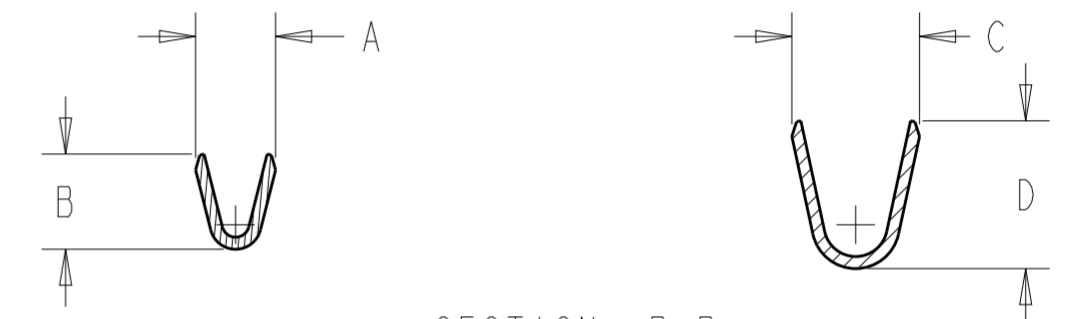
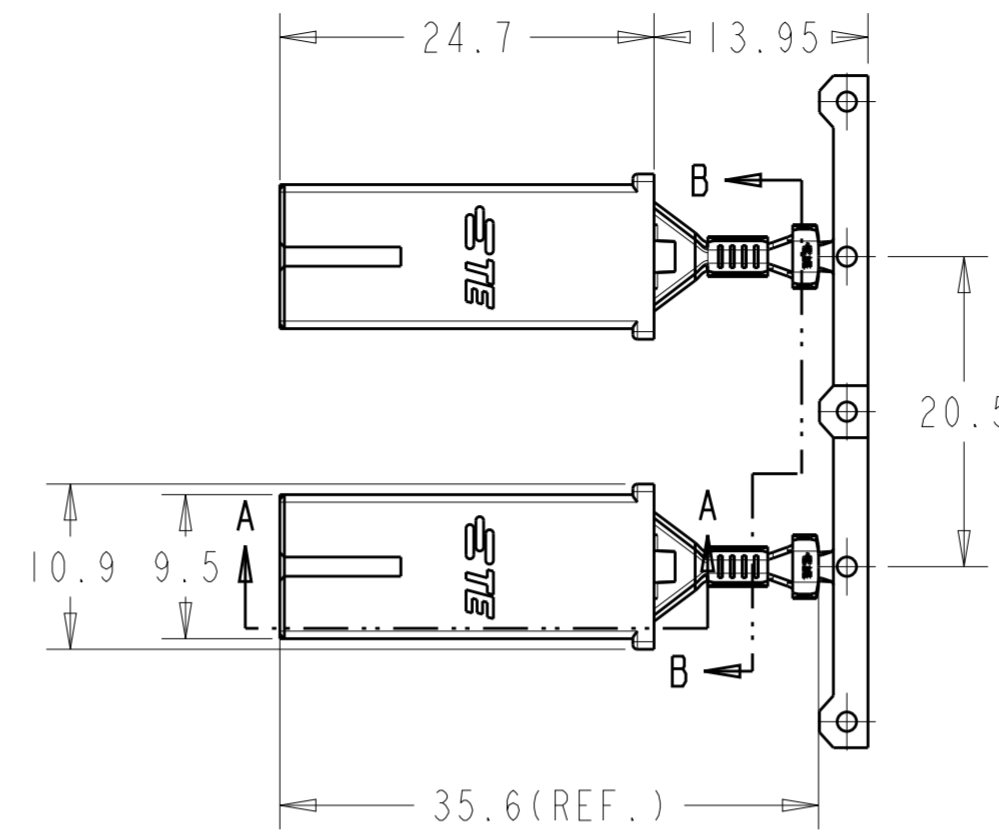


TYPE B (When using resin, etc. for butting)

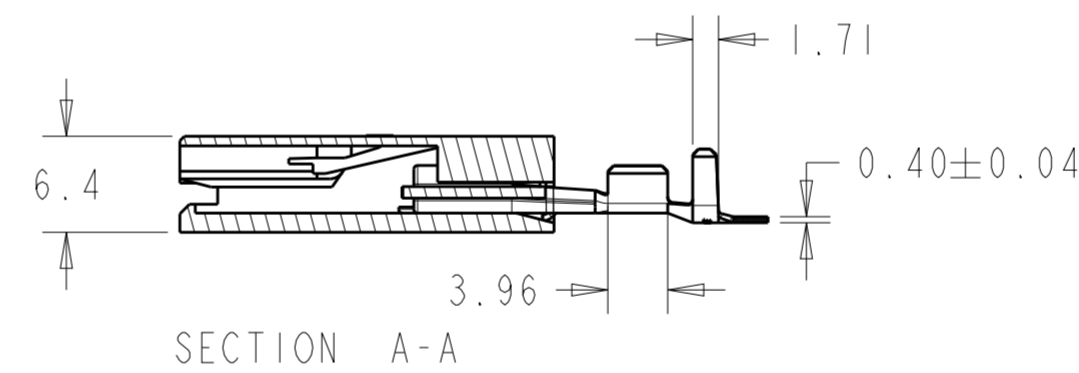
REVISIONS				
P	LTR	DESCRIPTION	DATE	APVD
A5		ECR-18-009174	13JUN18	L.P. T.D

NOTE:

1. HOUSING MATERIAL, NYLON 6/66, GLASS-FIBRE. UL94V-0.
2. GWT 750°C VERSION, ACCORDING TO IEC 60335-1.
3. CONTACT MATERIAL, TIN PLATED BRASS.



SECTION B-B
SCALE 4:1



5.8REF.	6.2	4.5REF.	4.5	3.40-5.08	14-12	2299282-3
4.9REF.	5.3	3.9REF.	3.5	3.0-4.0	18-14	2299282-2
4.9REF.	4.2	3.1REF.	2.6	2.2-3.0	22-18	2299282-1
DIM D	DIM C	DIM B	DIM A	INSULATION (mm)	WIRE SIZE (AWG)	P/N

THIS DRAWING IS A CONTROLLED DOCUMENT.

DIMENSIONS:	TOLERANCES UNLESS OTHERWISE SPECIFIED:	DWN	14NOV2016
mm	0 PLC ±	CHK	14NOV2016
	1 PLC ±0.3	APVD	14NOV2016
	2 PLC ±0.25	NAME	POD-LOK 250 STR.ASSY.
	3 PLC ±	PRODUCT SPEC	108-106262
	4 PLC ±	APPLICATION SPEC	114-106262
MATERIAL	ANGLES ±	WEIGHT	-
	FINISH ±	CUSTOMER DRAWING	SCALE 5:1 SHEET 1 OF 1 REV A5

STE TE Connectivity