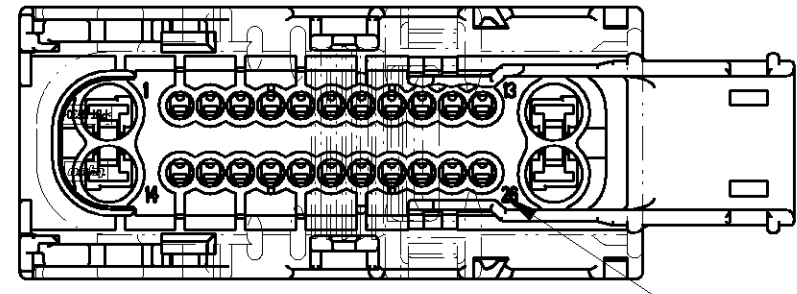
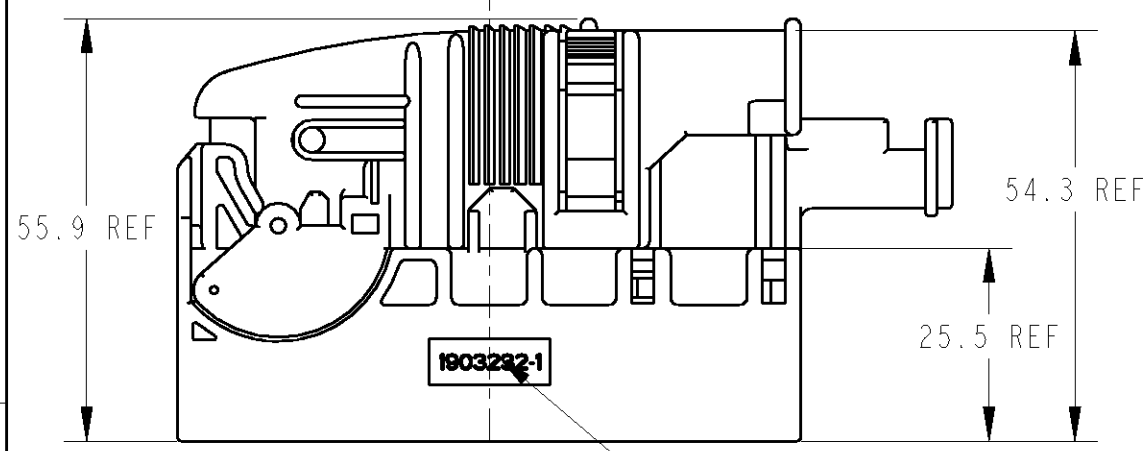


THIS DRAWING IS UNPUBLISHED. RELEASED FOR PUBLICATION 20
 © COPYRIGHT 20 BY TYCO ELECTRONICS CORPORATION. ALL RIGHTS RESERVED.

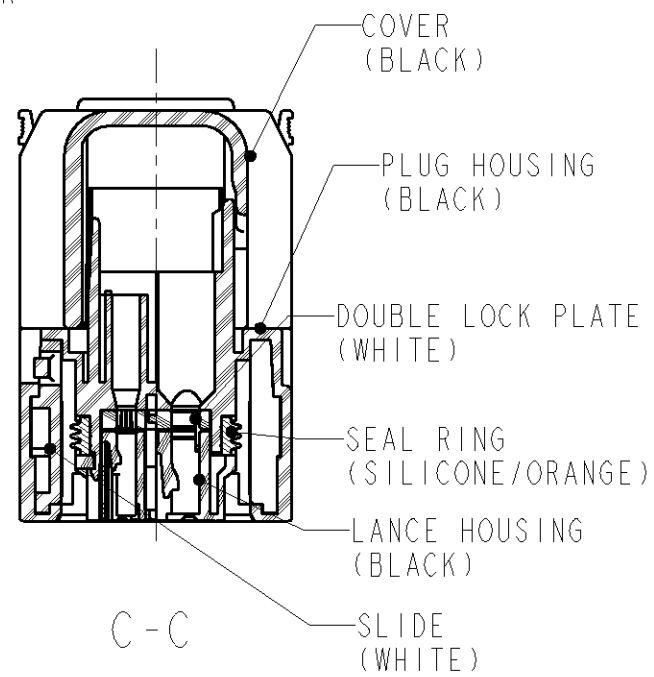
LOC	DIST	REVISIONS						
		P	LTR	DESCRIPTION	ECN	DATE	DWN	APVD
J	-		C	REVISED	ECR-07-014061	13JUN2007	Y.T	Y.N



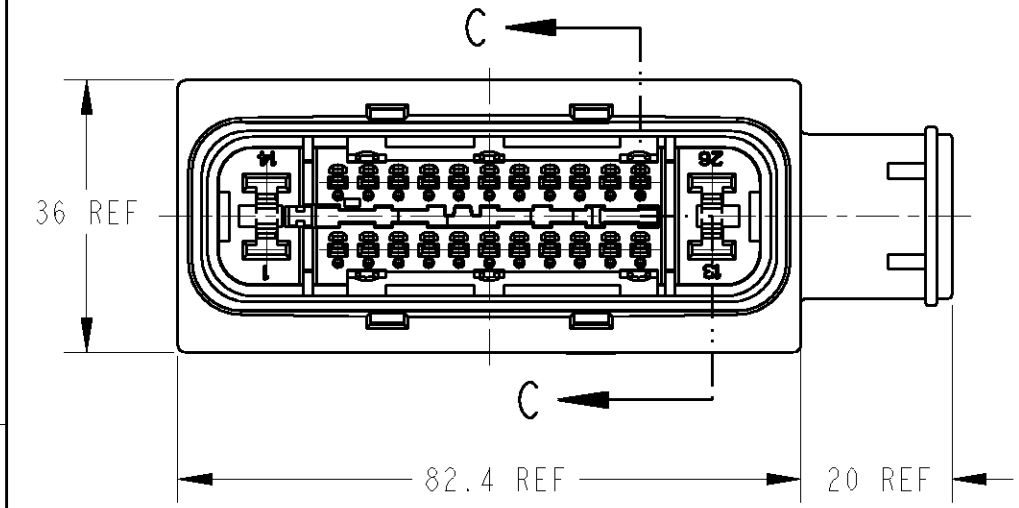
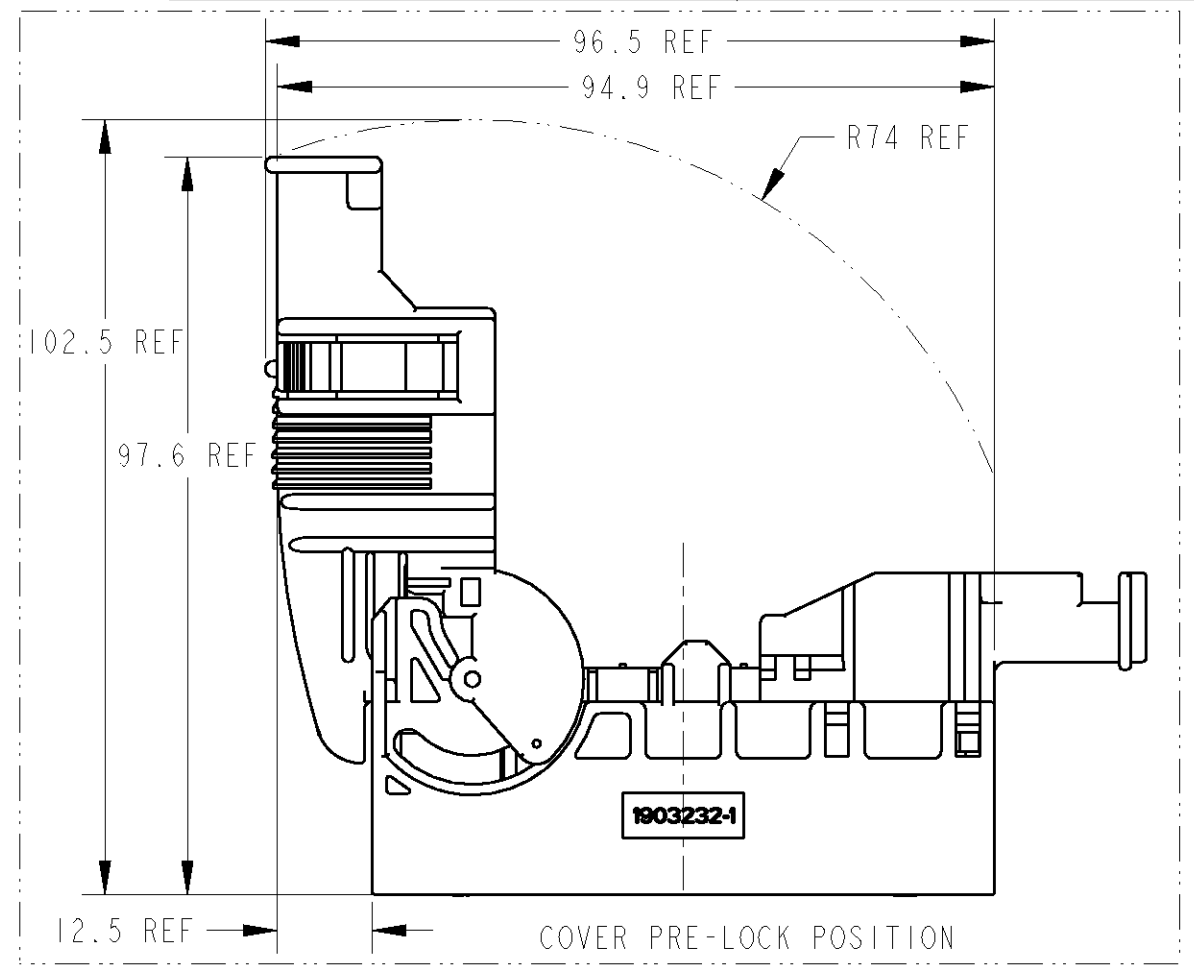
CIRCUIT NUMBER



PRODUCT NUMBER



C-C

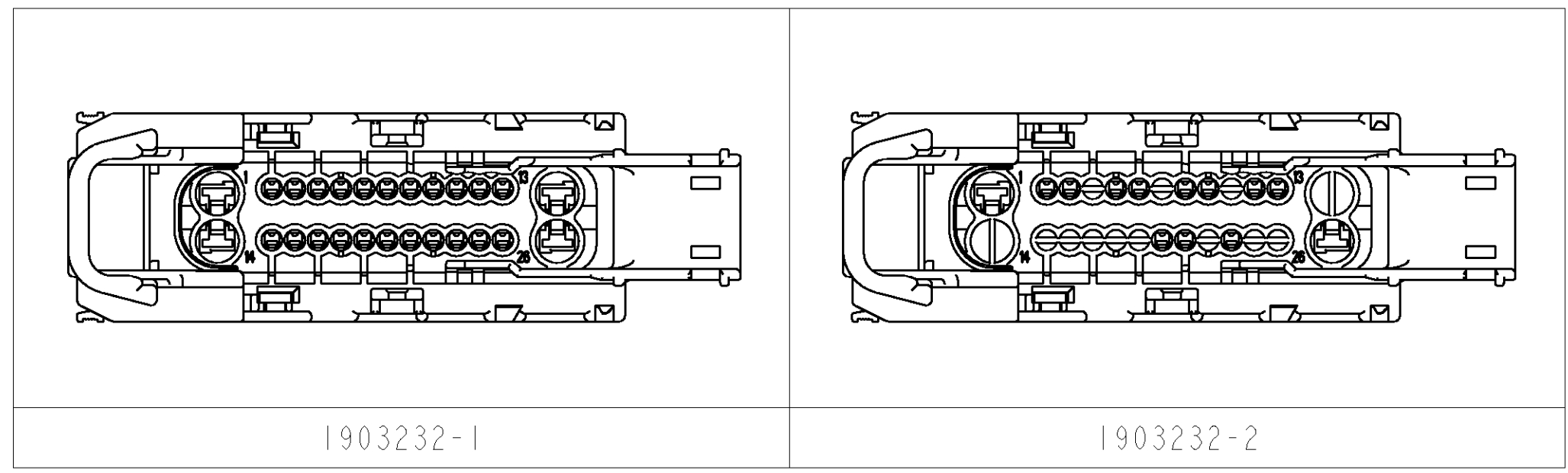


- APPLIED TERMINAL ;
 1.5mm CONTACT - PN900293-1, 1717173-1(CIRCUIT NO:2-12,15-25)
 4.8mm CONTACT - RECOMEND TERMINAL MADE BY YAZAKI (CIRCUIT NO:1,13,14,26)
 - MATING WITH CAP HOUSING SMOOTHLY.
 CAP HOUSING PRODUCT NUMBER ; 00290281/01 (MADE BY CONTINENTAL TEVES)
 - CLOSED CAVITY PATTERN ; SEE SHEET 2 OF 2.
- 適用端子型番 ;
 1.5mm 端子 - PN900293-1, 1717173-1(回路番号 NO:2-12,15-25)
 4.8mm 端子 - 推奨端子 矢崎社製 (回路番号 NO:1,13,14,26)
 - 相手ハウジングと支障なく嵌合出来ること。
 嵌合相手型番 ; 00290281/01 (コンティネンタル・テーブス社製)
 - キャビ埋めパターン ; シート2 OF 2 参照。

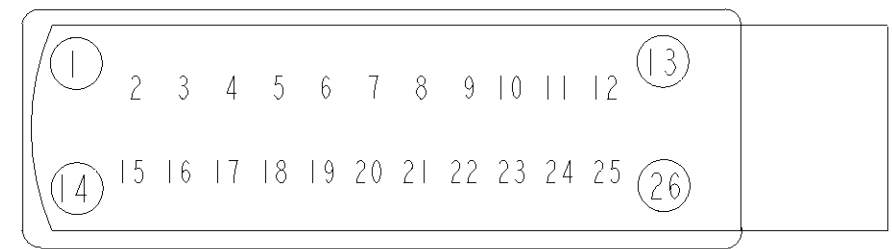
<small>THIS DRAWING IS A CONTROLLED DOCUMENT FOR TYCO ELECTRONICS CORPORATION IT IS SUBJECT TO CHANGE AND THE CONTROLLING ENGINEERING ORGANIZATION SHOULD BE CONTACTED FOR THE LATEST REVISION.</small>		DWN K.SHIGA 20DEC05 CHK Y.NOGUCHI 20DEC05 APVD Y.FUJIWARA 20DEC05		Tyco Electronics Corporation Kawasaki, Japan	
DIMENSIONS: 単位: 概 mm		TOLERANCES UNLESS OTHERWISE SPECIFIED: 一般公差 ±0.3 0-PLC ± 1-PLC ±0.5 2-PLC ±0.13 3-PLC ±0.013 4-PLC ±0.000J ANGLES ±1.00'		NAME 名称 1.5/4.8 ABS CONNECTOR PLUG HOUSING ASSEMBLY 26POSITION H-TYPE	
MATERIAL 材料 PBT		FINISH 仕上 BLACK		PRODUCT SPEC 108-78411 APPLICATION SPEC 114-5126, -5216 WEIGHT 87.5 g	
CUSTOMER DRAWING				SIZE A3 CAGE CODE 00779 DRAWING NO 1903232 RESTRICTED TO	
SCALE 尺度				SHEET 1 OF 2 REV C	

THIS DRAWING IS UNPUBLISHED. RELEASED FOR PUBLICATION 20
 © COPYRIGHT 20 BY TYCO ELECTRONICS CORPORATION. ALL RIGHTS RESERVED.

LOC	DIST	REVISIONS				
P	LTR	変更		DATE	DWN	APVD
		DESCRIPTION				
J	-	-	SEE SHEET 1	-	-	-



			X			X			X			X	X	X	X	X			X			X	X					13 POSITION	PLUG HOUSING ASSEMBLY	1903232-2	
																													26 POSITION	PLUG HOUSING ASSEMBLY	1903232-1
1	2	3	4	5	6	7	8	9	10	11	12	13	14	15	16	17	18	19	20	21	22	23	24	25	26	POSITION	NAME	PRODUCT NO			
CAVITY POSITON NUMBER(X SHOW CLOSED CAVITY)																										極数	名称	製品番号			



VIEW TO WIRE END
 ○; 4.8 TERMINAL POSITINS

FIG. 1
 1.5/4.8 PLUG HOUSING ASSEMBLY 26 POSITIONS H-TYPE CIRCUIT LAYOUT
 1.5/4.8 26極プラグハウジングアセンブリ Hタイプ 回路番号構成

THIS DRAWING IS A CONTROLLED DOCUMENT FOR TYCO ELECTRONICS CORPORATION IT IS SUBJECT TO CHANGE AND THE CONTROLLING ENGINEERING ORGANIZATION SHOULD BE CONTACTED FOR THE LATEST REVISION.		DWN 16 JAN06 S. SAKAGUCHI	Tyco Electronics Corporation Kawasaki, Japan			
DIMENSIONS: 単位: 概 mm	TOLERANCES UNLESS OTHERWISE SPECIFIED: 一般公差 0 PLC ±- 1 PLC ±0.5 2 PLC ±0.13 3 PLC ±0.013 4 PLC ±0.000J ANGLES ±1.00'	CHR - APVD - PRODUCT SPEC 製品規格 APPLICATION SPEC 取付適用規格	NAME 名称 1.5/4.8 ABS CONNECTOR PLUG HOUSING ASSEMBLY 26POSITION H-TYPE			
MATERIAL 材料 -	FINISH 仕上 -	WEIGHT -	SIZE A3	CAGE CODE 00779	DRAWING NO 番号 1903232	RESTRICTED TO
CUSTOMER DRAWING			SCALE 尺度 1:1	SHEET 2 OF 2	REV C	