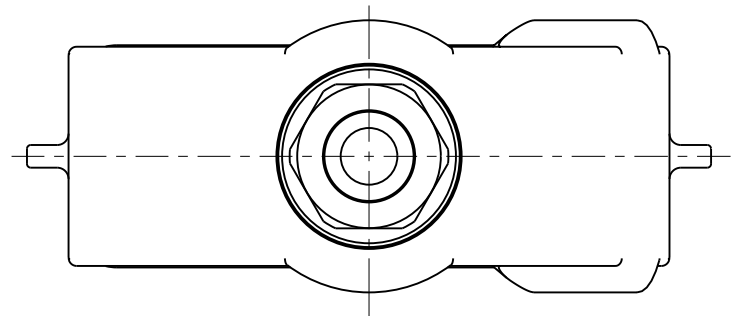
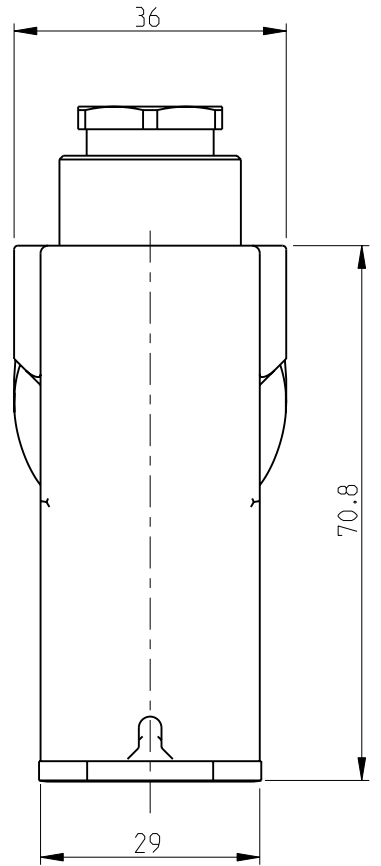
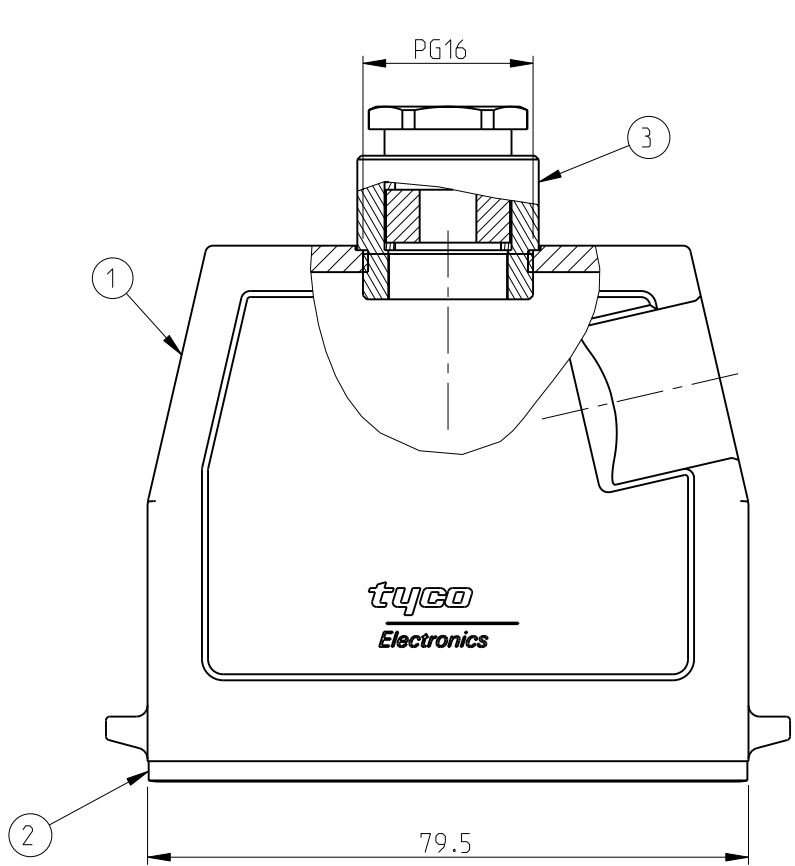


THIS DRAWING IS UNPUBLISHED. RELEASED FOR PUBLICATION 2000

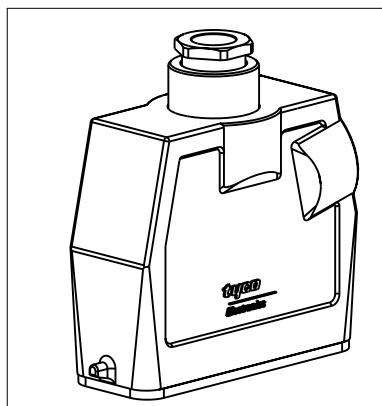
© COPYRIGHT 2000 BY TYCO ELECTRONICS CORPORATION. ALL RIGHTS RESERVED.

LOC	DIST	REVISIONS					
A1	-	P	LTR	DESCRIPTION	DATE	DWN	APVD
		C2		RELEASED AS PER ECR-09-005170	05.MAR.2009	GG	TS



- NOTES:
- 1 MATERIAL: SEE TABLE
  - 2 COLOR: SEE TABLE
  - 3 VARNISH ON THE INSIDE NOT NECESSARY
  - 4 PACKAGING QUANTITY: 5 PIECES PER BOX

PN 1-7 AS SHOWN



SCALE 1:2

1	CABLE FITTING ROUND	BRASS	NICKEL PLATED	BLUE	3	Pg16
1	PROFILE SEAL	NEOPRENE		BLACK	2	
1	HOOD HD.25-PG THREADS	ALUMINIUM		GREY	1	
1-7	DESCRIPTION	MATERIAL	SURFACE	COLOR	ITEM NO.	REMARKS
ORDERING TEXT HD25.STO.1.16.						

<small>THIS DRAWING IS A CONTROLLED DOCUMENT FOR TYCO ELECTRONICS CORPORATION IT IS SUBJECT TO CHANGE AND THE CONTROLLING ENGINEERING ORGANIZATION SHOULD BE CONTACTED FOR THE LATEST REVISION.</small>		DWN S.KUMAR 4/20/2006 CHK P.BENNUR 4/20/2006 APVD T.SCHNURPFEL 4/20/2006		<b>Tyco Electronics</b> Tyco Electronics,AMP.GmbH 53757,SanktAugustin,Germany	
DIMENSIONS: mm		TOLERANCES UNLESS OTHERWISE SPECIFIED: 0 PLC ± 1 PLC ± 2 PLC ± 3 PLC ± 4 PLC ± ANGLES ±		NAME <b>HOOD HD25.STO.1.16</b>	
MATERIAL 1		FINISH 2		PRODUCT SPEC - APPLICATION SPEC - WEIGHT -	
CUSTOMER DRAWING				SIZE A3 CAGE CODE 00779 DRAWING NO C-1102534	RESTRICTED TO - SCALE 1:1 SHEET 1 OF 1 REV C2