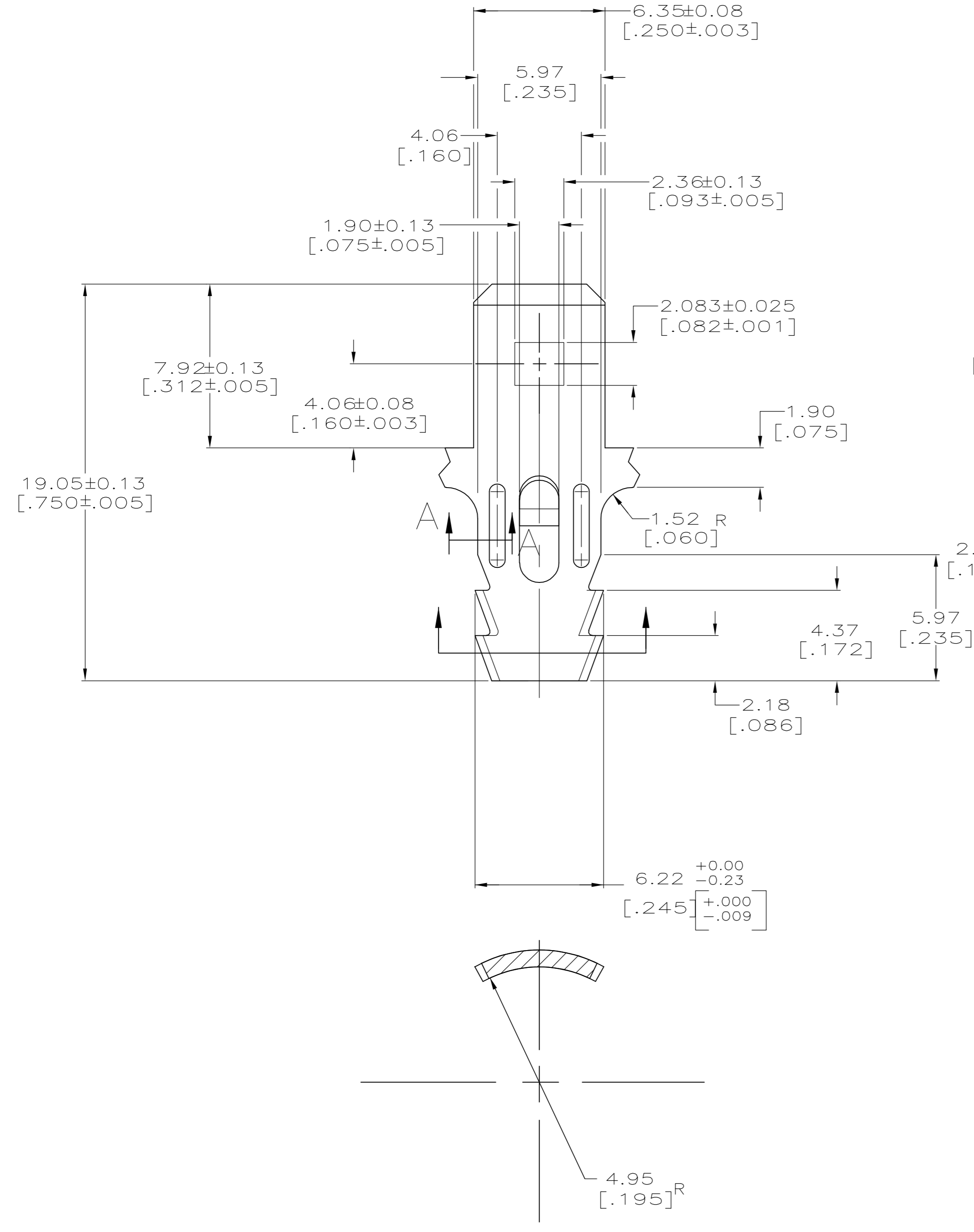
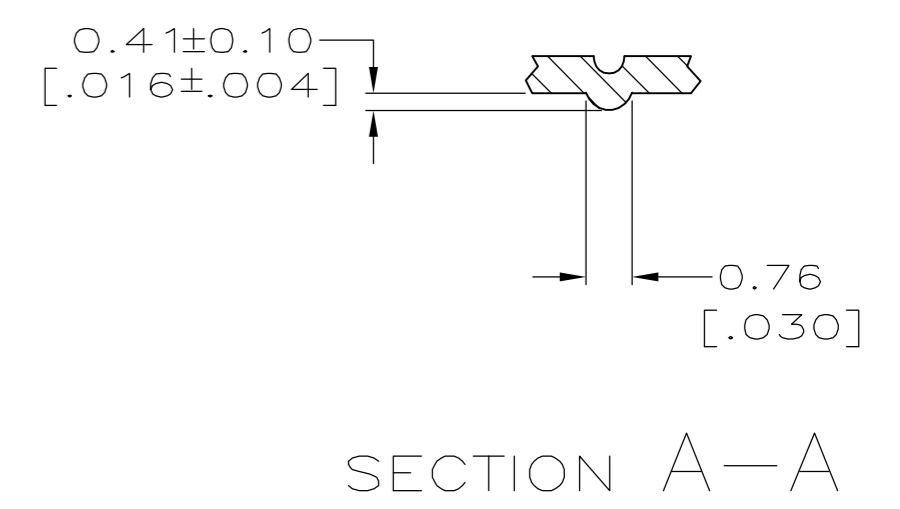
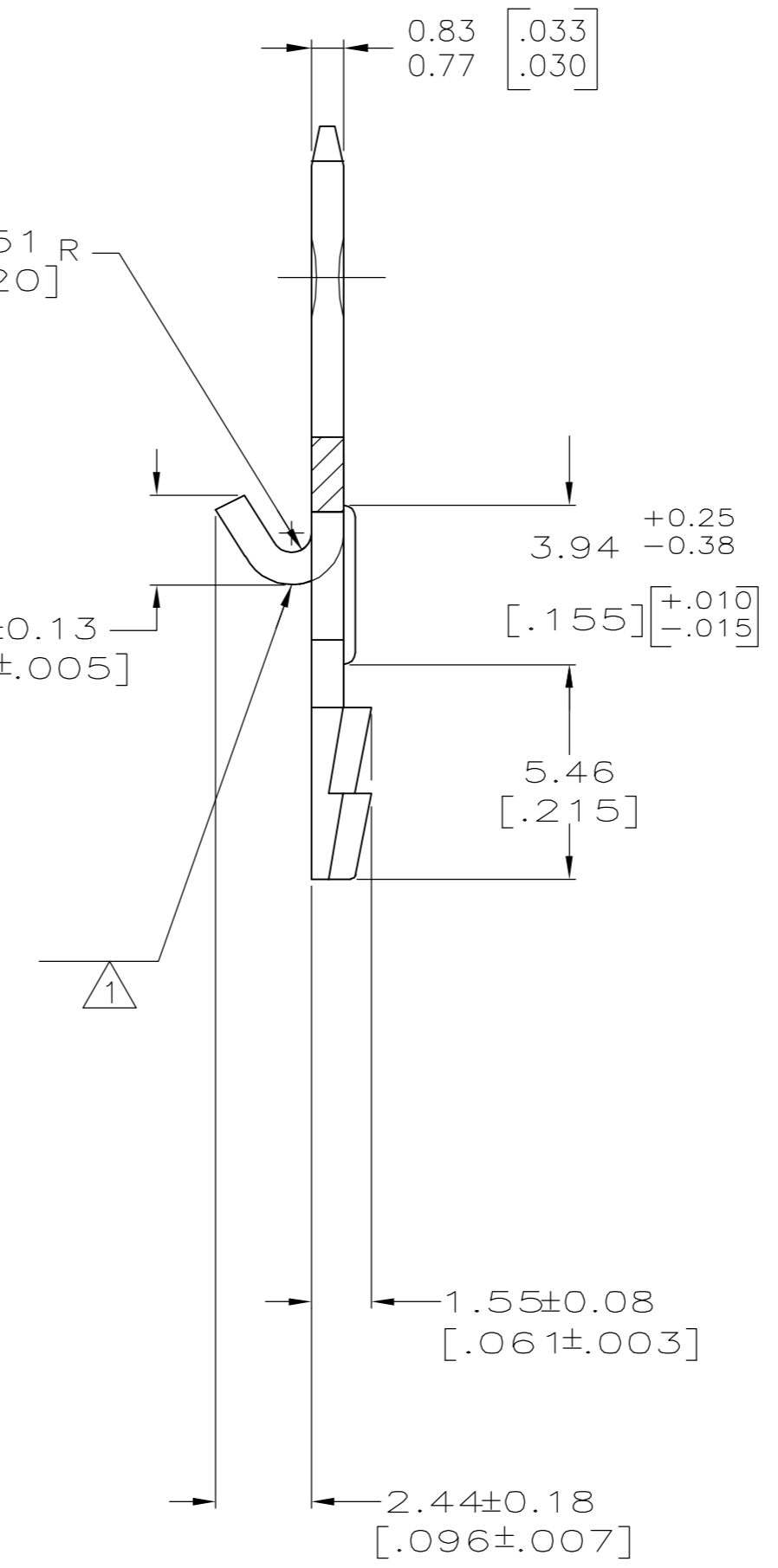


THIS DRAWING IS UNPUBLISHED. RELEASED FOR PUBLICATION
 © COPYRIGHT BY TYCO ELECTRONICS CORPORATION. ALL RIGHTS RESERVED.

| LOC | DIST | REVISIONS | | | |
|-----|------|-------------|-----------------------|---------|-------|
| P | LTR | DESCRIPTION | DATE | DWN | APVD |
| AF | 50 | D | REV PER ECR 05-017561 | 24MAR06 | JR KR |



- 1 TANG MUST NOT BREAK WHEN BENT FLAT.
- 2 CONTINUOUS STRIP ON REEL.
- 3 0.002032 [.000080] MIN TIN



| | |
|------------|-------------|
| RIGHT HAND | 63911-2 |
| LEFT HAND | 63911-1 |
| REELING | PART NUMBER |

| | | | | |
|--|--|--|---|--|
| THIS DRAWING IS A CONTROLLED DOCUMENT. | | DWN 06/JUN/96 PHILLIP M. FORTNEY | Tyco Electronics Corporation Harrisburg, PA 17105-3608 | |
| DIMENSIONS: mm | | CHK 06/JUN/96 JEFF R. RUTH | NAME: TERMINAL, BOBBIN TAB | |
| TOLERANCES UNLESS OTHERWISE SPECIFIED: | | APVD 06/JUN/96 DON DECKER | PRODUCT SPEC | |
| 0 PLC ± - | | APPLICATION SPEC | | |
| 1 PLC ± - | | WEIGHT - | | |
| 2 PLC ± 0.25 [.010] | | SCALE 6:1 | | |
| 3 PLC ± - | | SHEET 1 of 1 | | |
| 4 PLC ± - | | REV D | | |
| ANGLES ± - | | CUSTOMER DRAWING | | |
| FINISH - 3 | | SIZE A2 CAGE CODE 00779 DRAWING NO C=63911 RESTRICTED TO - | | |
| MATERIAL 082 BRASS | | SCALE 6:1 SHEET 1 of 1 REV D | | |