



Technical specification:

Rated voltage: 4pos
IEC 61076-2-101 250 V

Current rating: 4 A at 40°C
IEC 61076-2-101

Insulation resistance: >=100 MΩ
IEC 60512

Pollution degree: 3/2
IEC 60664-1

Degree of protection: IP 67, in mated condition
IEC 60529

Temperature range: -30°C ... +80°C
IEC 60664-1

Mating cycles: >=100
IEC 60512-9a

Materials:

Contact: CuZn
Contact plating: Nickel, gold plated
Contact carrier: TPU GF, UL 94
Sealing: FPM
Coupling nut/
screw: GD-Zn, nickel plated
Moulding body: TPU, UL 94, grey

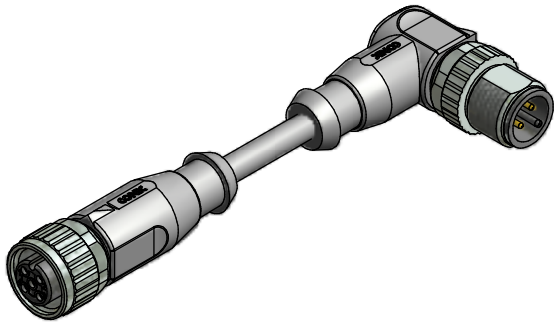
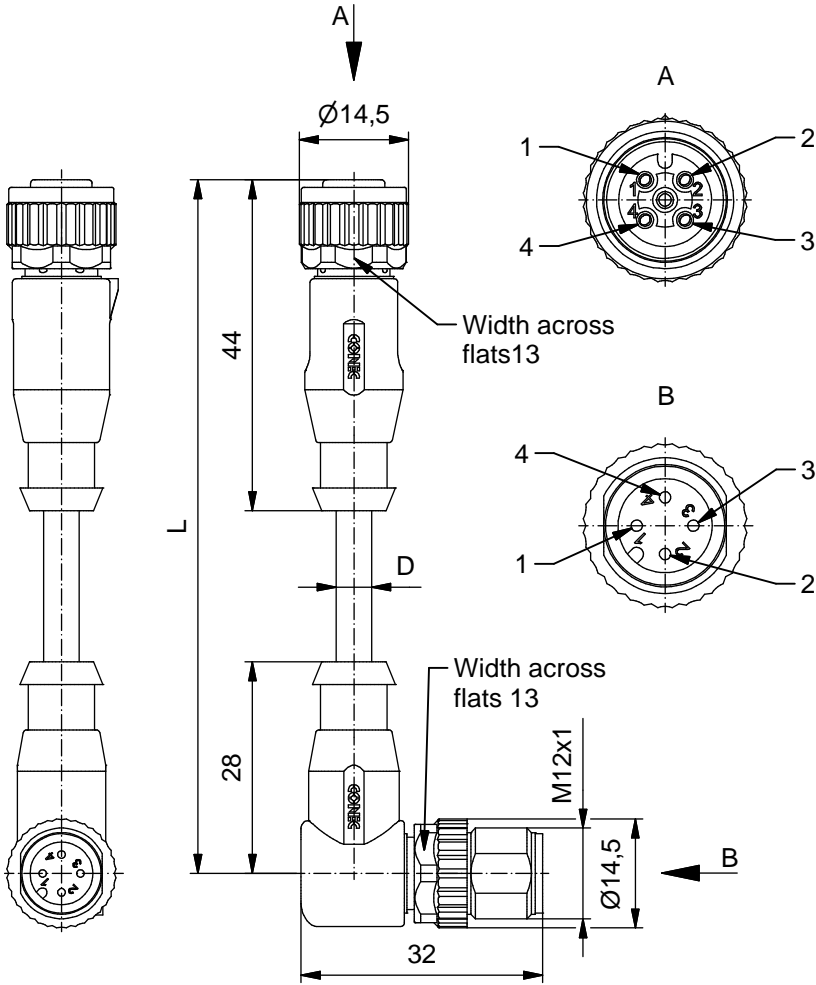
Installation specification:

Recommended torque: 0,6 Nm

Conec installation tool: Torque wrench: 36-000200
Insert across flats 13: 36-000220

Contact assignment:

- 1) brown
- 2) white
- 3) blue
- 4) black



| Part no: | Description: | Length L: | Cable: |
|----------|--|-----------|--|
| 43-14605 | SAL - 12 - RK4 - RSW4 - 0,3 / A1 / A1090 | 0,3m | PVC, grey, 4x0,34mm² Cable: 781-A13400 |
| 43-14606 | SAL - 12 - RK4 - RSW4 - 0,6 / A1 / A1090 | 0,6m | |
| 43-14607 | SAL - 12 - RK4 - RSW4 - 1,5 / A1 / A1090 | 1,5m | |
| 43-14608 | SAL - 12 - RK4 - RSW4 - 3,0 / A1 / A1090 | 3m | |
| 43-xxxxx | SAL - 12 - RK4 - RSW4 - ... / A1 / A1090 | x | |

D see data sheet cable

| | | | | | | |
|----------------------------------|-------------------------------------|---|-------|---|---------|-----------------------------|
| DO NOT ALTER CAD DRAWING BY HAND | Directive 2002/95/EC RoHS compliant | dim. in mm | | title: Connecting cable M12x1, female connector axial - male connector angled | | |
| | | date | name | | | |
| | | tolerance of cable: L ≤ 4m: L + 40mm L > 4m: L + 1% | drawn | 17.01.11 | Franz | dwg no: 43K1A1277 |
| | | THIS DRAWING MAY NOT BE COPIED OR REPRODUCED IN ANY WAY, AND MAY NOT BE PASSED ON TO A THIRD PARTY WITHOUT WRITTEN PERMISSION. OWNERSHIP AND COPYRIGHT OF CONEC GmbH | appd. | 17.01.11 | Mankopf | |

